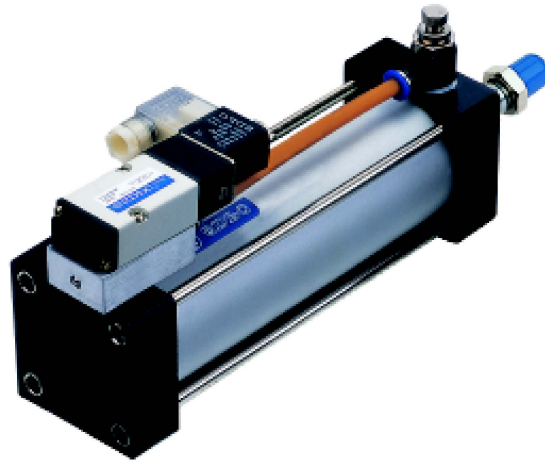


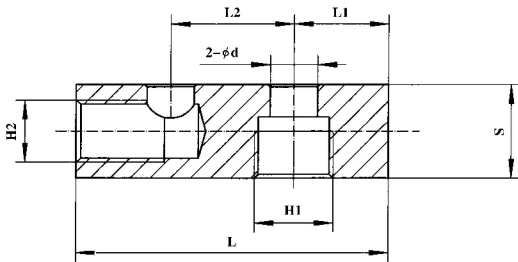
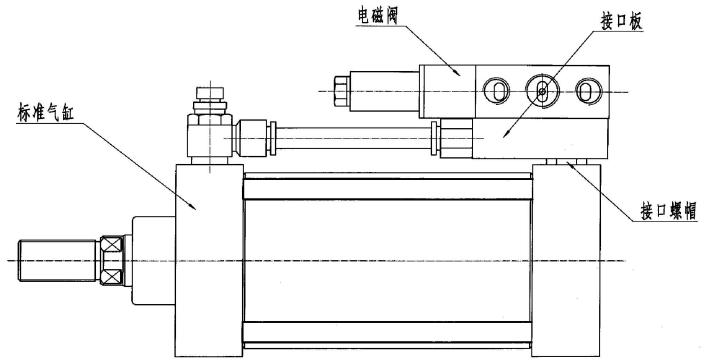
Cylinder with valve



Character:

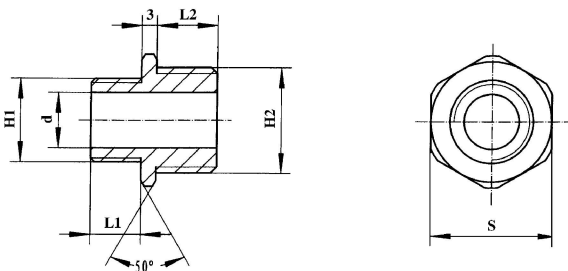
AVS assembly pedestal can directly set the valve on make one pneumatic working unit
 Attention:Min.stroke 100mm

Assembly example



AVS Joint panel

Type	bore optional	d	G1	G2	L	L1	L2	S	Solenoid Valve optional
AVS2	32,40,50	7	1/4"	1/4"	50	13.5	23	20	4M210、4M220、4M230
AVS3	63,80	10	3/8"	3/8"	66	20	26	20	4M310、4M320、4M330
AVS4	100 above	12	1/2"	1/2"	104	29	36	34	4M410、4M420、4M430



AVS Connector

No	H1	H2	d	L1	L2	S
AVSJ1	1/4"	1/8"	5	7	7	14
AVSJ2	1/4"	1/4"	9	7	7	14
AVSJ3	3/8"	3/8"	11	7	10	17
AVSJ4	1/2"	1/2"	12	14	14	22