

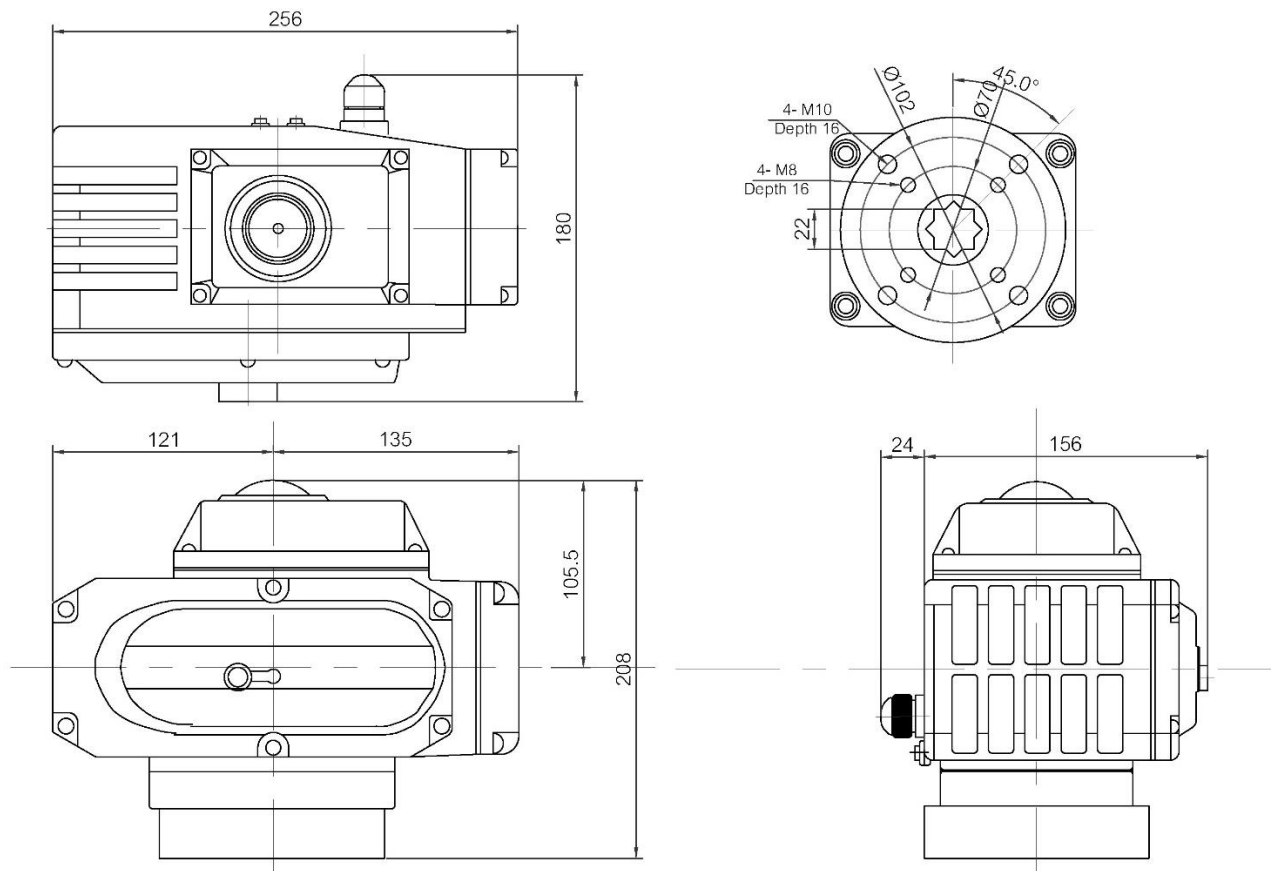


KL-20/40/60 แรงบิด 200/400/600 นิวตัน-เมตร

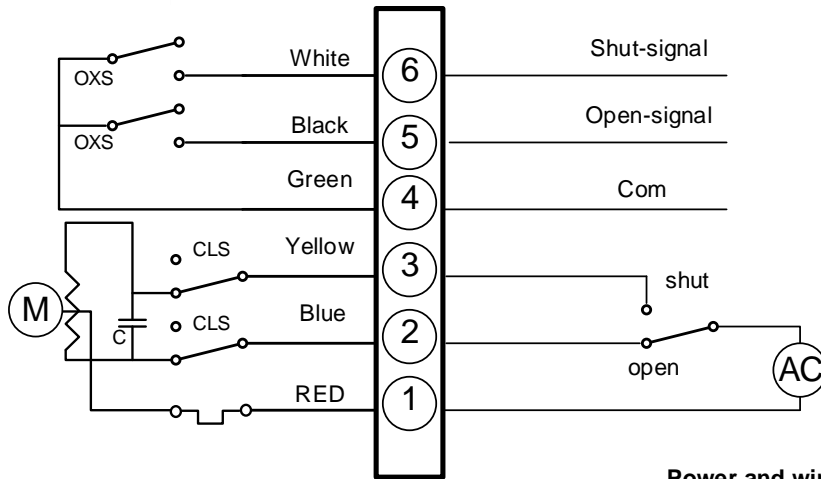
มอเตอร์ขับเคลื่อนวาล์วไฟฟ้า หรือหัวขับเคลื่อนวาล์วไฟฟ้า ออกแบบมา
สำหรับนำไปประกอบกับวาล์วในระบบท่อ เช่นนำไปติดตั้งร่วมกับ
วาล์วประเภท Quarter turn valve หรือวาล์วที่หมุน ¼ รอบ
เช่น Butterfly Valve, Ball Valve

KL-20/40/60 Performance Parameter

Model	KL-20					KL-40					KL-60				
	DC24	AC24	AC110	AC220	AC380	DC24	AC24	AC110	AC220	AC380	DC24	AC24	AC110	AC220	AC380
Power Supply(V)	DC24	AC24	AC110	AC220	AC380	DC24	AC24	AC110	AC220	AC380	DC24	AC24	AC110	AC220	AC380
Output Toque(Nm)	200					400					600				
Motion Time(S)	12	30/60				15	30/60				20	45/60			
Rotary Angle (°)	หมุนทำมุม 0-90°					หมุนทำมุม 0-90°					หมุนทำมุม 0-90°				
Motor Power(W)	40					70	90				90				
Rated Current(A)	1.2	7.5	1.6	0.88	0.4	2.5	9	2.2	1	0.48	2.5	9	2.2	1	0.5
Weight(kg)	8.7	9.3				8.8	10				8.8	10			
Insulation Resistance (MΩ)	DC24V: 100/250VDC AC110/220V/380V: 100/500VDC														
Voltage Resistance	DC24V: 500VAC AC110/220V: 1500VAC AC380V: 1800VAC. (1 Minute)														
Protection Class	IP68														
Installation Position	360-Degree Optional Direction														
Electrical Connection	M181.5 Water-proof Cable Connectors, Electric Power Wire, Signal Wire														
Ambient Temp.	-30°C - +60°C														
Circuit Control	S,D,A														
Optional Function	I. Over Torque Protectors II. Dehumidify Heater														

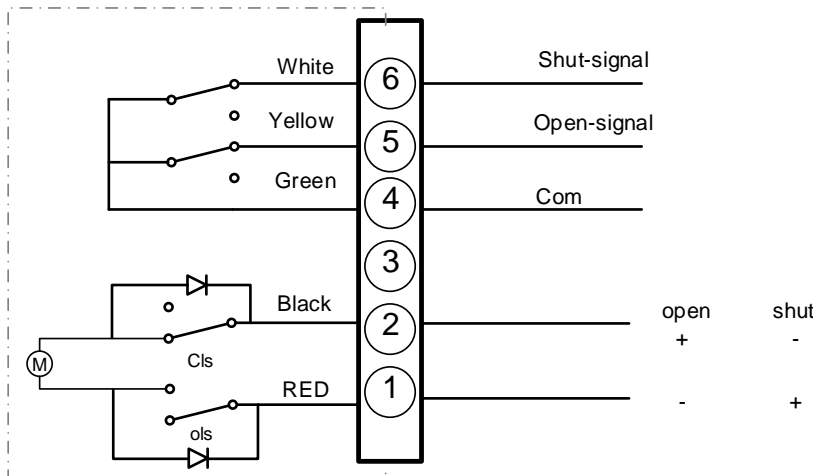
Dimension KL-20/40/60

S : Type 220 VAC



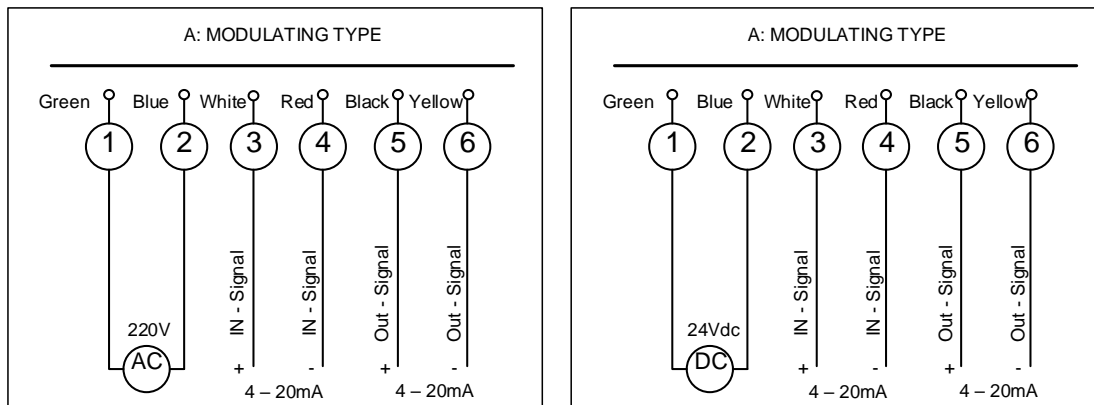
Power and wiring drawing 220VAC

D : Type 24 VDC



Power and wiring drawing DC24V

A : Type Supply 24VDC / 220VAC 4-20mA



A: MODULATING TYPE 4-20mA Control

Product Introduction

The Electric Actuator is distinguished by its special design, beautiful appearance, great performance and long-time operation. The rotary valve electric actuator will win customers' hearts by its supreme performance.

Powerful function: Modulating, proportional, on-off, and various output signally

Small Size: 35% smaller than other of the same kind;

Lightweight: 35% lighter than other of the same kind:

Beautiful Appearance: Die-casting aluminum alloy cover can prevent disturbance of electromagnetic;

Precision and Wear-resistance: Integration of worm wheel and output axle avoids the separation among keys and the forged brass alloy material is featured by high strength and good wear-resistance;

Safety Guarantee: Tested by AC 1500V and can withstand it; F-grade insulation motor guarantees safe operation;

Easy to Form Complete Set: 110 v, 220V, 380V alternate current and direct current are all available for simple connection;

Easy Application: No oil or point inspection is needed; waterproof, antirust and optional installation angle;

Protection Appliance: Double limits, over-hot protection, Over load protection;

Various Motion Time: 9s, 13s, 15s, 30s, 50s, 100s (Set Before Delivery);

Antirust and Anti-corrosion: Whole machine support, coupler and screws are made of stainless steel;

Intelligent Numerical Control: Intelligently control module is built in the actuator body so that there is no need to mount positioner. Digit setting and adjusting, highly accusation and self-diagnosis can be realized.