

Industrial Pressure Gauge

Bourdon Type (SS Case)

TP16

Special Features

Stainless Steel Case
Rugged Construction
Dry, Liquid Filled or Dry, but fillable
Brass/Copper Alloy Wetted Parts

Applications

Oil, Water, Pneumatics, Hydraulics, Pump, Compressors,
Diesel Engines and Gaseous/ Liquid media that will not
obstruct the pressure system.



STANDARD VERSION

Nominal Size: 40mm
50mm
63mm
80mm
100mm

Accuracy class	1,6 (For NS 63, 80 & 100 mm) & 2,5 (For NS 40 & 50 mm)
Ambient temperature	- 20°C to + 65°C
Process temperature	Max 120°C
Operating pressure range	75 % of scale value
Over pressure limit	≤ 100 bar : 125% of Max. scale value > 100 to ≤ 600 bar : 115% of Max. scale value > 600 to ≤ 1600 bar : 110% of Max. scale value
Case & Bezel	AISI 304 SS (Rolling type)
Bourdon	Copper alloy up to 280 kg/cm ² AISI 316L SS for above 280 kg/cm ²
Socket	Copper alloy
Movement	Copper alloy
Joints	Alloy brazing / soldering
Protection	IP 65
Dial	Aluminium, black graduation on white background
Pointer	Black coloured, fixed
Window	Plexi glass
Filling plug	Neoprene
Gasket	Neoprene / silicon rubber

DRY BUT FILLABLE VERSION

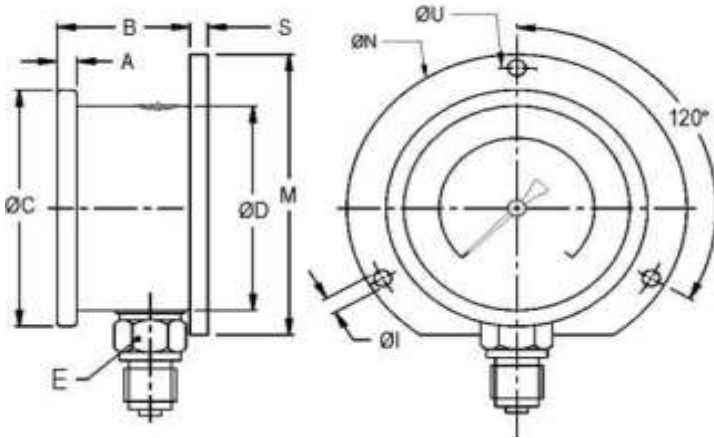
Fillable dampening liquid	Glycerine 98%
Process temperature	Maximum 65°C
Other features	Refer specification of standard version

GLYCERINE FILLED VERSION

Accuracy	1.6 (For NS 63, 80 & 100 mm) & 2.5 (For NS 40 & 50 mm)
Ambient temperature	Maximum 65°C
Process temperature	Maximum 65°C
Window	Plexi glass
Dampening liquids	Glycerine 98%
Other features	Refer specification of standard version

DIMENSIONS - STANDARD VERSION

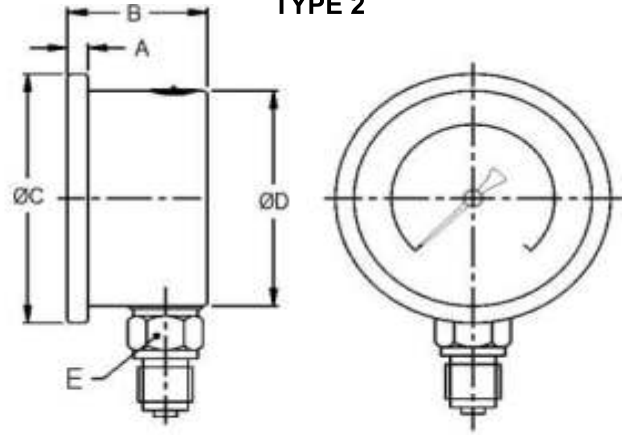
TYPE 1



ROLLING TYPE (STANDARD)

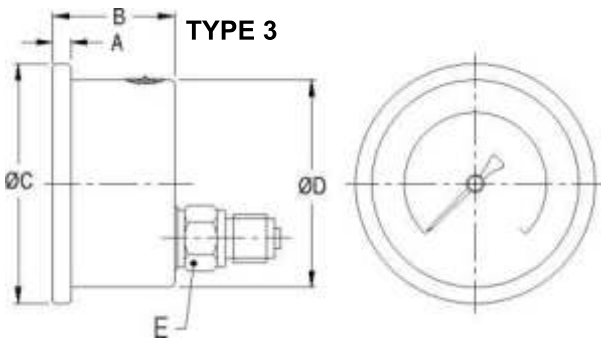
NS	A	B	ØC	ØD	E	S	ØN	ØI	ØU	M	Weight in gram (With Box)
63	6.5	30	68	62.5	A/F 14	5	88	5	76	80	195.0
100	7	35.5	110	100	A/F 17	6	134	6	118	128	465.0

TYPE 2



ROLLING TYPE (STANDARD)

NS	A	B	ØC	ØD	E	Weight in gram (With Box)
40	5	25	43	41	A/F 14	88.0
50	5	29	57	51.5	A/F 14	125.0
63	6.5	30	68	62.5	A/F 14	155.0
100	12.5	39	110	100	A/F 17	390.0

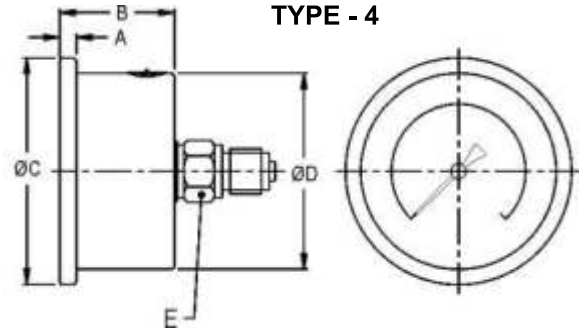


DIRECT LOWER BACK ENTRY

ROLLING TYPE (STANDARD)

NS	A	B	ØC	ØD	E	Weight in gram (With Box)
100	12.5	39	110	100	A/F 17	410.0

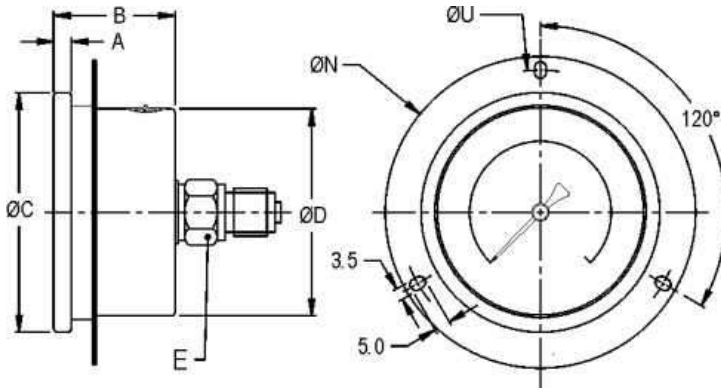
TYPE - 4



ROLLING TYPE (STANDARD)

NS	A	B	ØC	ØD	E	Weight in gram (With Box)
40	5	25	43	41	A/F 14	75.0
50	4.5	29	57.5	51.5	A/F 14	118.0
63	6.5	30	68	62.5	A/F 14	155.0

TYPE - 12

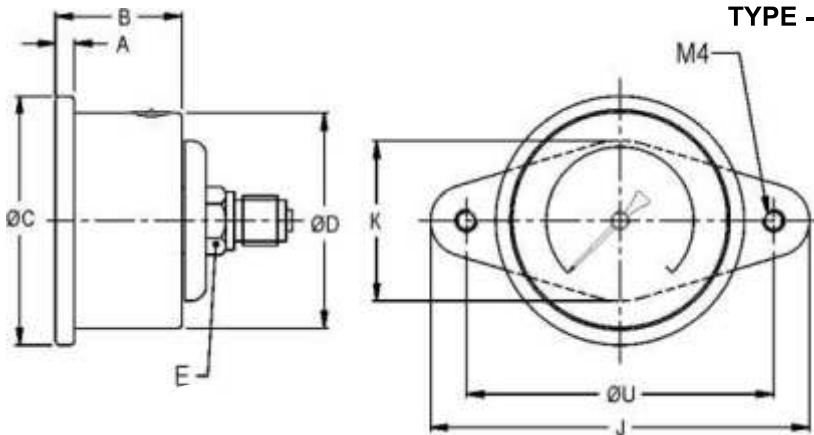


ROLLING TYPE (STANDARD)

NS	A	B	ØC	ØD	E	ØN	ØU	Weight in gram (With Box)
63	6.5	30	68	62.5	A/F 14	85.5	76	216.0

CENTER BACK ENTRY WITH FRONT FLANGE

TYPE - 13



ROLLING TYPE (STANDARD)

NS	A	B	ØC	ØD	E	J	K	ØU	Weight in gram (With Box)
50	5	29	57	51.5	A/F 14	91	38	70.5	160.0
63	6.5	30	68	62.5	A/F 14	91	38	70.5	195.0

CENTER BACK ENTRY WITH MOUNTING BRACKET

NOMINAL SIZE

B	C	D	E	F
40 mm	50 mm	63 mm	80 mm	100 mm

GAUGE CONNECTION

- 1/8" BSP(M)
- 1/8" NPT(M)
- 1/8" BSPT(M)
- 1/4" BSP(M)
- 1/4" NPT(M)
- 1/4" BSPT(M)
- 3/8" BSP(M)
- 3/8" NPT(M)
- 3/8" BSPT(M)
- 1/2" BSP(M)
- 1/2" NPT(M)
- 1/2" BSPT(M)

OPTIONAL EXTRAS

- | | |
|--|---|
| CUSTOM DESIGNED DIAL | SS TAG PLATE |
| OXYGEN SERVICE (WITHOUT DAMPENING LIQUIDS) | HELIUM LEAK TEST |
| FIVE POINT CALIBRATION CERTIFICATE | FILLABLE LIQUID GLYCERINE |
| DAMPENING LIQUID GLYCERINE FILLED | INTEGRAL DAMPENING SCREW (BRASS) |
| 25 MM BOD (EXCEPT MOUNTING 4, 12 & 13)* | FREON RANGE (WITH TEMPERATURE SCALE)* |
| ENCLOSURE PROTECTION IP 66 | SHATTERPROOF GLASS/ SAFETY GLASS (FOR BAYONET TYPE DESIGN)* |
| ENCLOSURE PROTECTION IP 67 | TOUGHENED GLASS (FOR BAYONET TYPE DESIGN)* |
| MOVEMENT WITH DAMPENING JELLY* | |

Applicable for NS 63 mm, 80 mm & 100 mm.

*** Applicable for NS 50 mm, 63 mm & 100 mm.