

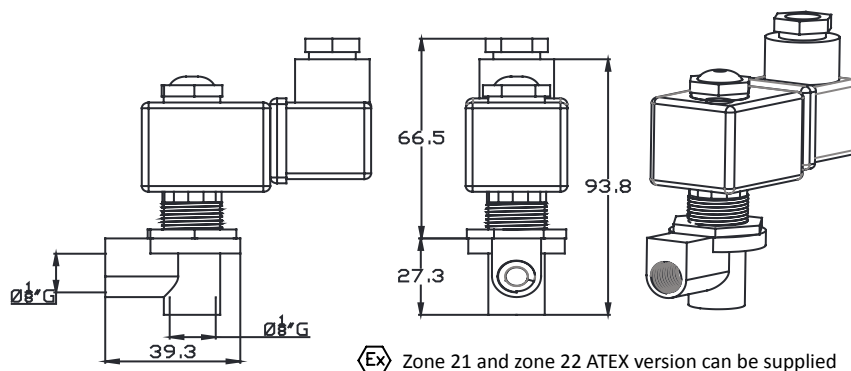
REMOTE PILOT FOR DIAPHRAGM VALVES-SR SERIES



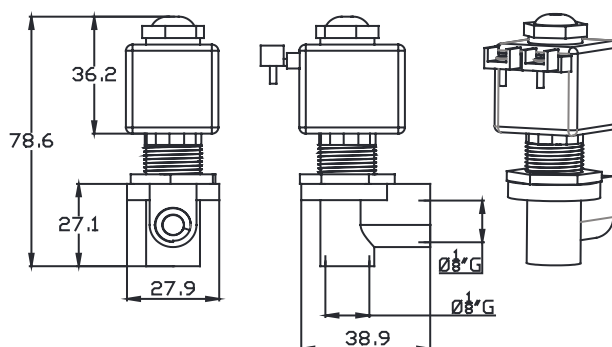
FEATURES

Fluids	Non-lubricated filtered air
Operating pressure	between 0.5 and 7.5 bar
Operating temperature	-20°C; +80°C
Body	Brass
Pilot core	Stainless steel
Coil insulation	Class H
Connector	PG9 / IP 65
Standard voltage	230 -110 - 24V/50-60 Hz (19 VA)
	24VDC (15W) - 24VDC (12W)
Maximum Valve Distance	3 Metres

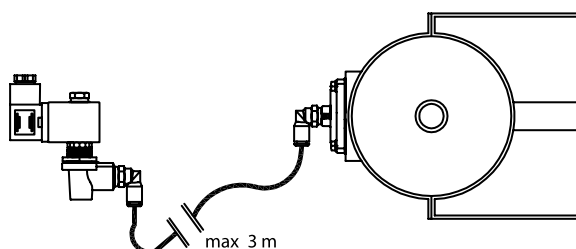
SRC - IP65



SRM - IP00

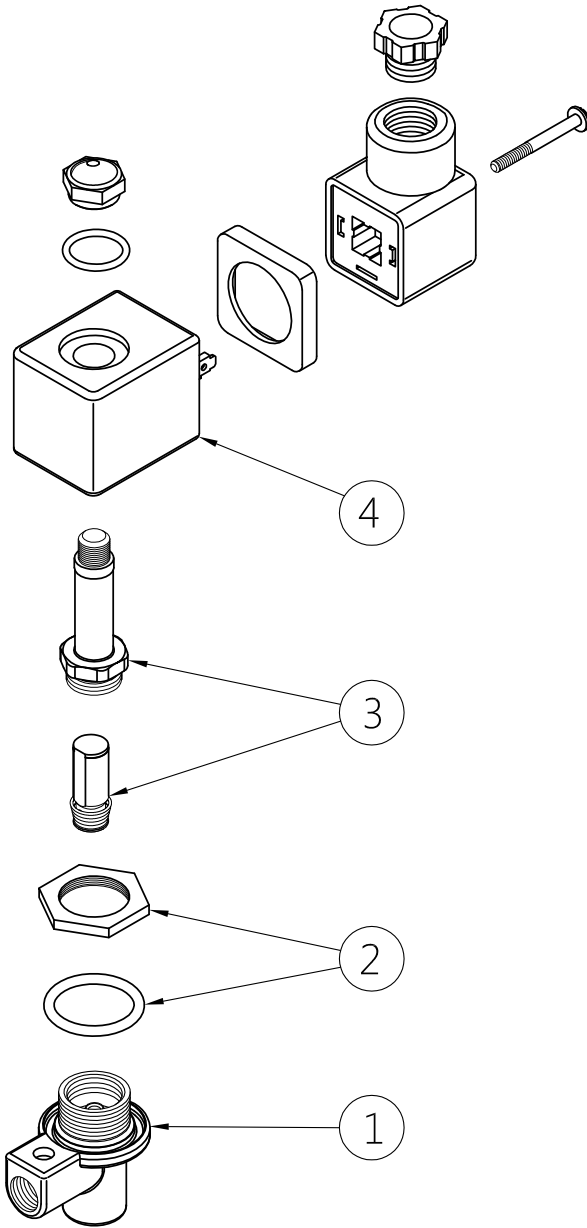


MOUNTING EXAMPLE



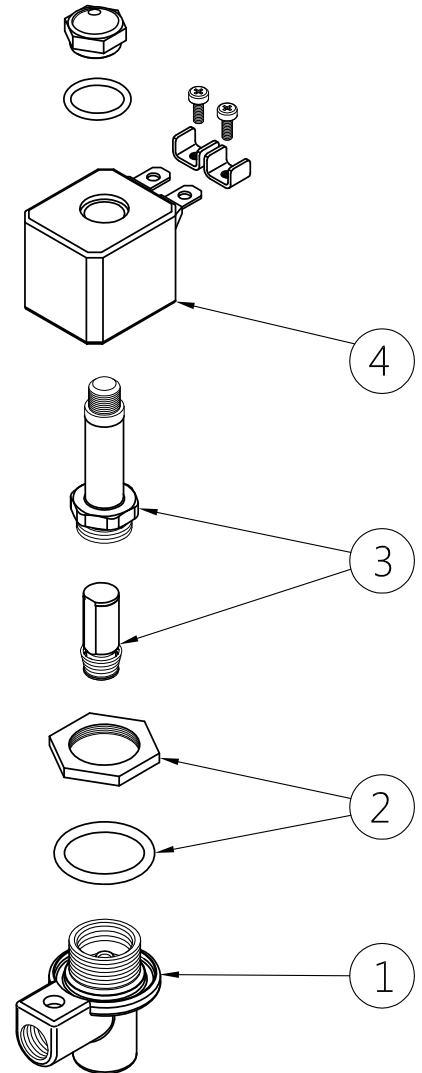
SRSERIES - REMOTE PILOT FOR DIAPHRAGM VALVES

SRC



DESCRIPTION	SRC
1 Pilot body	PCRP
2 Second lock nut + O-ring	3121604 + 3301224
3 Pilot unit	1331088
4 Coil + Connector	BH10

SRM



DESCRIPTION	SRM
1 Pilot body	PCRP
2 Second lock nut + O-ring	3121604 + 3301224
3 Pilot unit	1331088
4 Coil	BH10.../.. - A9