

**Pneuma**  
**Engineering Co.,Ltd**  
บริษัท นิวมา เอ็นจิเนียริ่ง จำกัด

LINE @pneuma



# HYDRAULIC



**Hydraulic Fittings — Hydraulic valves**

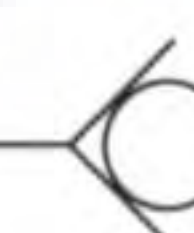
**Hydraulic Gear Pumps — Hydraulic Cylinder**

**Hydraulic Pump — Hydraulic Annex**

# Quick Coupling

## H-QRPC

### ISO 7241-A Close Type Hydraulic Quick Coupling

Mainly suitable for fluid   Open close-type ends

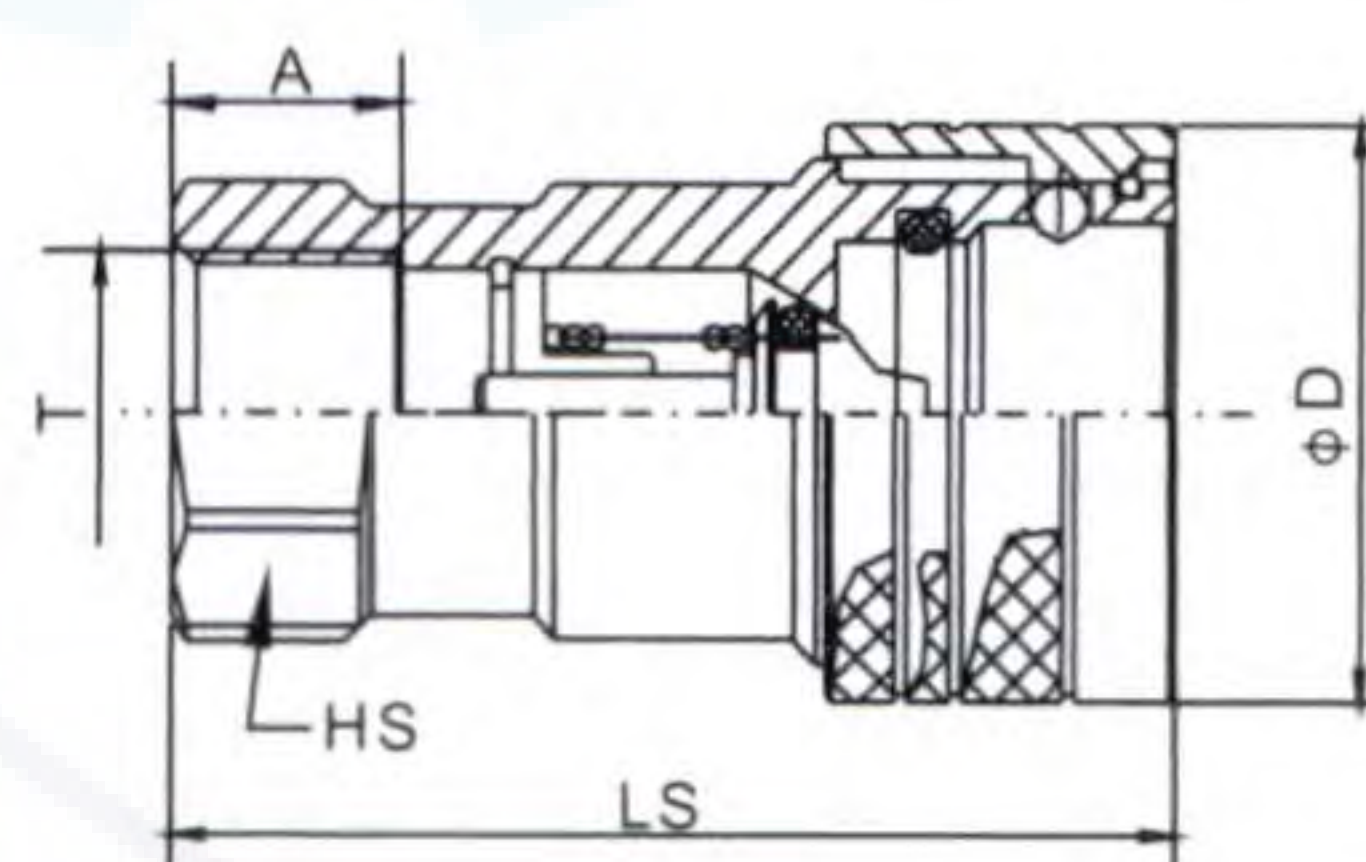
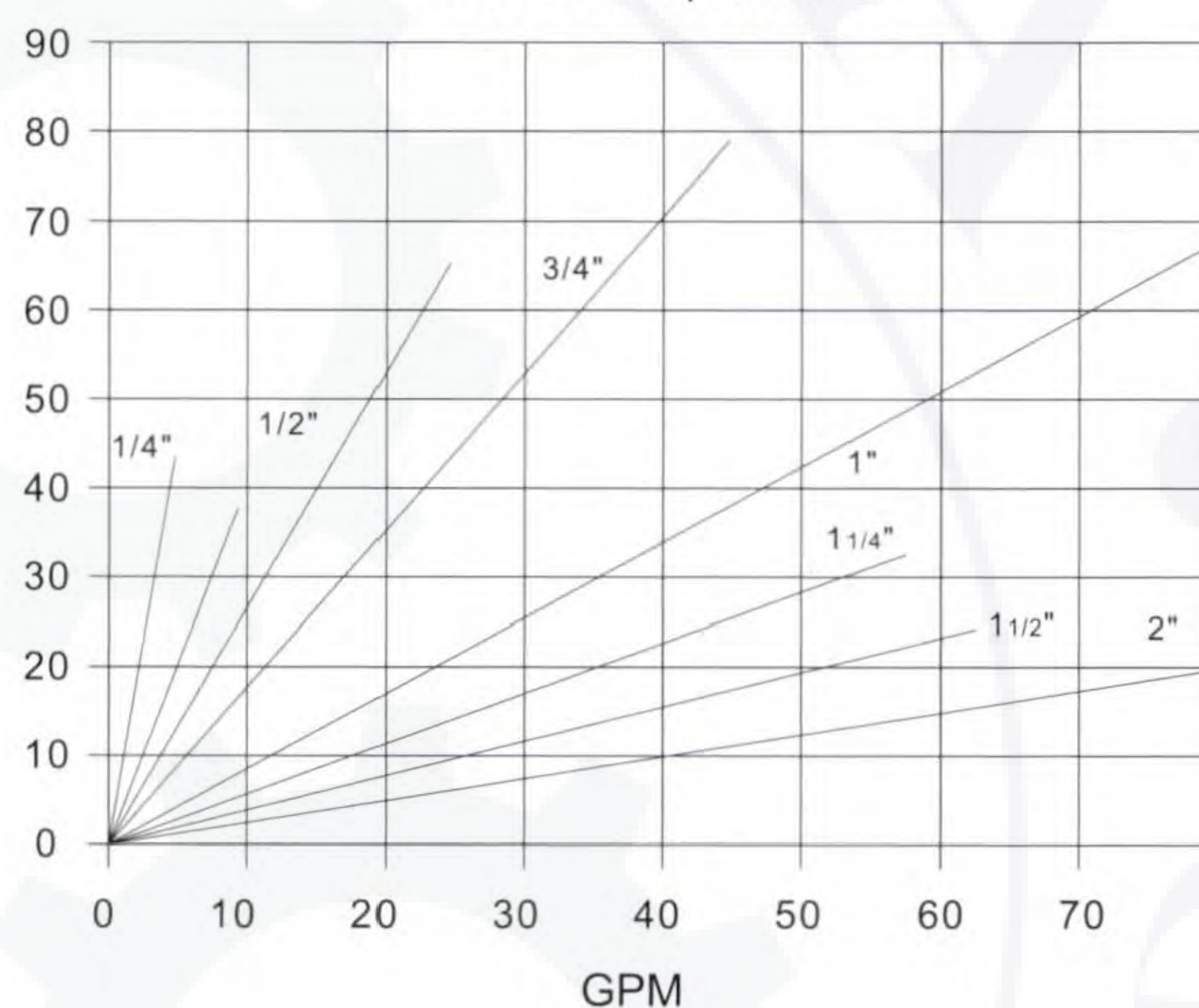
- H-QRPC Series conforms to the standard of ISO7241-A.
- Compatible with PARKER 6600 Series, FASTERANV Series AEROQUIP 5600 Series and HANSEN HA 15000 Series.

## H-QRPC

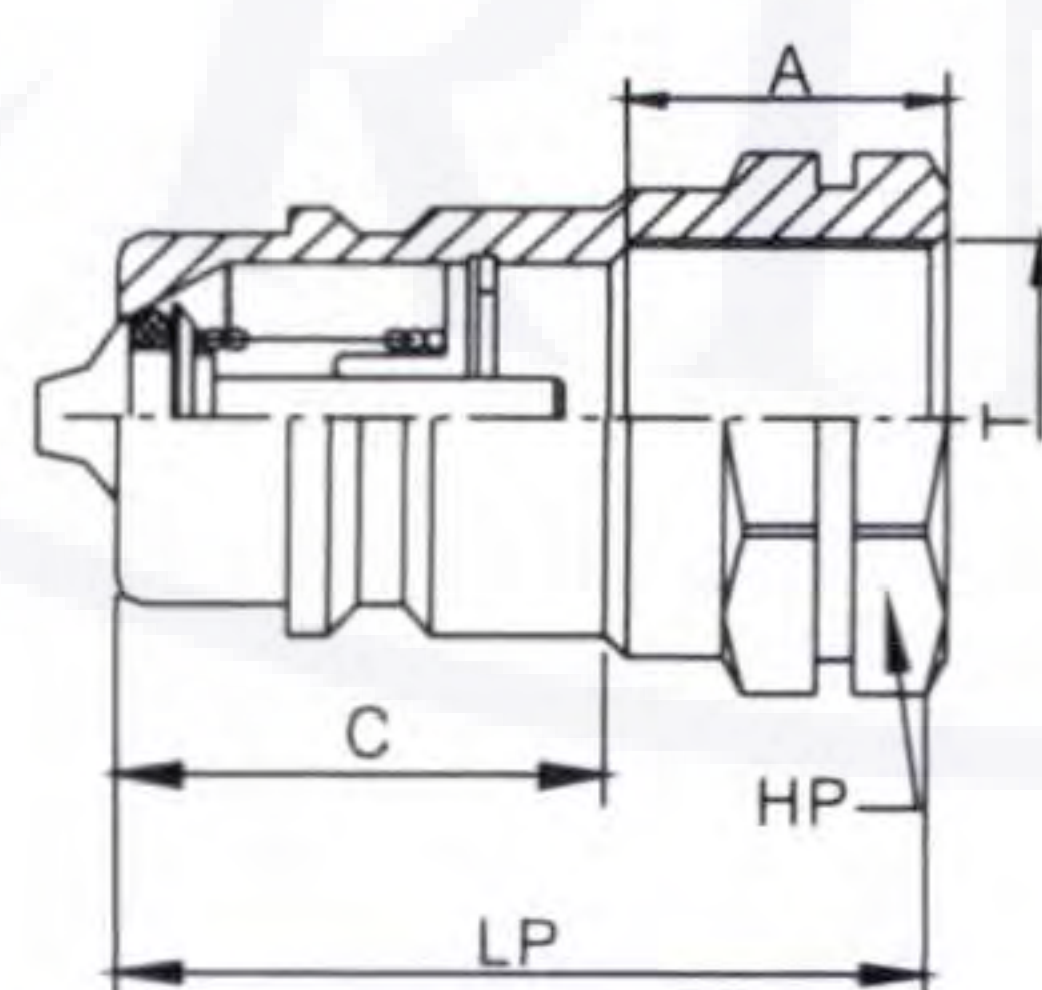


Specifications								
Body Size(in)	1/4	3/8	1/2	3/4	1	1-1/4"	1-1/2"	2
Rated pressure(PSI)	5000	4000	4000	3000	3000	3000	2000	2000
Rated flow(GPM)	3	6	12	28	50	88	220	224
Temperature range(std seals)	-20°C~+80°C							
Standard seal material is Fluorocarbon								

Pressure Drop-in PSID



Part No.	LS	φD	HS	A	G
H-QRPC-02SF	50	26	19*6 Angle	13	G1/4
H-QRPC-03SF	60.5	31.5	22*6 Angle	14	G3/8
H-QRPC-04SF	66	39	27*6 Angle	16	G1/2
H-QRPC-06SF	80	48	34*6 Angle	18	G3/4
H-QRPC-08SF	99.5	53	41*6 Angle	21	G1
H-QRPC-10SF	112	69	50*6 Angle	25	G1-1/4
H-QRPC-12SF	127.5	84.5	66*6 Angle	25.5	G1-1/2
H-QRPC-16SF	158	99	75*6 Angle	26	G2



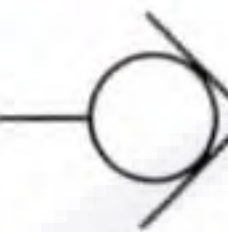
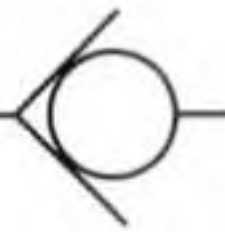
Part No.	LS	φD	HS	A	G
H-QRPC-02PF	35.5	15	19*6 Angle	13	G1/4
H-QRPC-03PF	42	26.5	22*6 Angle	14	G3/8
H-QRPC-04PF	46	26.5	27*6 Angle	16	G1/2
H-QRPC-06PF	54	28	34*6 Angle	18	G3/4
H-QRPC-08PF	65.5	35	41*6 Angle	21	G1
H-QRPC-10PF	70	45	50*6 Angle	25	G1-1/4
H-QRPC-12PF	78	51	66*6 Angle	25.5	G1-1/2
H-QRPC-16PF	98	61	75*6 Angle	26	G2

# Quick Coupling

## H-QRPC-T

### ISO 7241-B Close Type Hydraulic Quick Coupling

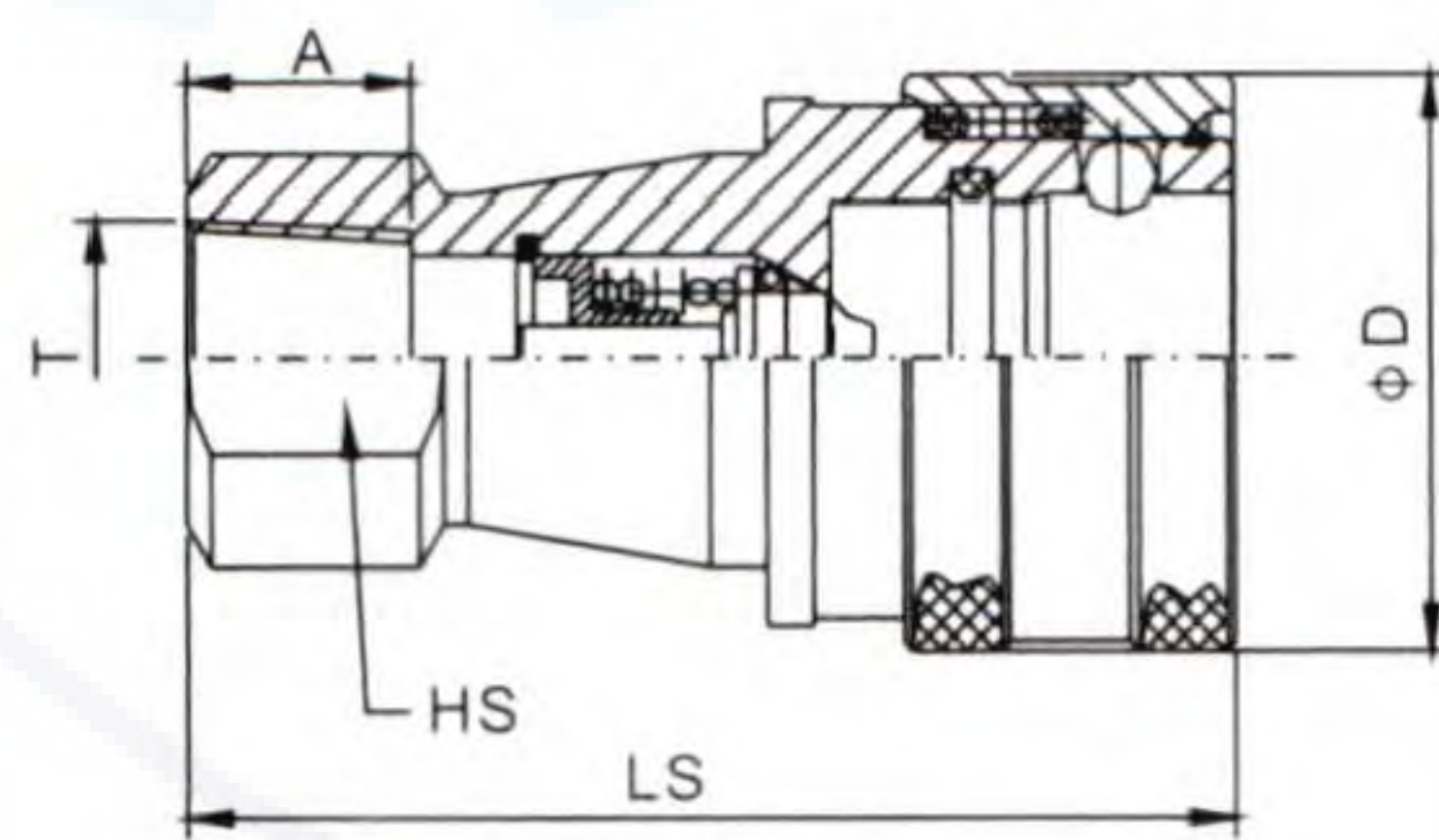
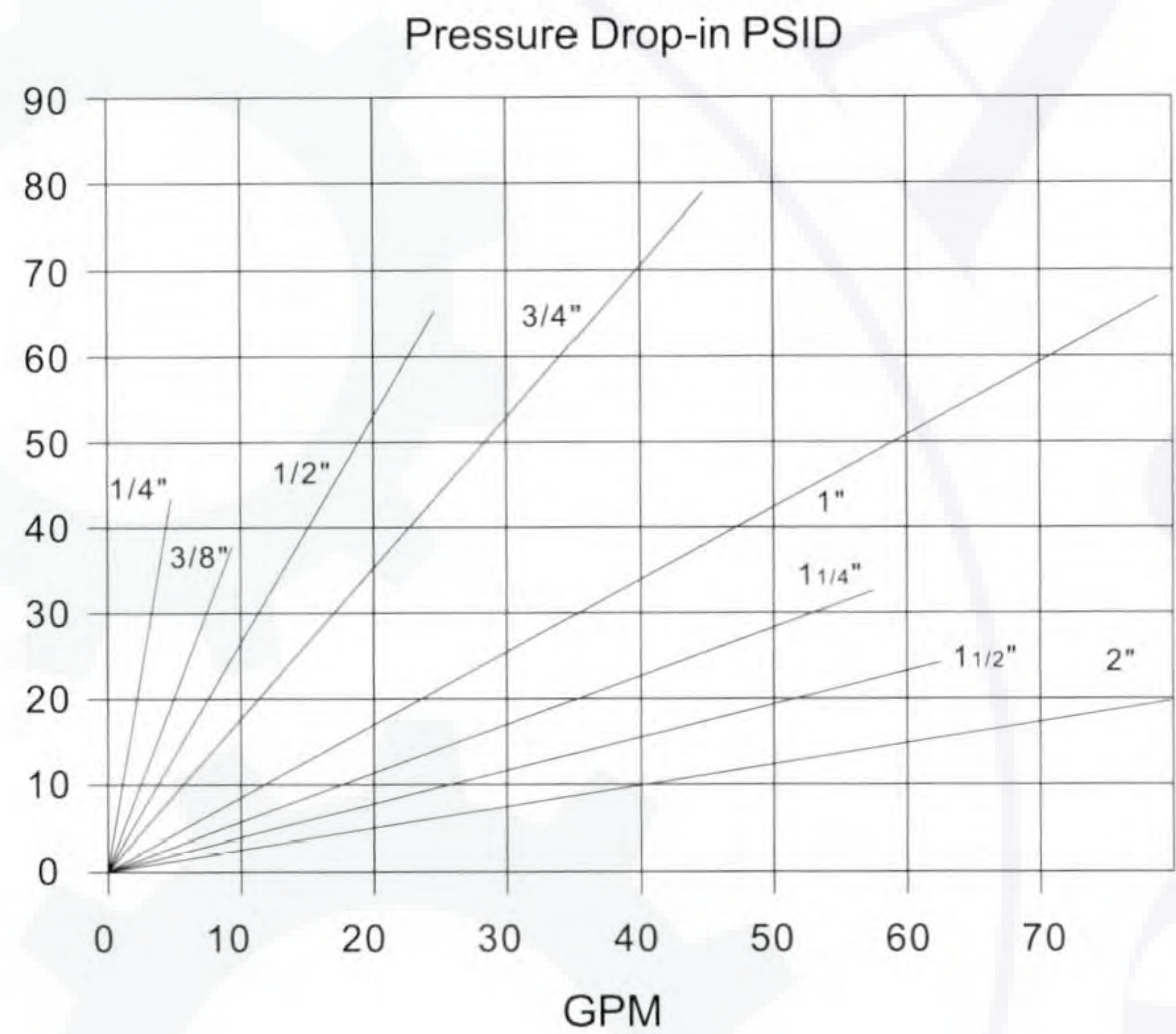
Material Science : Brass

Mainly suitable for fluid   Open close-type ends

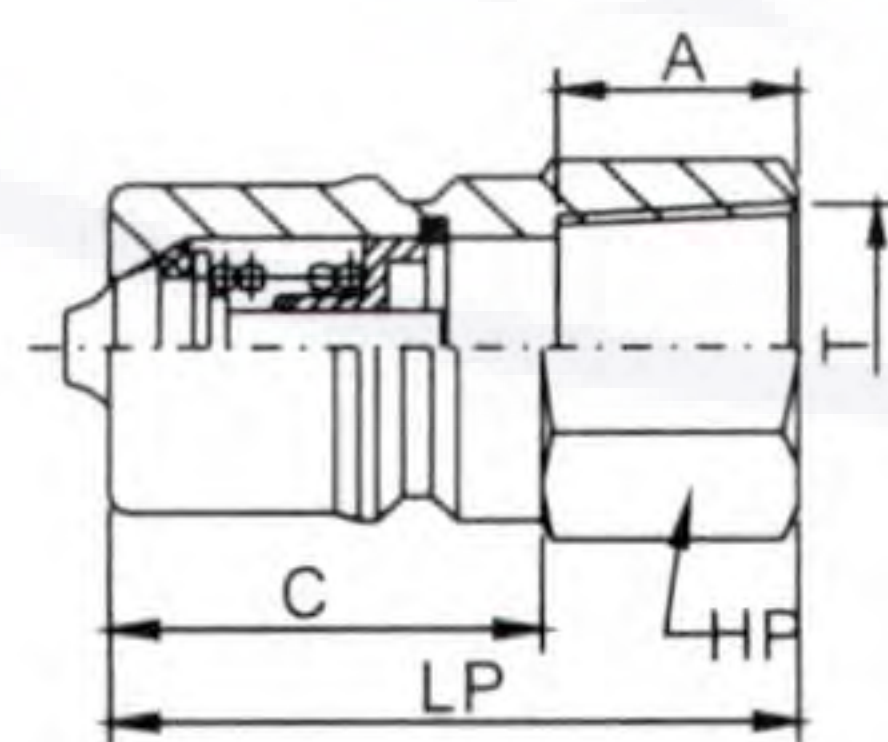
- H-QRPC-T Series conforms to the standard of ISO7241-B.
- Compatible with PARKER 60 Series, FASTERANV Series AEROQUIP FD45 Series and HANSEN HK Series.

Specifications									
Body Size(in)	1/8	1/4	3/8	1/2	3/4	1	1 1/4"	1 1/2"	2
Rated pressure(PSI)	1000	1000	1000	1000	1000	1000	800	800	800
Rated flow(GPM)	1	3	6	12	28	50	75	100	150
Temperature range(std seals)	-20°C~+80°C								
Standard seal material is Fluorocarbon									

## H-QRPC-T



Part No.	LS	φD	HS	A	G
H-QRPC-T-01SF	48	24	2 Angle 14	10	ZG1/8
H-QRPC-T-02SF	58	28	2 Angle 19	12.5	ZG1/4
H-QRPC-T-03SF	65	35	2 Angle 21	13	ZG3/8
H-QRPC-T-04SF	72	45	2 Angle 29	14	ZG1/2
H-QRPC-T-05SF	88	55	2 Angle 35	17	ZG3/4
H-QRPC-T-06SF	102	65	2 Angle 41	23	ZG1
H-QRPC-T-08SF	115	79	2 Angle 54	27	ZG1-1/4
H-QRPC-T-10SF	124	79	2 Angle 63	27	ZG1-1/2
H-QRPC-T-16SF	132	109	2 Angle 77	30	ZG2



Part No.	LS	φD	HS	A	G
H-QRPC-T-01PF	29	19	6 Angle 14	10	ZG1/8
H-QRPC-T-02PF	36	22.5	6 Angle 19	12.5	ZG1/4
H-QRPC-T-03PF	40	25	6 Angle 21	13	ZG3/8
H-QRPC-T-04PF	44	28	6 Angle 29	14	ZG1/2
H-QRPC-T-5PF	52	36	6 Angle 35	17	ZG3/4
H-QRPC-T-06PF	62	40	6 Angle 41	23	ZG1
H-QRPC-T-08PF	70	45	6 Angle 54	27	ZG1-1/4
H-QRPC-T-10PF	75	49	6 Angle 63	27	ZG1-1/2
H-QRPC-T-16PF	80	52	6 Angle 77	30	ZG2

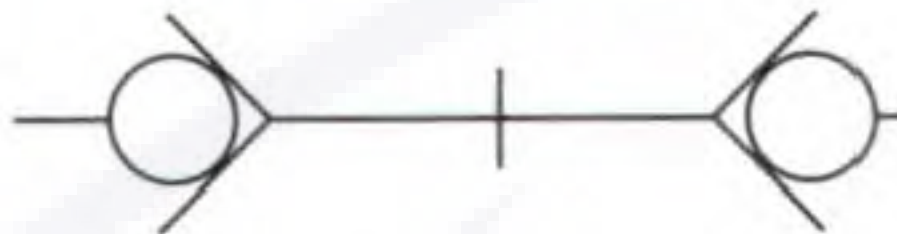
Quick Coupling

# Quick Coupling

## H-QRPC-S

ISO 7241-B Close Type Hydraulic Quick Coupling

Material Science : Stainless steel

Mainly suitable for fluid  Open close-type ends

- H-QRPC-S Series conforms to the standard of ISO7241-B.
- Compatible with PARKER 60 Series, FASTER ANV Series AEROQUIP FD45 Series and HANSEN HK Series.

### Specifications

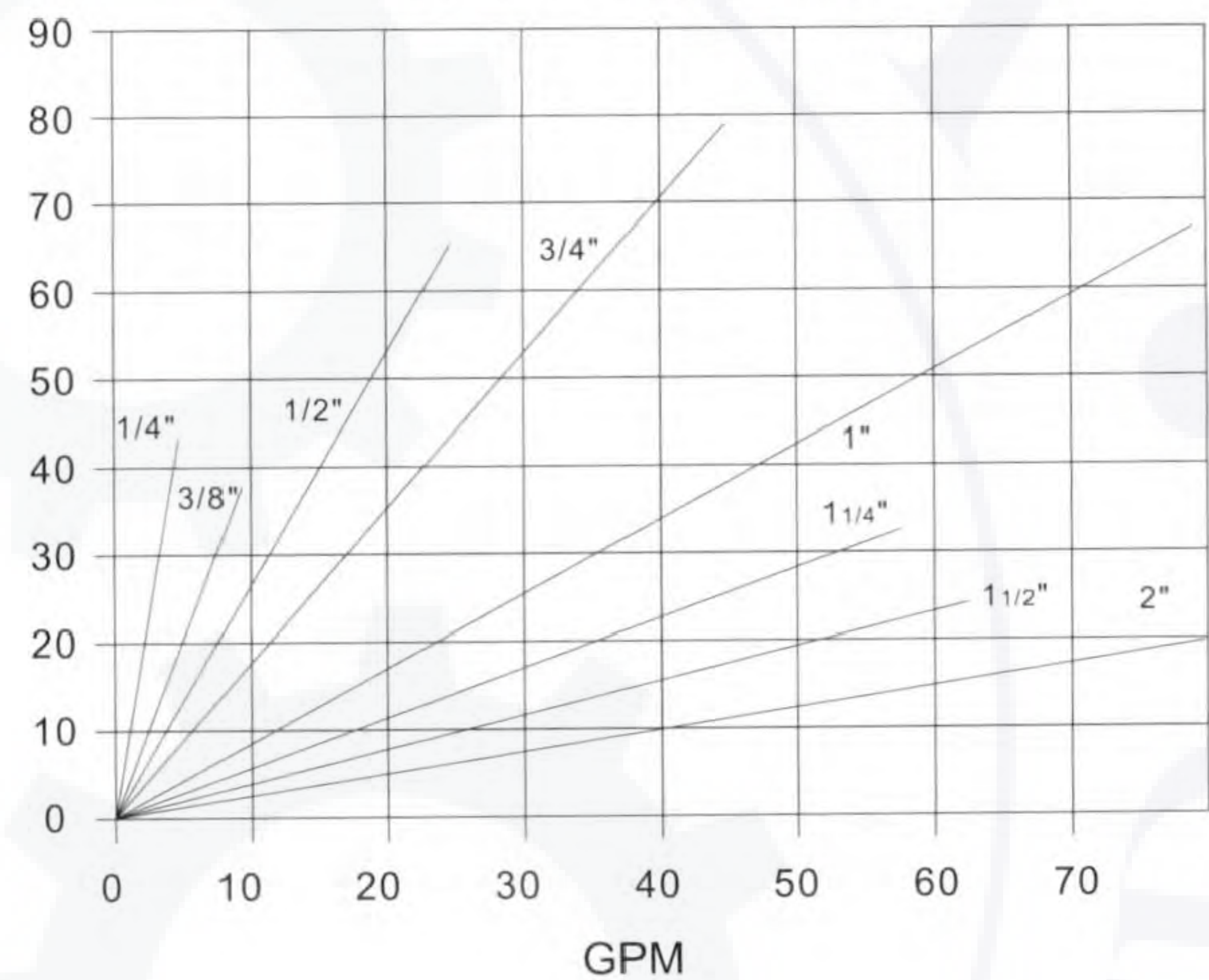
Body Size(in)	1/8	1/4	3/8	1/2	3/4	1	1-1/4"	1-1/2"	2
Rated pressure(PSI)	2000	2000	1500	1500	1500	1000	1000	1000	1000
Rated flow(GPM)	1	3	6	12	28	50	75	100	150
Temperture range(std seals)	-20°C~+80°C								
Standard seal material is Flourocarbon									

## H-QRPC-S

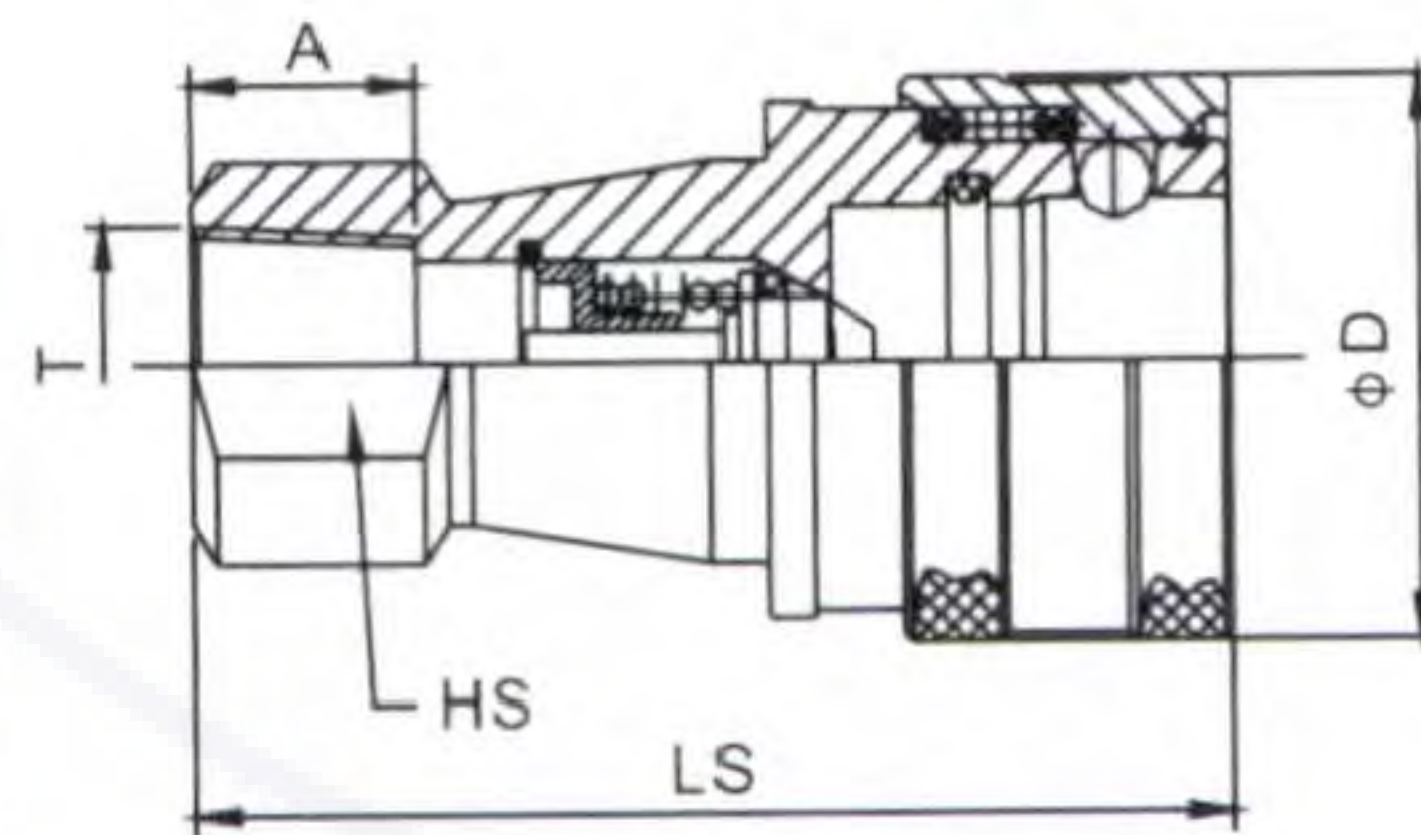


Stainless steel

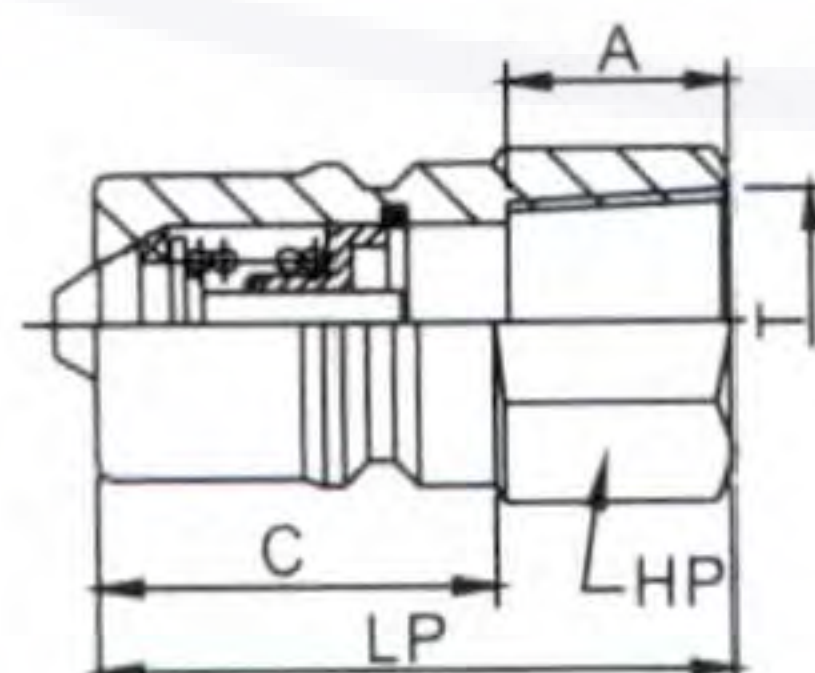
Pressure Drop-in PSID



Quick Coupling



Part No.	LS	φD	HS	A	G
H-QRPC-S-01SF	48	24	2 Angle 14	10	ZG1/8
H-QRPC-S-02SF	58	28	2 Angle 19	12.5	ZG1/4
H-QRPC-S-03SF	65	35	2 Angle 21	13	ZG3/8
H-QRPC-S-04SF	72	45	2 Angle 29	14	ZG1/2
H-QRPC-S-05SF	88	55	2 Angle 35	17	ZG3/4
H-QRPC-S-06SF	102	65	2 Angle 41	23	ZG1
H-QRPC-S-08SF	115	79	2 Angle 54	27	ZG1-1/4
H-QRPC-S-10SF	124	79	2 Angle 63	27	ZG1-1/2
H-QRPC-S-16SF	132	109	2 Angle 77	30	ZG2

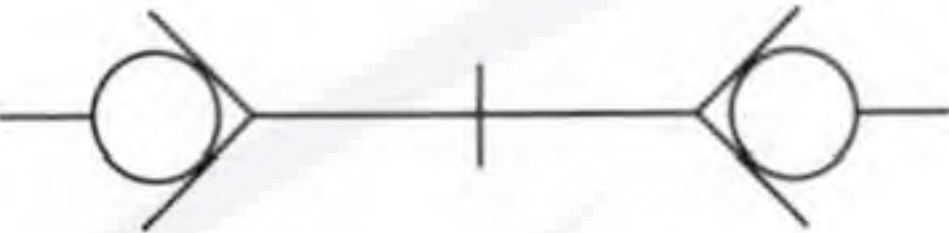


Part No.	LS	φD	HS	A	G
H-QRPC-S-01PF	29	19	6 Angle 14	10	ZG1/8
H-QRPC-S-02PF	36	22.5	6 Angle 19	12.5	ZG1/4
H-QRPC-S-03PF	40	25	6 Angle 21	13	ZG3/8
H-QRPC-S-04PF	44	28	6 Angle 29	14	ZG1/2
H-QRPC-S-5PF	52	36	6 Angle 35	17	ZG3/4
H-QRPC-S-06PF	62	40	6 Angle 41	23	ZG1
H-QRPC-S-08PF	70	45	6 Angle 54	27	ZG1-1/4
H-QRPC-S-10PF	75	49	6 Angle 63	27	ZG1-1/2
H-QRPC-S-16PF	80	52	6 Angle 77	30	ZG2

# Quick Coupling

## SFC-H301

ISO 16028 Flat Face Type Hydraulic Quick Coupling

Mainly suitable for fluid  Open close-type ends

- Series conforms to ISO 5675.
- Compatible with PARKER FE and FF Series, STUCCHI A8008 Series, EROQUIP FD 89 Series, HANSEN QA 2900 Series.

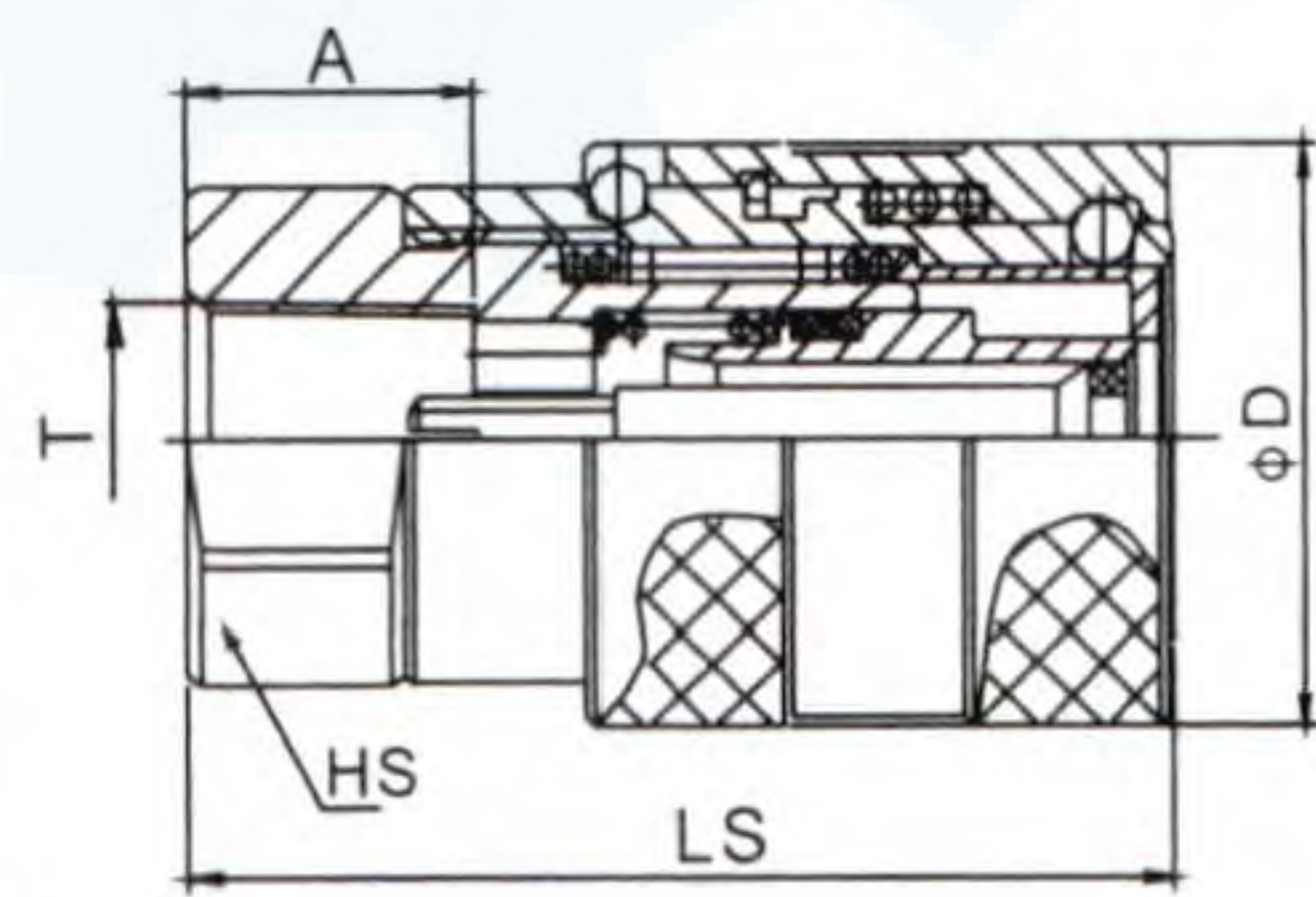
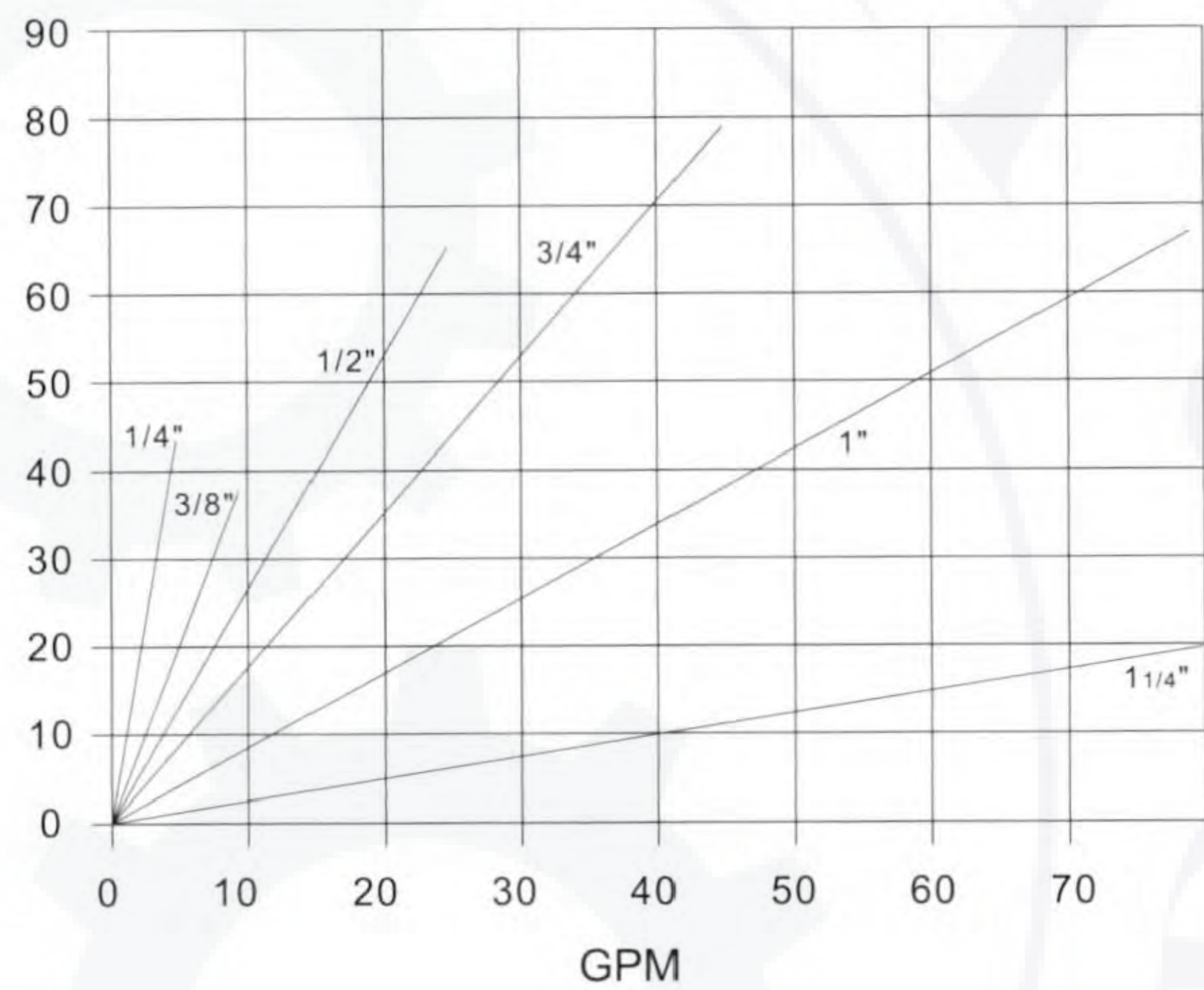
### Specifications

Body Size(in)	1/4	3/8	1/2	3/4	1	1-1/4"
Rated pressure(PSI)	5000	3000	3000	3000	3000	3000
Rated flow(GPM)	3	6	12	28	50	88
Temperature range(std seals)	-20°C~+80°C					
Standard seal material is Fluorocarbon						

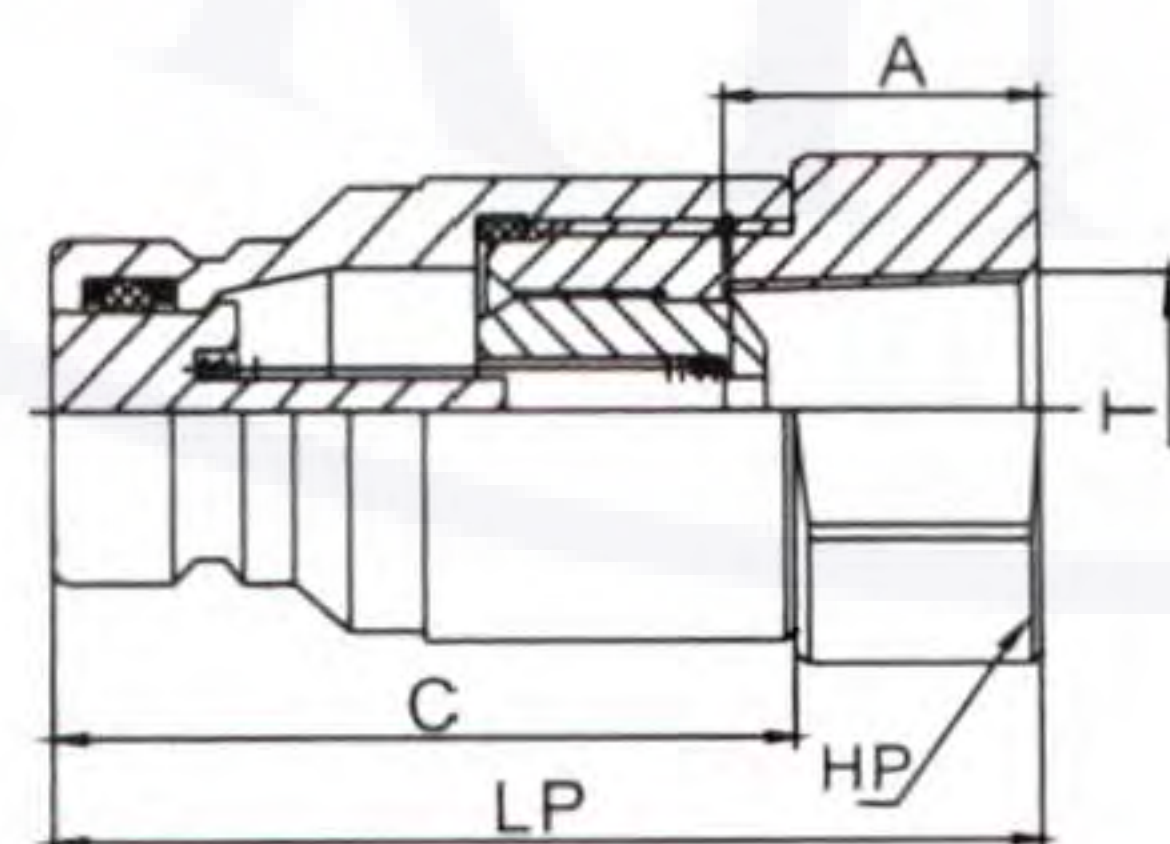
## SFC-H301



Pressure Drop-in PSID



Part No.	LS	φD	HS	A	T
SFC-H301-02SF	49.2	28	S20 Six angle	14	G1/4
SFC-H301-03SF	68.4	32	S24 Six angle	14	G3/8
SFC-H301-04SF	75.2	38	S32 Six angle	18	G1/2
SFC-H301-06SF	80.2	42	S36 Six angle	22	G3/4
SFC-H301-08SF	99.9	48	S41 Six angle	23.5	G1

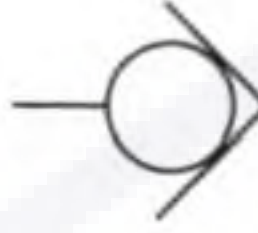



Part No.	LS	φD	HS	A	T
SFC-H301-02PF	49.2	28	S20 Six angle	14	G1/4
SFC-H301-03PF	68.4	32	S24 Six angle	14	G3/8
SFC-H301-04PF	75.2	38	S32 Six angle	18	G1/2
SFC-H301-06PF	80.2	42	S36 Six angle	22	G3/4
SFC-H301-08PF	99.9	48	S41 Six angle	23.5	G1

# Quick Coupling

## SFC-H203

ISO 5675 Push and Pull Type Hydraulic Quick Coupling

Mainly suitable for fluid  Open close-type ends 

- SFC-H203 Series conforms to the standard of ISO5675.
- Compatible with PARKER 4250 Series, FASTER CVP -CNV SeriesSeries.

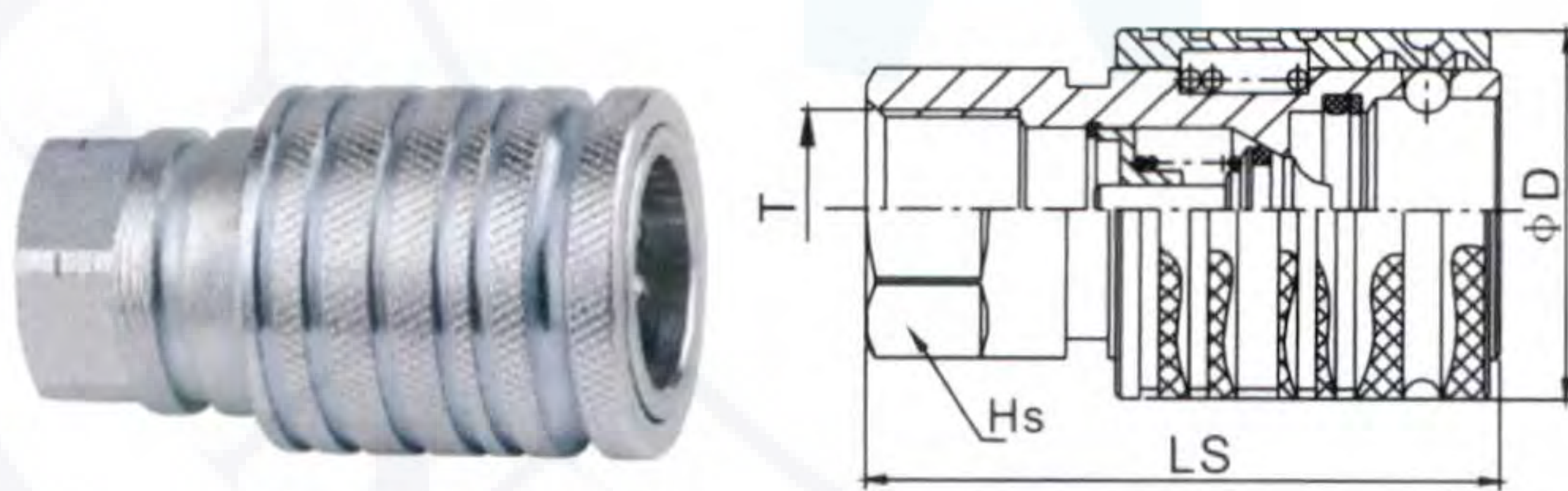
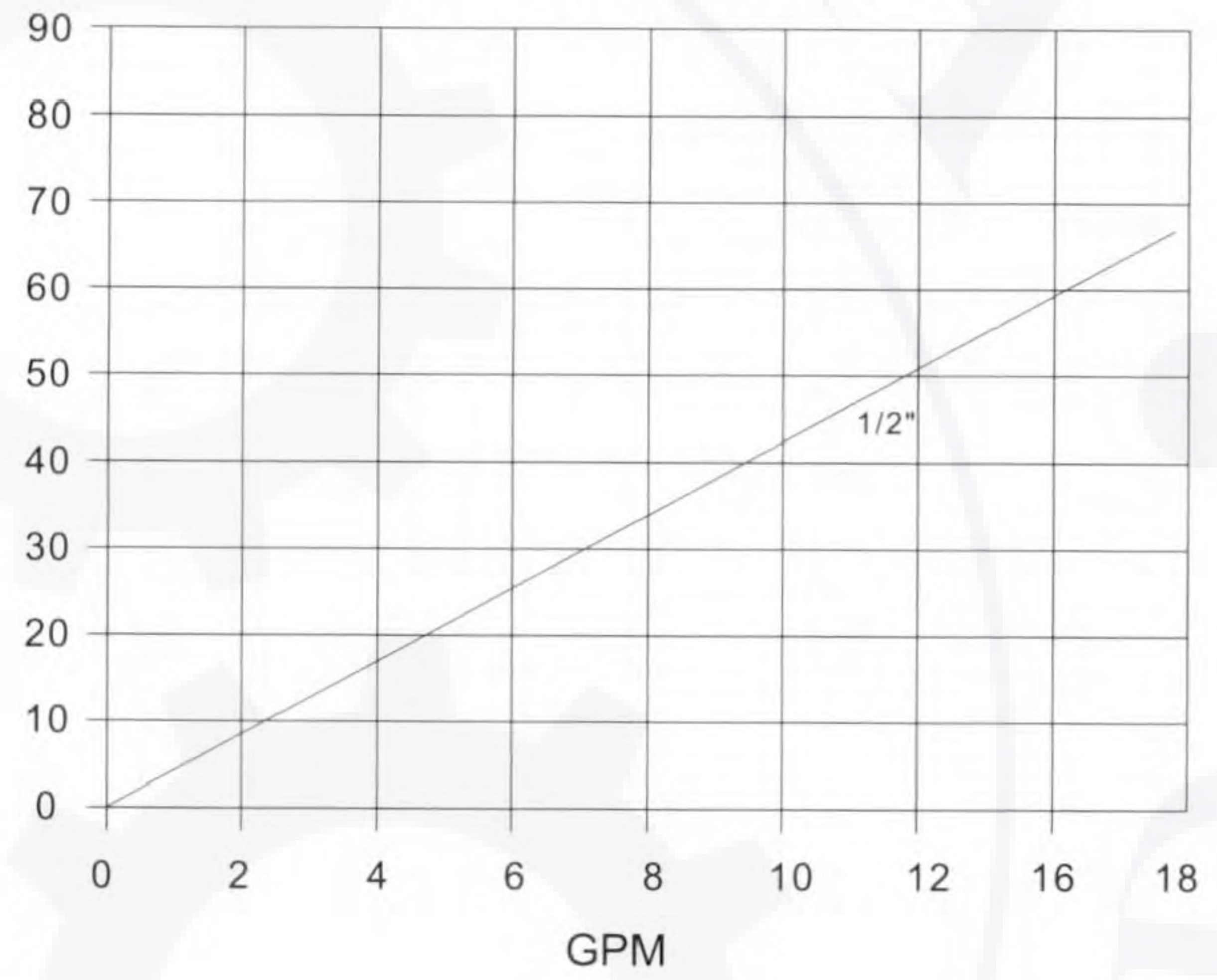
### Specifications

Body Size(in)	1/8	1/4	3/8	1/2	3/4	1	1 1/4"	1 1/2"	2
Rated pressure(Mpa)	1000	1000	1000	1000	1000	1000	800	800	800
Rated flow(GPM)	1	3	6	12	28	50	75	100	150
Temperture range(std seals)	-20°C~+80°C								
Standard seal material is Flouorocarbon									

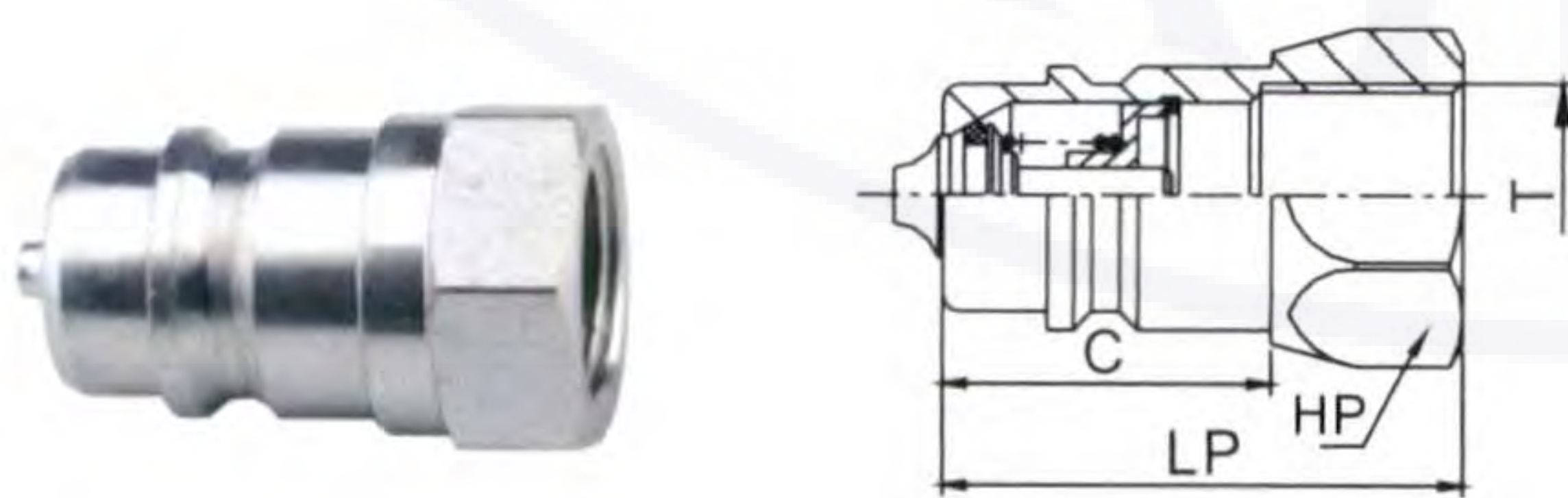
## SFC-H203



Pressure Drop-in PSID



Part No.	LS	φD	HS	T
SFC-H203-03SF	66	38	27	3/8BSP
SFC-H203-04SF	66	38	27	1/2BSP
SFC-H203-06SF	69	38	34	3/4BSP
SFC-H203-SM14	66	38	27	M14X1.5
SFC-H203-SM16	66	38	27	M16X1.5
SFC-H203-SM18	66	38	27	M18X1.5
SFC-H203-SM22	66	38	27	M22X1.5

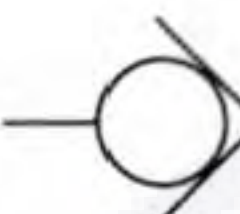
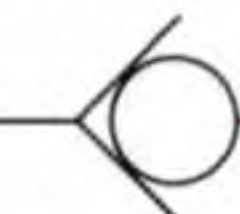


Part No.	LP	C	HP	T
SFC-H203-03PF	61.5	27	27	3/8BSP
SFC-H203-04PF	44	27	27	1/2BSP
SFC-H203-06PF	64.5	34	34	3/4BSP
SFC-H203-PM14	61.5	27	27	M14X1.5
SFC-H203-PM16	61.5	27	27	M16X1.5
SFC-H203-PM18	61.5	27	27	M18X1.5
SFC-H203-PM22	44	27	27	M22X1.5

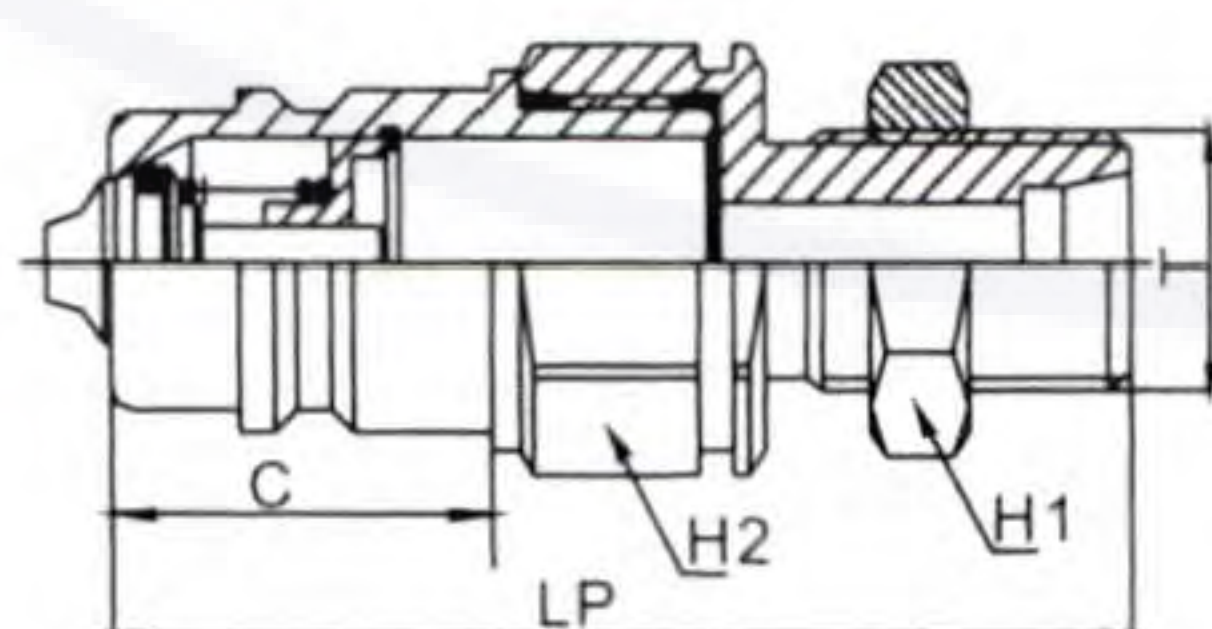
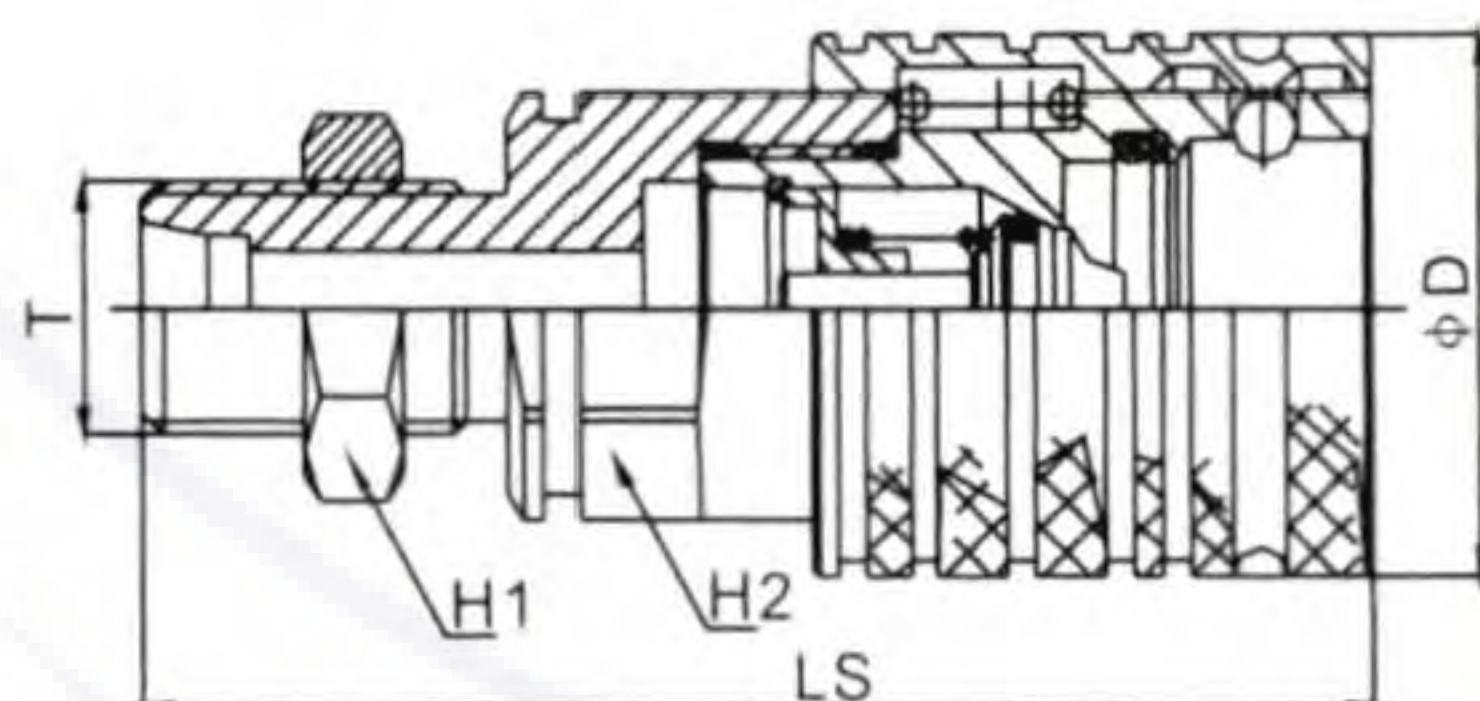
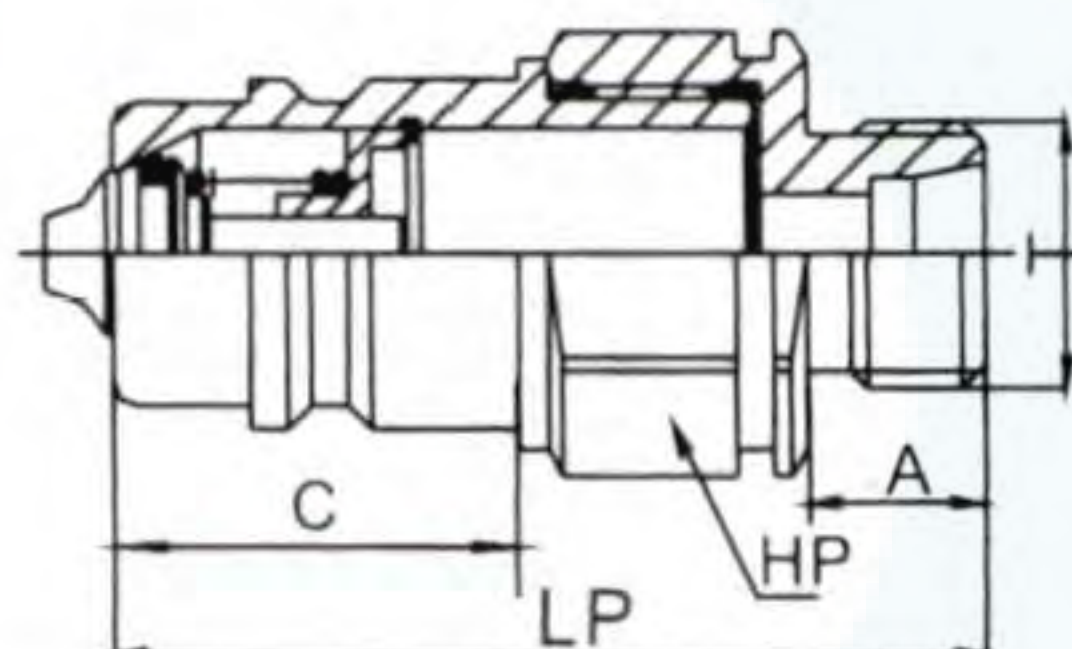
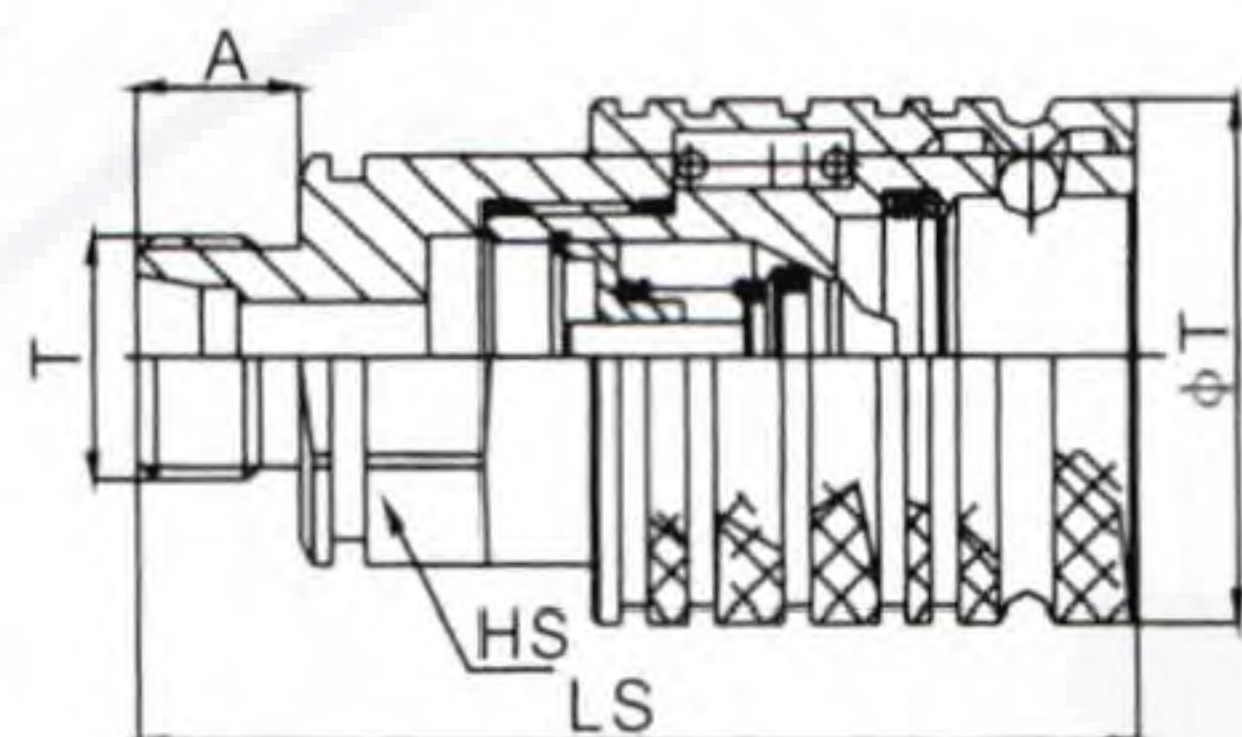
# Quick Coupling

## SFC-H203

ISO 5675 Push and Pull Type Hydraulic Quick Coupling

Mainly suitable for fluid  Open close-type ends 

Pressure Drop-in PSID



Part No.	LS	φD	HS	A	T
H203-04SM8L	73	38	27	12	M14X1.5
H203-04SM10L	73	38	27	12	M16X1.5
H203-04SM12L	73	38	27	12	M18X1.5
H203-04SM15L	75	38	27	14	M22X1.5
H203-04SM18L	75	38	27	14	M26X1.5
H203-04SM10LS	73	38	27	12	M18X1.5
H203-04SM12LS	73	38	27	12	M20X1.5
H203-04SM14LS	75	38	27	14	M22X1.5
H203-04SM16LS	75	38	27	14	M24X1.5
H203-04SM20LS	94.8	38	30	35	M30X2

Part No.	LP	C	HP	A	T
H203-04PM8L	58	27	27	12	M14X1.5
H203-04PM10L	58	27	27	12	M16X1.5
H203-04PM12L	58	27	27	12	M18X1.5
H203-04PM15L	60	27	27	14	M22X1.5
H203-04PM18L	60	27	27	14	M26X1.5
H203-04PM10LS	58	27	27	12	M18X1.5
H203-04PM12LS	58	27	27	12	M20X1.5
H203-04PM14LS	60	27	27	14	M22X1.5
H203-04PM16LS	60	27	27	14	M24X1.5
H203-04PM20LS	81	27	30	35	M30X2

Part No.	LS	C	HP	A	T
H203-04SM8L	87	38	27	19	M14X1.5
H203-04SM10L	87	38	27	24	M16X1.5
H203-04SM12L	87	38	27	24	M18X1.5
H203-04SM15L	89	38	27	27	M22X1.5
H203-04SM18L	89	38	27	30	M26X1.5
H203-04SM10S	87	38	27	24	M18X1.5
H203-04SM12S	87	38	27	27	M20X1.5
H203-04SM14S	89	38	27	27	M22X1.5
H203-04SM16S	89	38	27	30	M24X1.5
H203-04SM20S	94.8	38	30	36	M30X2


Part No.	LP	C	H1	H2	T
H203-04PM8L	72	27	19	27	M14X1.5
H203-04PM10L	72	27	24	27	M16X1.5
H203-04PM12L	72	27	24	27	M18X1.5
H203-04PM15L	74	27	27	27	M22X1.5
H203-04PM18L	74	27	30	27	M26X1.5
H203-04PM10S	72	27	24	27	M18X1.5
H203-04PM12S	72	27	27	27	M20X1.5
H203-04PM14S	74	27	27	27	M22X1.5
H203-04PM16S	74	27	30	27	M24X1.5
H203-04PM20S	81	27	36	30	M30X2

Quick Coupling

# Quick Coupling

## SFC-H501 (70 Mpa)

### Thread Locked Type Hydraulic Quick Coupling

Mainly suitable for fluid   Open close-type ends

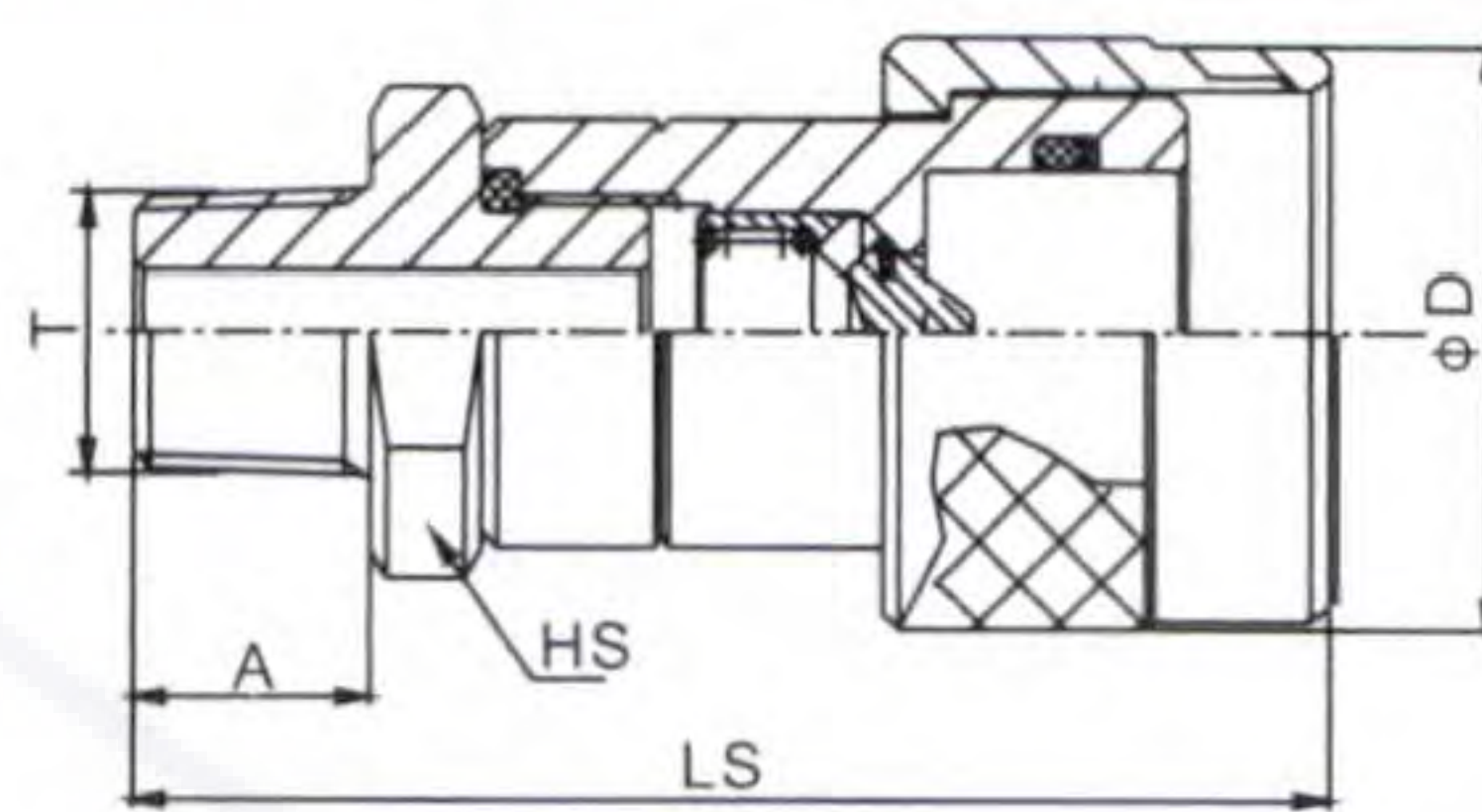
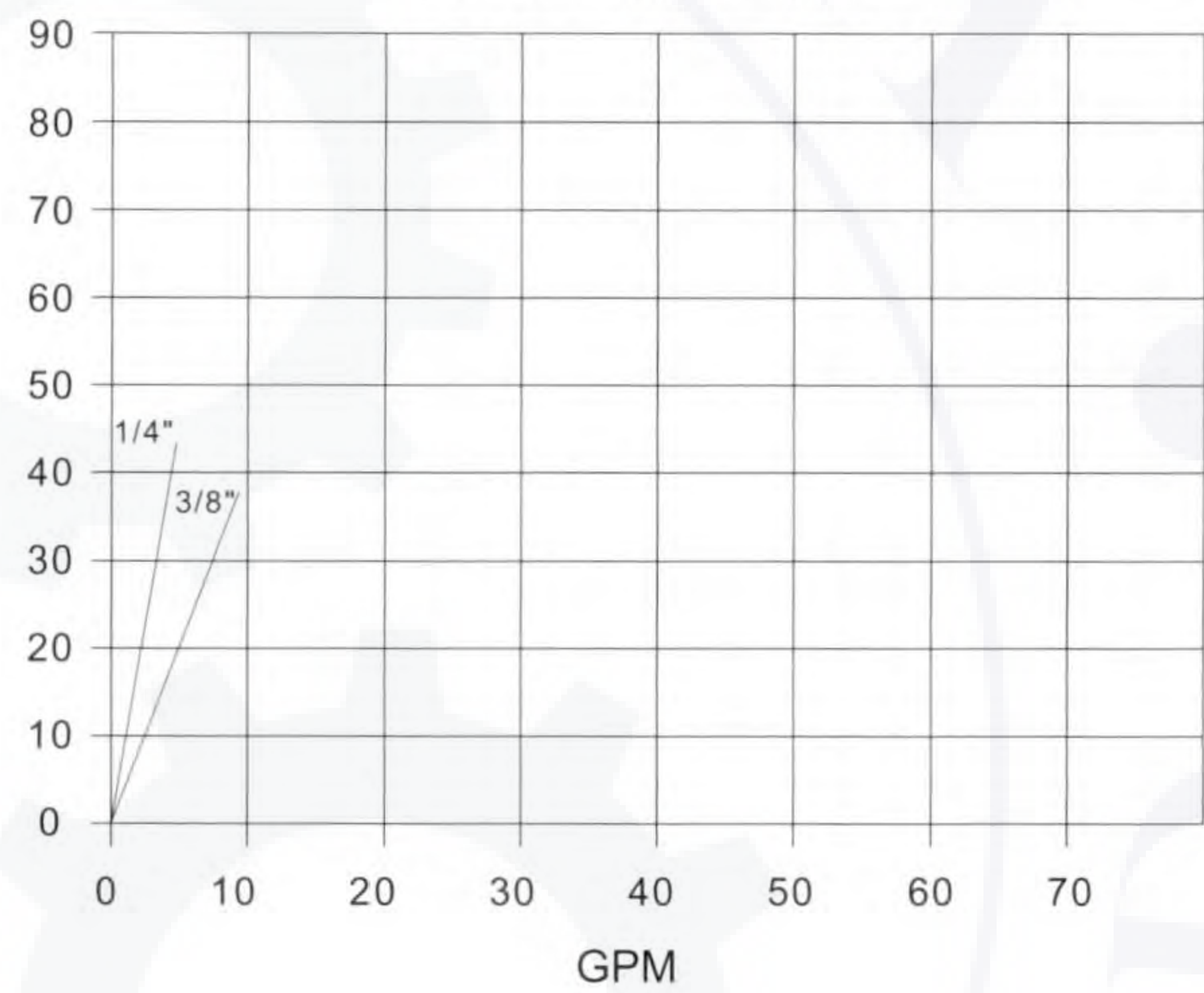
- SFC-H501 The interface seal is polyurethane which resists high pressure extrusion..
- Compatible with PARKER 3000 Series, FASTER PVVM Series.

Specifications		
Body Size(in)	1/4	3/8
Rated pressure(PSI)	10.000	
Rated flow(GPM)	3	6
Temperature range(std seals)	-20℃~+100℃	
Standard seal material is Fluorocarbon		

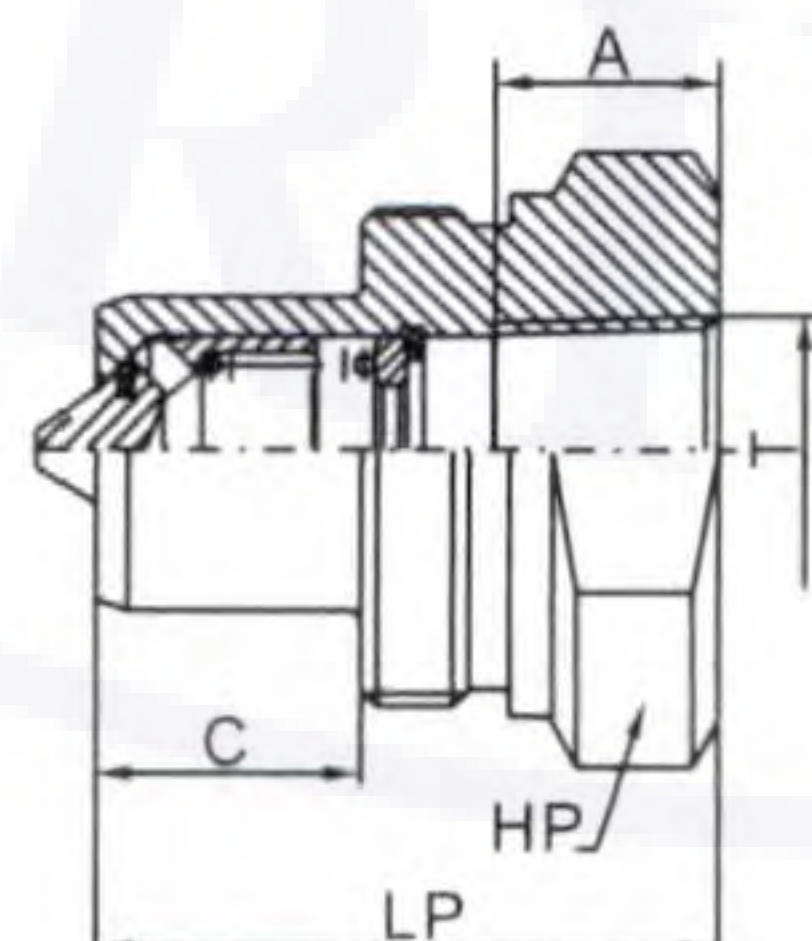
## SFC-H501



Pressure Drop-in PSID



Part No.	LS	φD	HS	A	T
SFC-H501-02SM	58	28.5	19X6 angle	13	NP1/4
SFC-H501-03SM	65	35	25X6 angle	14.4	NP3/8



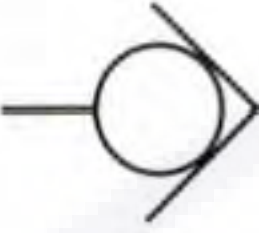

Part No.	LS	φD	HS	A	T
SFC-H501-02PF	32.5	11.2	19X6 angle	13	NP1/4
SFC-H501-03PF	40	35	32X6 angle	13.5	NP3/8

Quick Coupling



# Quick Coupling

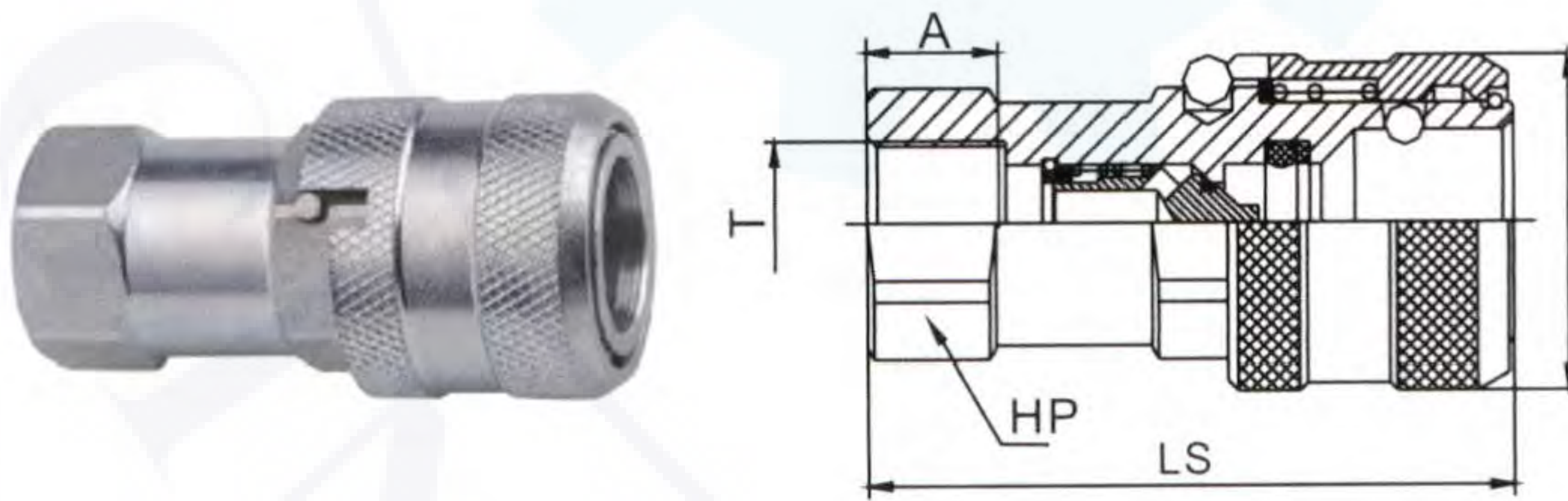
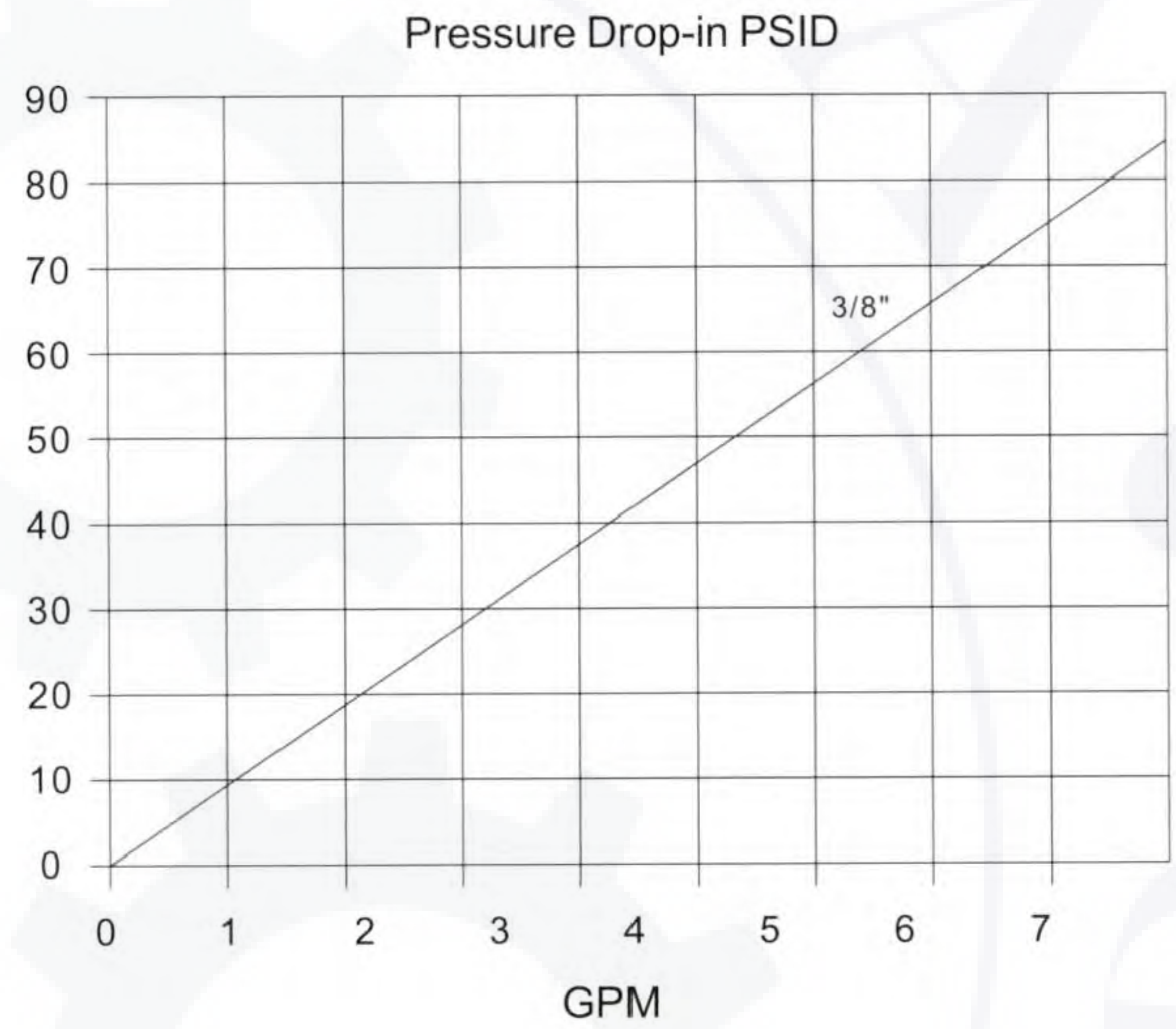
## SFC-H502 (70 Mpa) Super High Pressure Hydraulic Quick Coupling

Mainly suitable for fluid  Open close-type ends 

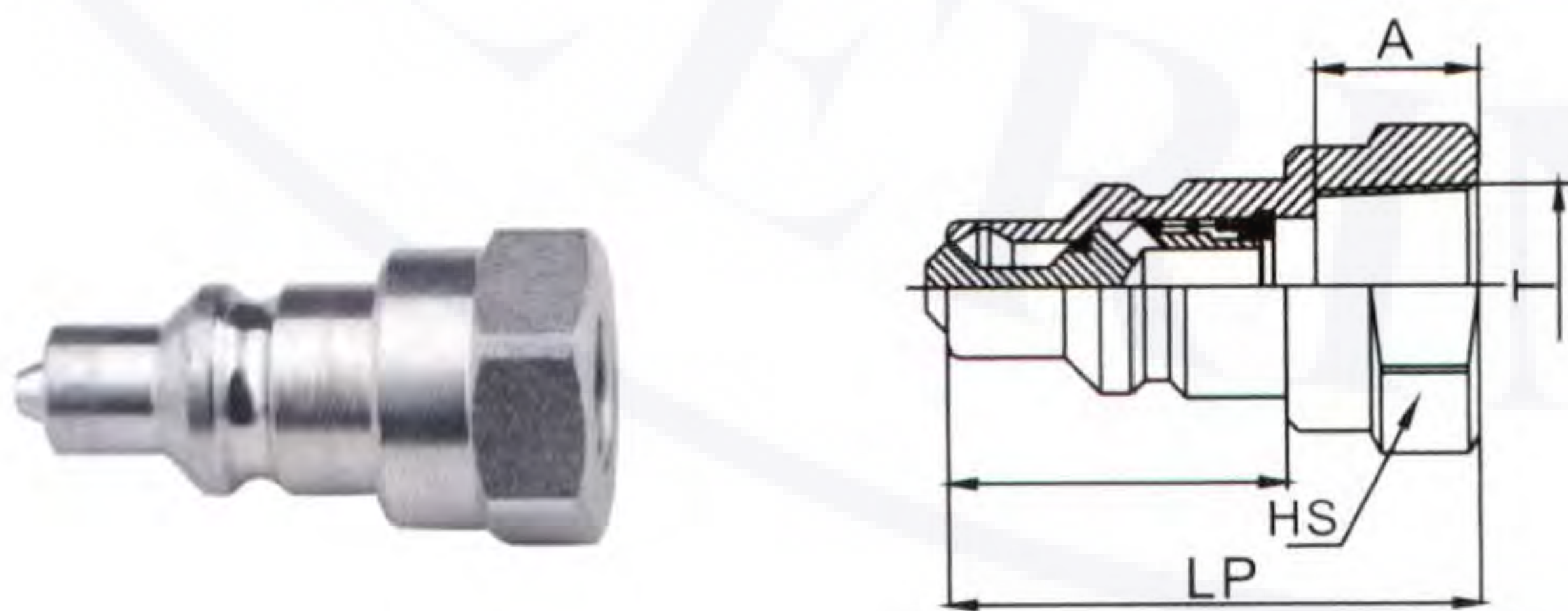
- Series conforms to the standards of ISO 7241-A.
- Compatible with PARKER TC Series.

Specifications	
Body Size(in)	3/8
Rated pressure(PSI)	10,000
Rated flow(GPM)	6
Temperature range(std seals)	-20°C~+80°C
Standard seal material is Fluorocarbon	

## SFC-H502



Part No.	LS	φD	HS	A	T
SFC-H502	64	31.5	24	14	NPT3/8



Part No.	LS	φD	HS	A	T
SFC-H502	46	28	24	14	NPT3/8

Quick Coupling

# Quick Coupling

## SFC-H601

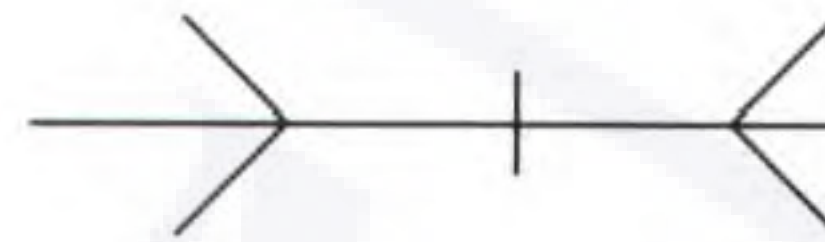
### Close Type Hydraulic Quick Coupling

- SFC-H601 Compatible with PARKER FE ST Series, HANSEN ST Series, FOSTERF ST Series.

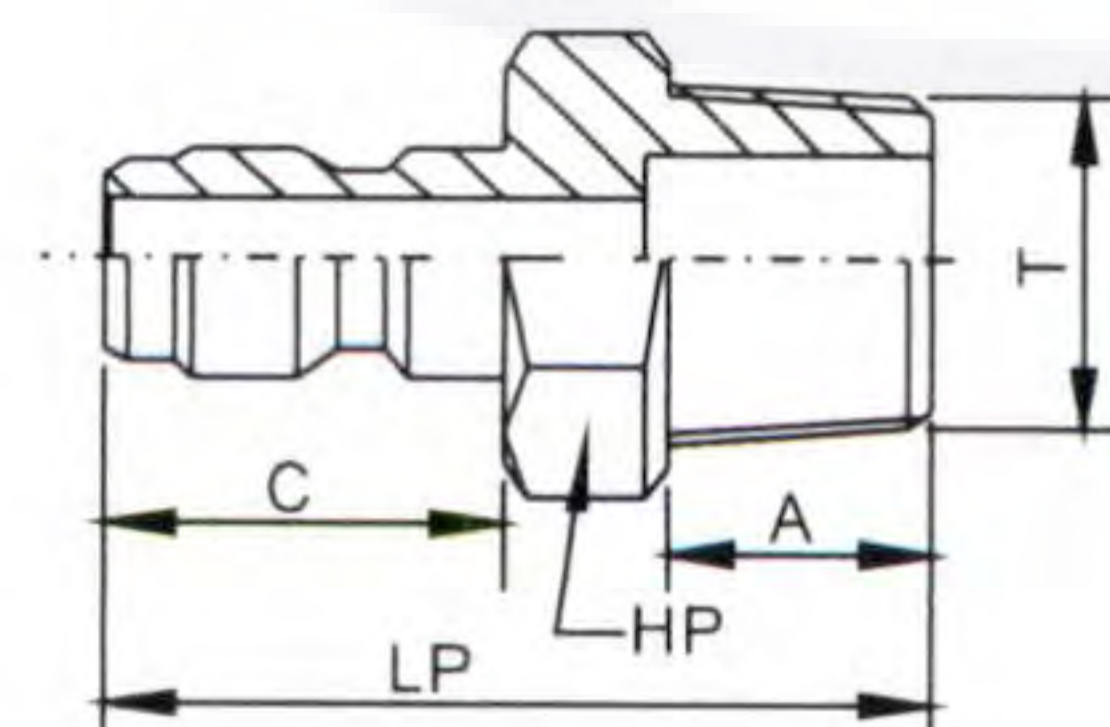
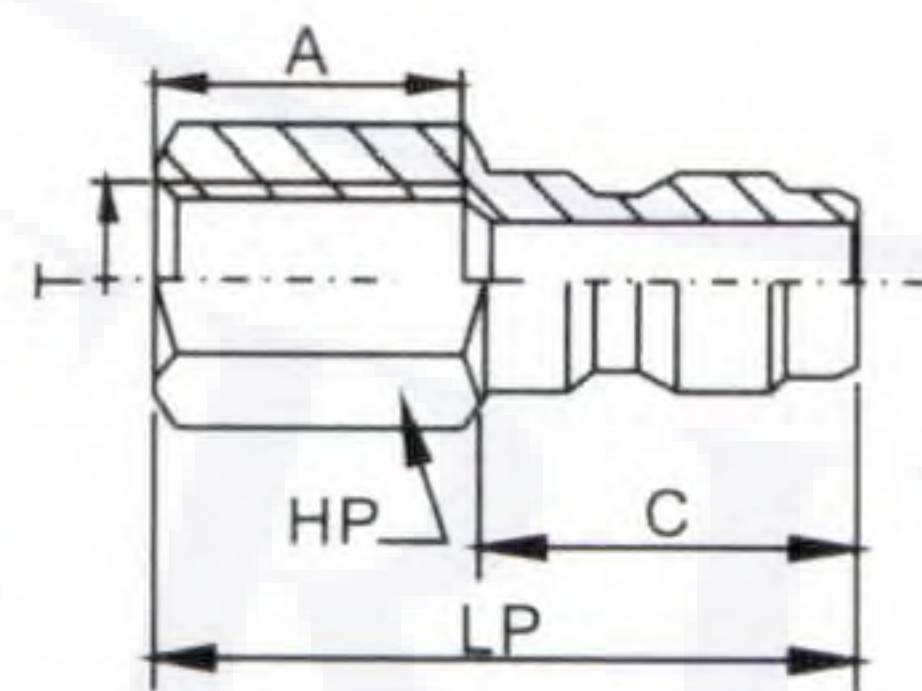
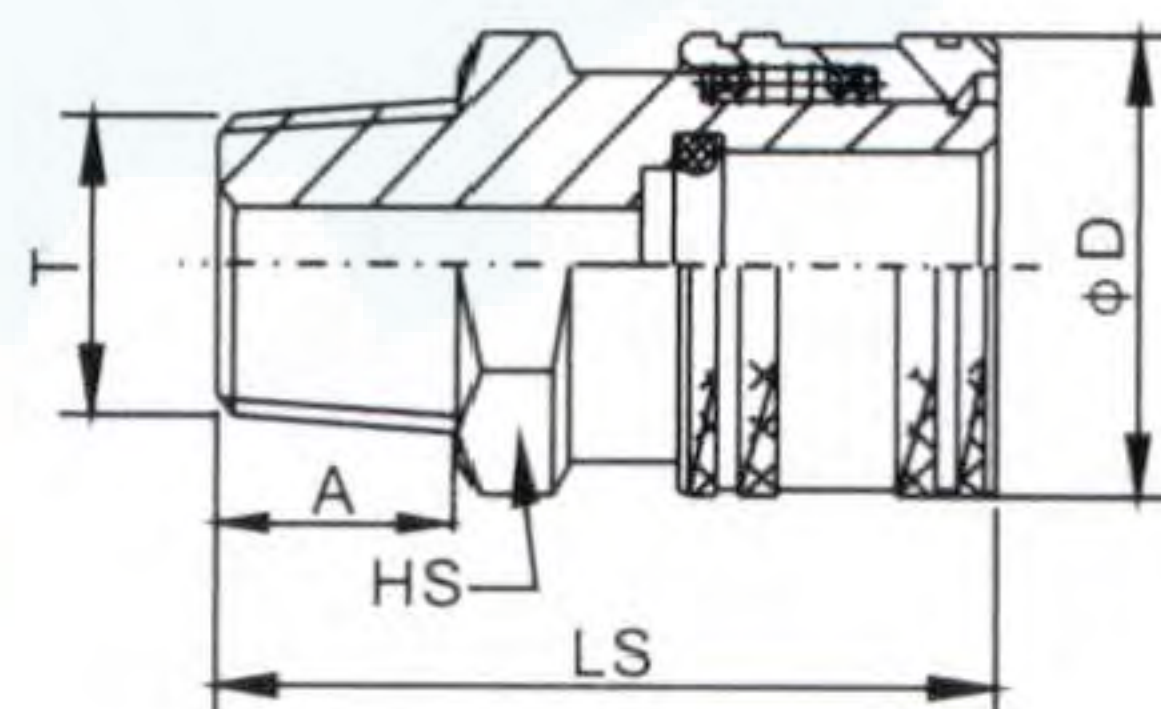
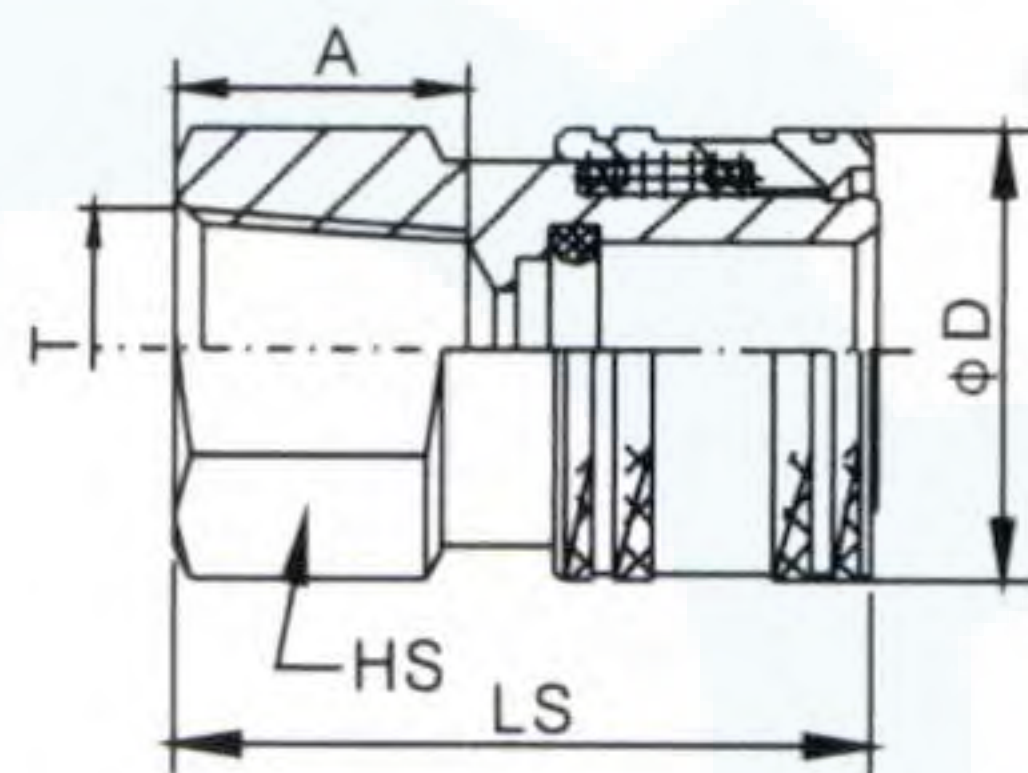
Material Science : Brass

## SFC-H601

Mainly suitable for fluid



Both ends open type



### Specifications

Body Size(in)	1/8	1/4	3/8	1/2
Rated pressure(PSI)				
Brass	1000	1000	1000	1000
Steel	2000	2000	1500	1500
Rated flow(GPM)	3	6	12	12
Temperture range(std seals)	-20°C~+80°C			

Part No.	LS	φD	HS	A	T
SFC-H601-01SF	25.4	18	14*6 angle	9	NPT 1/8
SFC-H601-02SF	37.3	24	19*6 angle	13	NPT 1/4
SFC-H601-03SF	40.4	29	24*6 angle	13	NPT 3/8
SFC-H601-04SF	48.5	33.3	29*6 angle	17	NPT 1/2
SFC-H601-06SF	52.1	41.7	36*6 angle	19	NPT 3/4
SFC-H601-08SF	58.7	50.8	45*6 angle	22	NPT 1
SFC-H601-10SF	62	64	50*6 angle	23	NPT 1-1/4
SFC-H601-12SF	72.9	75	63.5*6 angle	25	NPT 1-1/2

Part No.	LS	φD	HS	A	T
SFC-H601-01SM	26.9	18	14*6 angle	9	NPT 1/8
SFC-H601-02SM	42.9	24	19*6 angle	13	NPT 1/4
SFC-H601-03SM	44.5	29	24*6 angle	13	NPT 3/8
SFC-H601-04SM	50.5	33.3	29*6 angle	17	NPT 1/2
SFC-H601-06SM	55.1	41.7	36*6 angle	19	NPT 3/4
SFC-H601-08SM	64.3	50.8	45*6 angle	22	NPT 1

Part No.	LS	φD	HS	A	T
SFC-H601-01PF	24.8	10.5	12*6 angle	9	NPT 1/8
SFC-H601-02PF	35.2	18.9	17*6 angle	13	NPT 1/4
SFC-H601-03PF	41.3	22.2	19*6 angle	13	NPT 3/8
SFC-H601-04PF	46.9	23.8	22*6 angle	17	NPT 1/2
SFC-H601-06PF	51.8	28	32*6 angle	19	NPT 3/4
SFC-H601-08PF	54.9	30.6	41*6 angle	22	NPT 1
SFC-H601-10PF	60.3	34.1	50*6 angle	23	NPT 1-1/4
SFC-H601-12PF	71.3	43.5	54*6 angle	26	NPT 1-1/2

Part No.	LS	φD	HS	A	T
SFC-H601-01PM	32	10.5	12*6 angle	9	NPT 1/8
SFC-H601-02PM	38	18.9	17*6 angle	13	NPT 1/4
SFC-H601-03PM	43	22.2	19*6 angle	13	NPT 3/8
SFC-H601-04PM	52	23.8	22*6 angle	17	NPT 1/2
SFC-H601-06PM	59	28	32*6 angle	19	NPT 3/4

# Hydraulic fittings

## Hydraulic fittings

**H3700** 


Model	female X female (PT)
H3700x2	1/8"x1/8"
H3700x4	1/4"x1/4"
H3700x6	3/8"x3/8"
H3700x8	1/2"x1/2"

**H3400** 

Model	PT X PT
H3400x2	1/8"x1/8"
H3400x4	1/4"x1/4"
H3400x6	3/8"x3/8"
H3400x8	1/2"x1/2"
H3400x12	3/4"x3/4"
H3400x16	1"x1"

**H3152** 

Model	PT
H3152x2	1/8"
H3152x4	1/4"
H3152x6	3/8"
H3152x8	1/2"
H3152x12	3/4"
H3152x16	1"

**H45° 3325** 


Model	PT X PT
H45° 3325x2x2	1/8"x1/8"
H45° 3325x4x2	1/4"x1/8"
H45° 3325x4x4	1/4"x1/4"
H45° 3325x6x2	3/8"x1/8"
H45° 3325x6x4	3/8"x1/4"
H45° 3325x6x6	3/8"x3/8"
H45° 3325x8x4	1/2"x1/4"
H45° 3325x8x6	1/2"x3/8"
H45° 3325x8x8	1/2"x1/2"
H45° 3325x12x8	3/4"x1/2"
H45° 3325x12x12	3/4"x3/4"
H45° 3325x16x8	1"x1/2"
H45° 3325x16x12	1"x3/4"
H45° 3325x16x16	1"x1"

**H3650** 


Model	PT X PT
H3650x2	1/8"x1/8"
H3650x4	1/4"x1/4"
H3650x6	3/8"x3/8"
H3650x8	1/2"x1/2"

**H3200** 


Model	PT X PT A X B
H3200x2x2	1/8"x1/8"
H3200x2x4	1/8"x1/4"
H3200x4x2	1/4"x1/8"
H3200x4x4	1/4"x1/4"
H3200x4x6	1/4"x3/8"
H3200x6x2	3/8"x1/8"
H3200x6x4	3/8"x1/4"
H3200x6x6	3/8"x3/8"
H3200x6x8	3/8"x1/2"
H3200x8x4	1/2"x1/4"
H3200x8x6	1/2"x3/8"
H3200x8x8	1/2"x1/2"
H3200x8x12	1/2"x3/4"
H3200x12x8	3/4"x1/2"
H3200x12x12	3/4"x3/4"
H3200x12x16	3/4"x1"
H3200x16x8	1"x1/2"
H3200x16x12	1"x3/4"
H3200x16x16	1"x1"

**H90° 3325** 


Model	PT X PT
H90° 3325x2x2	1/8"x1/8"
H90° 3325x4x2	1/4"x1/8"
H90° 3325x4x4	1/4"x1/4"
H90° 3325x6x2	3/8"x1/8"
H90° 3325x6x4	3/8"x1/4"
H90° 3325x6x6	3/8"x3/8"
H90° 3325x8x4	1/2"x1/4"
H90° 3325x8x6	1/2"x3/8"
H90° 3325x8x8	1/2"x1/2"
H90° 3325x12x8	3/4"x1/2"
H90° 3325x12x12	3/4"x3/4"
H90° 3325x16x8	1"x1/2"
H90° 3325x16x12	1"x3/4"
H90° 3325x16x16	1"x1"

**H3500** 


Model	PT X PT
H3500x2	1/8"x1/8"
H3500x4	1/4"x1/4"
H3500x6	3/8"x3/8"
H3500x8	1/2"x1/2"
H3500x12	3/4"x3/4"
H3500x16	1"x1"

**H3300** 


Model	PT X PT
H3300x2x2	1/8"x1/8"
H3300x4x2	1/4"x1/8"
H3300x4x4	1/4"x1/4"
H3300x6x2	3/8"x1/8"
H3300x6x4	3/8"x1/4"
H3300x6x6	3/8"x3/8"
H3300x8x4	1/2"x1/4"
H3300x8x6	1/2"x3/8"
H3300x8x8	1/2"x1/2"
H3300x12x8	3/4"x1/2"
H3300x12x12	3/4"x3/4"
H3300x16x8	1"x1/2"
H3300x16x12	1"x3/4"
H3300x16x16	1"x1"

**H90° 139** 


Model	Hose I.D. X PT A X B
H90° 139x5x2	5/16"x1/8"
H90° 139x6x2	3/8"x1/8"
H90° 139x4x4	1/4"x1/4"
H90° 139x5x4	5/16x1/4"
H90° 139x6x4	3/8"x1/4"
H90° 139x6x6	1/4"x3/8"
H90° 139x8x6	1/4"x3/8"
H90° 139x6x8	3/8"x1/2"
H90° 139x8x8	1/2"x1/2"
H90° 139x12x8	3/4"x1/2"
H90° 139x12x12	3/4"x3/4"
H90° 139x16x12	1"x3/4"
H90° 139x16x16	1"x1"

**H3220** 

Model	PT X PT
H3220x4x2	1/4"x1/8"
H3220x6x2	3/8"x1/8"
H3220x6x4	3/8"x1/4"
H3220x8x4	1/2"x1/4"
H3220x8x6	1/2"x3/8"
H3220x12x8	3/4"x1/2"
H3220x16x8	1"x1/2"
H3220x16x12	1"x3/4"

**H139** 

Model	Hose I.D. X PT A X B
H139x2x2	1/8"x1/8"
H139x2x4	1/8"x1/4"
H139x3x2	3/16"x1/8"
H139x3x4	3/16x1/4"
H139x4x2	1/4"x1/8"
H139x4x4	1/4"x1/4"
H139x4x6	1/4"x3/8"
H139x4x8	1/4"x1/2"
H139x5x2	5/16"x1/8"
H139x5x4	5/16"x1/4"
H139x5x6	5/16"x3/8"
H139x5x8	5/16"x1/2"
H139x6x2	3/8"x1/8"
H139x6x4	3/8"x1/4"
H139x6x6	3/8"x3/8"
H139x6x8	3/8"x1/2"
H139x6x12	3/8"x3/4"
H139x8x4	1/2"x1/4"
H139x8x6	1/2"x3/8"
H139x8x8	1/2"x1/2"
H139x8x12	1/2"x3/4"
H139x10x6	5/8"x3/8"
H139x10x8	5/8"x1/2"
H139x10x12	5/8"x3/4"
H139x10x16	5/8"x1"
H139x12x8	3/4"x1/2"
H139x12x12	3/4"x3/4"
H139x12x16	3/4"x1"
H139x16x8	1"x1/2"
H139x16x16	1"x1"

**H3325** 

Model	PT X PT
H3325x2x2	1/8"x1/8"
H3325x4x2	1/4"x1/8"
H3325x4x4	1/4"x1/4"
H3325x6x2	3/8"x1/8"
H3325x6x4	3/8"x1/4"
H3325x6x6	3/8"x3/8"
H3325x8x4	1/2"x1/4"
H3325x8x6	1/2"x3/8"
H3325x8x8	1/2"x1/2"
H3325x12x8	3/4"x1/2"
H3325x12x12	3/4"x3/4"
H3325x16x8	1"x1/2"
H3325x16x12	1"x3/4"
H3325x16x16	1"x1"

**H45° 139** 

Model	Hose I.D. X PT A X B
H45° 139x4x2	1/4"x1/8"
H45° 139x5x2	5/16"x1/8"
H45° 139x6x2	3/8"x1/8"
H45° 139x4x4	1/4"x1/4"
H45° 139x5x4	5/16x1/4"
H45° 139x6x4	3/8"x1/4"
H45° 139x8x6	1/4"x3/8"
H45° 139x6x8	3/8"x1/2"
H45° 139x8x8	1/2"x1/2"
H45° 139x12x8	3/4"x1/2"
H45° 139x12x12	3/4"x3/4"
H45° 139x16x12	1"x3/4"
H45° 139x16x16	1"x1"

**H90° 3325-L** 

Model	PT X PT
H90° 3325-Lx2	1/8"
H90° 3325-Lx4	1/4"
H90° 3325-Lx6	3/8"
H90° 3325-Lx8	1/2"

# Hydraulic fittings

## Hydraulic fittings

**H60**



Model	Tube X Tube
H60x6MM	6MM
H60x8MM	8MM
H60x10MM	10MM
H60x12MM	12MM
H60x15MM	15MM
H60x20MM	20MM
H60x22MM	22MM

**H62**



Model	Tube X Tube
H62x6MM	6MMx6MM
H62x8MM	8MMx8MM
H62x10MM	10MMx10MM
H62x12MM	12MMx12MM
H62x15MM	15MMx15MM
H62x20MM	20MMx20MM
H62x22MM	22MMx22MM

**H64**



Model	Tube X Tube
H64x6MM	6MMx6MM
H64x8MM	8MMx8MM
H64x10MM	10MMx10MM
H64x12MM	12MMx12MM
H64x15MM	15MMx15MM
H64x20MM	20MMx20MM
H64x22MM	22MMx22MM

**H65**



Model	Tube X Tube
H65x6MM	6MMx6MM
H65x8MM	8MMx8MM
H65x10MM	10MMx10MM
H65x12MM	12MMx12MM
H65x15MM	15MMx15MM
H65x20MM	20MMx20MM
H65x22MM	22MMx22MM

**P3152**



Model	PF60°
P3152x2	1/8"
P3152x4	1/4"
P3152x6	3/8"
P3152x8	1/2"
P3152x12	3/4"
P3152x16	1"

**H68**



Model	Tube X male (PT)
H68x8x4	8MMx1/4"
H68x10x4	10MM"x1/4"
H68x12x6	12MMx3/8"
H68x15x6	15MMx3/8"
H68x15x8	15MMx1/2"
H68x18x8	18MMx1/2"
H68x20x6	20MMx3/8"
H68x20x8	20MMx1/2"
H68x22x6	22MMx3/8"
H68x22x8	22MMx1/2"

**H69**



Model	Tube X male (PT)
H69x8x4	8MMx1/4"
H69x10x4	10MM"x1/4"
H69x12x6	12MMx3/8"
H69x15x6	15MMx3/8"
H69x15x8	15MMx1/2"
H69x18x8	18MMx1/2"
H69x20x6	20MMx3/8"
H69x20x8	20MMx1/2"
H69x22x6	22MMx3/8"
H69x22x8	22MMx1/2"

**H72**



Model	Tube X male (PT)
H72x8x4	8MMx1/4"
H72x10x4	10MM"x1/4"
H72x12x6	12MMx3/8"
H72x15x6	15MMx3/8"
H72x15x8	15MMx1/2"
H72x18x8	18MMx1/2"
H72x20x6	20MMx3/8"
H72x20x8	20MMx1/2"
H72x22x6	22MMx3/8"
H72x22x8	22MMx1/2"

**PP44**



Model	PF60°XPF60°XPF60°
PP44x2	1/8"
PP44x3	3/16"
PP44x4	1/4"
PP44x5	5/16"
PP44x6	3/8"
PP44x8	1/2"
PP44x12	3/4"
PP44x16	1"

**PP3325-L**



Model	PF60°
PP3325x2-L	1/8"
PP3325x4-L	1/4"
PP3325x6-L	3/8"
PP3325x8-L	1/2"
PP3325x12-L	3/4"
PP3325x16-L	1"

**P3325**



Model	PF60° X PT
P3325x2x2	1/8"x1/8"
P3325x4x2	1/4"x1/8"
P3325x4x4	1/4"x1/4"
P3325x6x2	3/8"x1/8"
P3325x6x4	3/8"x1/4"
P3325x6x6	3/8"x3/8"
P3325x8x4	1/2"x1/4"
P3325x8x6	1/2"x3/8"
P3325x8x8	1/2"x1/2"
P3325x12x8	3/4"x1/2"
P3325x12x12	3/4"x3/4"
P3325x16x8	1"x1/2"
P3325x16x12	1"x3/4"
P3325x16x16	1"x1"

**P90° 3325**



Model	PF60° X PT
P90° 3325x2x2	1/8"x1/8"
P90° 3325x4x2	1/4"x1/8"
P90° 3325x4x4	1/4"x1/4"
P90° 3325x6x2	3/8"x1/8"
P90° 3325x6x4	3/8"x1/4"
P90° 3325x6x6	3/8"x3/8"
P90° 3325x8x4	1/2"x1/4"
P90° 3325x8x6	1/2"x3/8"
P90° 3325x8x8	1/2"x1/2"
P90° 3325x12x8	3/4"x1/2"
P90° 3325x12x12	3/4"x3/4"
P90° 3325x16x8	1"x1/2"
P90° 3325x16x12	1"x3/4"
P90° 3325x16x16	1"x1"

**P45° 3325**



Model	PF45° X PT
P45° 3325x2x2	1/8"x1/8"
P45° 3325x4x2	1/4"x1/8"
P45° 3325x4x4	1/4"x1/4"
P45° 3325x6x2	3/8"x1/8"
P45° 3325x6x4	3/8"x1/4"
P45° 3325x6x6	3/8"x3/8"
P45° 3325x8x4	1/2"x1/4"
P45° 3325x8x6	1/2"x3/8"
P45° 3325x8x8	1/2"x1/2"
P45° 3325x12x8	3/4"x1/2"
P45° 3325x12x12	3/4"x3/4"
P45° 3325x16x8	1"x1/2"
P45° 3325x16x12	1"x3/4"
P45° 3325x16x16	1"x1"

**PP90° 3325**



Model	PF60° X PF60°
PP90° 3325x2x2	1/8"x1/8"
PP90° 3325x4x2	1/4"x1/8"
PP90° 3325x4x4	1/4"x1/4"
PP90° 3325x6x2	3/8"x1/8"
PP90° 3325x6x4	3/8"x1/4"
PP90° 3325x6x6	3/8"x3/8"
PP90° 3325x8x4	1/2"x1/4"
PP90° 3325x8x6	1/2"x3/8"
PP90° 3325x8x8	1/2"x1/2"
PP90° 3325x12x8	3/4"x1/2"
PP90° 3325x12x12	3/4"x3/4"
PP90° 3325x16x8	1"x1/2"
PP90° 3325x16x12	1"x3/4"
PP90° 3325x16x16	1"x1"

**PP3325**



Model	PF60° X PF60°
PP3325x2x2	1/8"x1/8"
PP3325x4x2	1/4"x1/8"
PP3325x4x4	1/4"x1/4"
PP3325x6x2	3/8"x1/8"
PP3325x6x4	3/8"x1/4"
PP3325x6x6	3/8"x3/8"
PP3325x8x4	1/2"x1/4"
PP3325x8x6	1/2"x3/8"
PP3325x8x8	1/2"x1/2"
PP3325x12x8	3/4"x1/2"
PP3325x12x12	3/4"x3/4"
PP3325x16x8	1"x1/2"
PP3325x16x12	1"x3/4"
PP3325x16x16	1"x1"

# Hydraulic fittings

## Hydraulic fittings



Model	JIC74° X PT
H48x3x2	3/16"x1/8"
H48x4x2	1/4"x1/8"
H48x3x4	3/16"x1/4"
H48x4x4	1/4"x1/4"
H48x5x4	5/16"x1/4"
H48x6x4	3/8"x1/4"
H48x8x4	1/2"x1/4"
H48x4x6	1/4"x3/8"
H48x5x6	5/16"x3/8"
H48x6x6	3/8"x3/8"
H48x8x6	1/2"x3/8"
H48x4x8	1/4"x1/2"
H48x5x8	5/16"x1/2"
H48x6x8	3/8"x1/2"
H48x8x8	1/2"x1/2"
H48x10x8	3/8"x1/2"
H48x12x8	5/8"x1/2"
H48x12x12	3/4"x3/4"
H48x16x16	1"x1"



Model	JIC74° XPT
H45° 48x3x2	3/16"x1/8"
H45° 48x4x2	1/4"x1/8"
H45° 48x3x4	3/16"x1/4"
H45° 48x4x4	1/4"x1/4"
H45° 48x5x4	5/16"x1/4"
H45° 48x6x4	3/8"x1/4"
H45° 48x8x4	1/2"x1/4"
H45° 48x4x6	1/4"x3/8"
H45° 48x5x6	5/16"x3/8"
H45° 48x6x6	3/8"x3/8"
H45° 48x8x6	1/2"x3/8"
H45° 48x4x8	1/4"x1/2"
H45° 48x5x8	5/16"x1/2"
H45° 48x6x8	3/8"x1/2"
H45° 48x8x8	1/2"x1/2"
H45° 48x10x8	3/8"x1/2"
H45° 48x12x8	5/8"x1/2"
H45° 48x12x12	3/4"x3/4"
H45° 48x16x16	1"x1"



Model	JIC74° X PT
H90° 48x3x2	3/16"x1/8"
H90° 48x4x2	1/4"x1/8"
H90° 48x3x4	3/16"x1/4"
H90° 48x4x4	1/4"x1/4"
H90° 48x5x4	5/16"x1/4"
H90° 48x6x4	3/8"x1/4"
H90° 48x8x4	1/2"x1/4"
H90° 48x4x6	1/4"x3/8"
H90° 48x5x6	5/16"x3/8"
H90° 48x6x6	3/8"x3/8"
H90° 48x8x6	1/2"x3/8"
H90° 48x4x8	1/4"x1/2"
H90° 48x5x8	5/16"x1/2"
H90° 48x6x8	3/8"x1/2"
H90° 48x8x8	1/2"x1/2"
H90° 48x10x8	3/8"x1/2"
H90° 48x12x8	5/8"x1/2"
H90° 48x12x12	3/4"x3/4"
H90° 48x16x16	1"x1"



Model	JIC74° X PT
J48x3x2	3/16"x1/8"
J48x4x2	1/4"x1/8"
J48x3x4	3/16"x1/4"
J48x4x4	1/4"x1/4"
J48x5x4	5/16"x1/4"
J48x6x4	3/8"x1/4"
J48x8x4	1/2"x1/4"
J48x4x6	1/4"x3/8"
J48x5x6	5/16"x3/8"
J48x6x6	3/8"x3/8"
J48x8x6	1/2"x3/8"
J48x4x8	1/4"x1/2"
J48x5x8	5/16"x1/2"
J48x6x8	3/8"x1/2"
J48x8x8	1/2"x1/2"
J48x10x8	3/8"x1/2"
J48x12x8	5/8"x1/2"
J48x12x12	3/4"x3/4"
J48x16x16	1"x1"



Model	JIC74° X JIC74°
J90° 48x3x2	3/16"x1/8"
J90° 48x4x2	1/4"x1/8"
J90° 48x3x4	3/16"x1/4"
J90° 48x4x4	1/4"x1/4"
J90° 48x5x4	5/16"x1/4"
J90° 48x6x4	3/8"x1/4"
J90° 48x8x4	1/2"x1/4"
J90° 48x4x6	1/4"x3/8"
J90° 48x5x6	5/16"x3/8"
J90° 48x6x6	3/8"x3/8"
J90° 48x8x6	1/2"x3/8"
J90° 48x4x8	1/4"x1/2"
J90° 48x5x8	5/16"x1/2"
J90° 48x6x8	3/8"x1/2"
J90° 48x8x8	1/2"x1/2"
J90° 48x10x8	3/8"x1/2"
J90° 48x12x8	5/8"x1/2"
J90° 48x12x12	3/4"x3/4"
J90° 48x16x16	1"x1"



Model	JIC74° XPT
H90° 48-Lx3x2	3/16"x1/8"
H90° 48-Lx4x2	1/4"x1/8"
H90° 48-Lx3x4	3/16"x1/4"
H90° 48-Lx4x4	1/4"x1/4"
H90° 48-Lx5x4	5/16"x1/4"
H90° 48-Lx6x4	3/8"x1/4"
H90° 48-Lx8x4	1/2"x1/4"
H90° 48-Lx4x6	1/4"x3/8"
H90° 48-Lx5x6	5/16"x3/8"
H90° 48-Lx6x6	3/8"x3/8"
H90° 48-Lx8x6	1/2"x3/8"
H90° 48-Lx4x8	1/4"x1/2"
H90° 48-Lx5x8	5/16"x1/2"
H90° 48-Lx6x8	3/8"x1/2"
H90° 48-Lx8x8	1/2"x1/2"
H90° 48-Lx10x8	3/8"x1/2"
H90° 48-Lx12x8	5/8"x1/2"
H90° 48-Lx12x12	3/4"x3/4"
H90° 48-Lx16x16	1"x1"



Model	JIC74° X JIC74° A X B
PF48x3x2	3/16"x1/8"
PF48x4x2	1/4"x1/8"
PF48x3x4	3/16"x1/4"
PF48x4x4	1/4"x1/4"
PF48x5x4	5/16"x1/4"
PF48x6x4	3/8"x1/4"
PF48x8x4	1/2"x1/4"
PF48x4x6	1/4"x3/8"
PF48x5x6	5/16"x3/8"
PF48x6x6	3/8"x3/8"
PF48x8x6	1/2"x3/8"
PF48x4x8	1/4"x1/2"
PF48x5x8	5/16"x1/2"
PF48x6x8	3/8"x1/2"
PF48x8x8	1/2"x1/2"
PF48x10x8	3/8"x1/2"
PF48x12x8	5/8"x1/2"
PF48x12x12	3/4"x3/4"
PF48x16x16	1"x1"



Model	JIC74° X JIC74° A X B
PF90° 48x3x2	3/16"x1/8"
PF90° 48x4x2	1/4"x1/8"
PF90° 48x3x4	3/16"x1/4"
PF90° 48x4x4	1/4"x1/4"
PF90° 48x5x4	5/16"x1/4"
PF90° 48x6x4	3/8"x1/4"
PF90° 48x8x4	1/2"x1/4"
PF90° 48x4x6	1/4"x3/8"
PF90° 48x5x6	5/16"x3/8"
PF90° 48x6x6	3/8"x3/8"
PF90° 48x8x6	1/2"x3/8"
PF90° 48x4x8	1/4"x1/2"
PF90° 48x5x8	5/16"x1/2"
PF90° 48x6x8	3/8"x1/2"
PF90° 48x8x8	1/2"x1/2"
PF90° 48x10x8	3/8"x1/2"
PF90° 48x12x8	5/8"x1/2"
PF90° 48x12x12	3/4"x3/4"
PF90° 48x16x16	1"x1"



Model	JIC74° XPT
M45° 48x3x2	3/16"x1/8"
M45° 48x4x2	1/4"x1/8"
M45° 48x3x4	3/16"x1/4"
M45° 48x4x4	1/4"x1/4"
M45° 48x5x4	5/16"x1/4"
M45° 48x6x4	3/8"x1/4"
M45° 48x8x4	1/2"x1/4"
M45° 48x4x6	1/4"x3/8"
M45° 48x5x6	5/16"x3/8"
M45° 48x6x6	3/8"x3/8"
M45° 48x8x6	1/2"x3/8"
M45° 48x4x8	1/4"x1/2"
M45° 48x5x8	5/16"x1/2"
M45° 48x6x8	3/8"x1/2"
M45° 48x8x8	1/2"x1/2"
M45° 48x10x8	3/8"x1/2"
M45° 48x12x8	5/8"x1/2"
M45° 48x12x12	3/4"x3/4"
M45° 48x16x16	1"x1"




Model	JIC74° XPT
M90° 48x3x2	3/16"x1/8"
M90° 48x4x2	1/4"x1/8"
M90° 48x3x4	3/16"x1/4"
M90° 48x4x4	1/4"x1/4"
M90° 48x5x4	5/16"x1/4"
M90° 48x6x4	3/8"x1/4"
M90° 48x8x4	1/2"x1/4"
M90° 48x4x6	1/4"x3/8"
M90° 48x5x6	5/16"x3/8"
M90° 48x6x6	3/8"x3/8"
M90° 48x8x6	1/2"x3/8"
M90° 48x4x8	1/4"x1/2"
M90° 48x5x8	5/16"x1/2"
M90° 48x6x8	3/8"x1/2"
M90° 48x8x8	1/2"x1/2"
M90° 48x10x8	3/8"x1/2"
M90° 48x12x8	5/8"x1/2"
M90° 48x12x12	3/4"x3/4"
M90° 48x16x16	1"x1"

Hydraulic fittings

# Hydraulic fittings


## Hydraulic fittings

**P90° M3325**



Model	PF60° X PT
P90° M3325x2x2	1/8"x1/8"
P90° M3325x4x2	1/4"x1/8"
P90° M3325x4x4	1/4"x1/4"
P90° M3325x6x2	3/8"x1/8"
P90° M3325x6x4	3/8"x1/4"
P90° M3325x6x6	3/8"x3/8"
P90° M3325x8x4	1/2"x1/4"
P90° M3325x8x6	1/2"x3/8"
P90° M3325x8x8	1/2"x1/2"
P90° M3325x12x8	3/4"x1/2"
P90° M3325x12x12	3/4"x3/4"
P90° M3325x16x8	1"x1/2"
P90° M3325x16x12	1"x3/4"
P90° M3325x16x16	1"x1"

**PF90° 3325**




Model	PF60° X PF60° A X B
PF90° 3325x4x4	1/4"x1/4"
PF90° 3325x6x2	3/8"x1/8"
PF90° 3325x6x4	3/8"x1/4"
PF90° 3325x6x6	3/8"x3/8"
PF90° 3325x8x4	1/2"x1/4"
PF90° 3325x8x6	1/2"x3/8"
PF90° 3325x8x8	1/2"x1/2"
PF90° 3325x12x8	3/4"x1/2"
PF90° 3325x12x12	3/4"x3/4"
PF90° 3325x16x8	1"x1/2"
PF90° 3325x16x12	1"x3/4"
PF90° 3325x16x16	1"x1"

**P90° 3325-L**



Model	PF60° X PT
P90° 3325-Lx2x2	1/8"x1/8"
P90° 3325-Lx4x2	1/4"x1/8"
P90° 3325-Lx4x4	1/4"x1/4"
P90° 3325-Lx6x2	3/8"x1/8"
P90° 3325-Lx6x4	3/8"x1/4"
P90° 3325-Lx6x6	3/8"x3/8"
P90° 3325-Lx8x4	1/2"x1/4"
P90° 3325-Lx8x6	1/2"x3/8"
P90° 3325-Lx8x8	1/2"x1/2"
P90° 3325-Lx12x8	3/4"x1/2"
P90° 3325-Lx12x12	3/4"x3/4"
P90° 3325-Lx16x8	1"x1/2"
P90° 3325-Lx16x12	1"x3/4"
P90° 3325-Lx16x16	1"x1"

**PF3325**



Model	PF60° X PF60° A X B
PF3325x4x4	1/4"x1/4"
PF3325x6x2	3/8"x1/8"
PF3325x6x4	3/8"x1/4"
PF3325x6x6	3/8"x3/8"
PF3325x8x4	1/2"x1/4"
PF3325x8x6	1/2"x3/8"
PF3325x8x8	1/2"x1/2"
PF3325x12x8	3/4"x1/2"
PF3325x12x12	3/4"x3/4"
PF3325x16x8	1"x1/2"
PF3325x16x12	1"x3/4"
PF3325x16x16	1"x1"

**PF3152**



Model	PF60°
PF3152x2	1/8"
PF3152x4	1/4"
PF3152x6	3/8"
PF3152x8	1/2"
PF3152x12	3/4"
PF3152x16	1"

**P90°**




Model	PT X PF60°
P90° 4x4	1/4"
P90° 6x6	3/8"
P90° 8x8	1/2"
P90° 12x12	3/4"
P90° 16x16	1"

**J3152**



Model	JIC74°
J3152x2	1/8"
J3152x4	1/4"
J3152x6	3/8"
J3152x8	1/2"
J3152x12	3/4"
J3152x16	1"

**J**




Model	PT X JIC74°
J4x4	1/4"
J6x6	3/8"
J8x8	1/2"
J12x12	3/4"
J16x16	1"

**J90°**



Model	PT X JIC74°
J90° 4x4	1/4"
J90° 6x6	3/8"
J90° 8x8	1/2"
J90° 12x12	3/4"
J90° 16x16	1"

**P**




Model	PT X PF60°
P4x4	1/4"
P6x6	3/8"
P8x8	1/2"
P12x12	3/4"
P16x16	1"

**22191**




Model	male X Tube
22191-02-04	G1/8"X28
22191-04-03	G1/4"X19
22191-04-04	G1/4"X19
22191-06-05	G3/8"X19
22191-06-06	G3/8"X19
22191-06-06	G3/8"X19
22191-06-08	G1/2"X28
22191-08-06	G1/2"X28
22191-08-10	G1/2"X28
22191-10-10	G5/8"X28
22191-10-12	G5/8"X28
22191-12-08	G3/4"X28
22191-12-12	G3/4"X28
22191-16-12	G3/4"X28
22191-16-14	G1"X11
22191-16-16	G1"X11
22191-20-16	G1"X11

**H44**




Model	JIC74° X JIC74° CXIC74°
H44x2	1/8"
H44x3	3/16"
H44x4	1/4"
H44x5	5/16"
H44x6	3/8"
H44x8	1/2"
H44x12	3/4"
H44x16	1"

**M44**




Model	JIC74° X JIC74° CXIC74°
M44x2	1/8"
M44x3	3/16"
M44x4	1/4"
M44x5	5/16"
M44x6	3/8"
M44x8	1/2"
M44x12	3/4"
M44x16	1"

**P3300**



Model	PF60° X PF60°
P3300x4x4	1/4"
P3300x6x6	3/8"
P3300x8x8	1/2"
P3300x12x12	3/4"
P3300x16x16	1"

**22111**



Model	male X Tube
22111-02-04	G1/8"X28
22111-04-03	G1/4"X19
22111-04-04	G1/4"X19
22111-06-05	G3/8"X19
22111-06-06	G3/8"X19
22111-06-06	G3/8"X19
22111-06-08	G1/2"X28
22111-08-06	G1/2"X28
22111-08-10	G1/2"X28
22111-10-10	G5/8"X28
22111-10-12	G5/8"X28
22111-12-08	G3/4"X28
22111-12-12	G3/4"X28
22111-16-12	G3/4"X28
22111-16-14	G1"X11
22111-16-16	G1"X11
22111-20-16	G1"X11

# Pump / Hose

## Self suction pump



Voltage		110V/220V or 220V/380V or 220V/440V or 208V/415V						
Horsepower(HP)	H	Pumping(2m)	Entrance	Outlet	A	B	C	D
DP-1-1/8	175	22L/min	PT3/8"	PT3/8"	142	99	8	48
DP-2-1/4	235	56L/min	PT3/4"	PT1/2"	185	133	9	55
DP-3-1/2	310	100L/min	PT1"	PT3/4"	165	133	10	70

## Immersion pump



Voltage		110V/220V or 220V/380V or 220V/440V or 208V/415V							
Horsepower(HP)	H	A	B	E	D	Y	Outlet	L	Pumping(2m)
1/8HP	150	128	8	125	90	18	PT3/8"	110/130/150/180/210	25L/min
1/4HP	170	158	9	180	125	20	PT1/2"	150/180/210/270	60L/min
1/2HP	230	170	9	180	140	20	PT3/4"	150	107L/min
1/2HP	240	170	10	195	140	25	PT3/4"	175/210/300	107L/min
1HP	295	170	10	195	150	27	PT1"	180/280	160L/min



**HUNP**



**HUNS**



**DN**



**DNN**

Model	
HUNP-1/2"-30	HUNP-1"-30
HUNP-1/2"-50	HUNP-1"-50
HUNP-1/2"-100	HUNP-1"-100
HUNP-3/4"-30	HUNP-1.1/4"-30
HUNP-3/4"-50	HUNP-1.1/2"-30
HUNP-3/4"-100	HUNP-2"-30

Model	
HUNS-1/2"-30	HUNS-1.1/2"-30
HUNS-3/4"-30	HUNS-2"-30
HUNS-1"-30	HUNS-2.1/2"-30
HUNS-1.1/4"-30	

Model
DN50-2"-105
DN65-2.1/2"-115
DN80-3"-135

Model
DNN50-2"-175
DNN65-2.1/2"-175
DNN80-3"-175

## Flexible Hose

**WFHC**



WFHC-405	Flexible Hose (O/D 4mm.×500mm.)
WFHC-408	Flexible Hose (O/D 4mm.×800mm.)
WFHC-410	Flexible Hose (O/D 4mm.×1000mm.)
WFHC-412	Flexible Hose (O/D 4mm.×1200mm.)
WFHC-605	Flexible Hose (O/D 6mm.×500mm.)
WFHC-608	Flexible Hose (O/D 6mm.×800mm.)
WFHC-610	Flexible Hose (O/D 6mm.×1000mm.)
WFHC-612	Flexible Hose (O/D 6mm.×1200mm.)

Custom designed Hydraulic power pack unit

# CUSTOM DESIGNED HYDRAULIC POWER PACK UNIT

**OMAX**<sup>®</sup>



Custom designed  
Hydraulic power  
pack unit



Horizontal Motor



Pressure Gauge



Solenoid Valves



Gear Pump



Pre Shipment Testing



Overview



# Monoblock Directional Control Valves



## Monoblock Directional Control Valves

For Mobile And Industrial Hydraulic Applications



**MB-2**



**MB-3**



**MB-4**



**MB-5**



**MB-6**

CODE
MB2-1S3-18-G3-45L(3/8)

### Hand valve series MB3

CODE
MB3-1S3-18-G3-45L(3/8)
MB3-1S3-18-G4-45L(1/2)
MB3-2S3-18-G3-45L(3/8)
MB3-2S3-18-G4-45L(1/2)
MB3-3S3-18-G3-45L(3/8)
MB3-3S3-18-G4-45L(1/2)
MB3-4S3-18-G3-45L(3/8)
MB3-4S3-18-G4-45L(1/2)
MB3-5S3-18-G3-45L(3/8)
MB3-5S3-18-G4-45L(1/2)

### Hand valve series MB4

CODE
MB4-1S3-18-G3-60L(3/8)
MB4-1S3-18-G4-60L(1/2)
MB4-2S3-18-G3-60L(3/8)
MB4-2S3-18-G4-60L(1/2)
MB4-3S3-18-G3-60L(3/8)
MB4-3S3-18-G4-60L(1/2)
MB4-4S3-18-G3-60L(3/8)
MB4-4S3-18-G4-60L(1/2)
MB4-5S3-18-G3-60L(3/8)
MB4-5S3-18-G4-60L(1/2)

### Hand valve series MB5

CODE
MB5-1S3-18-G3-80L(3/8)
MB5-1S3-18-G4-80L(1/2)
MB5-2S3-18-G3-80L(3/8)
MB5-2S3-18-G4-80L(1/2)
MB5-3S3-18-G3-80L(3/8)
MB5-3S3-18-G4-80L(1/2)
MB5-4S3-18-G3-80L(3/8)
MB5-4S3-18-G4-80L(1/2)
MB5-5S3-18-G3-80L(3/8)
MB5-5S3-18-G4-80L(1/2)

Standard Type Model	<b>MB-2</b>		<b>MB-3</b>		<b>MB-4</b>		<b>MB-5</b>		<b>MB-6</b>	
	MB-2/1S-3/18L/G-3		MB-3/1S-3/18L/G-3		MB-4/1S-3/18L/G-4		MB-5/1S-3/18L/G-446		MB-6/1S-3/18L/G-668	
Nominal Flow Rate	45 l/min	12 US gpm	45 l/min	12 US gpm	60 l/min	16 US gpm	80 l/min	21 US gpm	120 l/min	32 US gpm
Operating Pressure(Max.) Parallel Circuit	250bar	3600psi	315bar	4600psi	315bar	4600psi	315bar	4600psi	315bar	4600psi
Back Pressure(Max.) On Outlet Port T	25bar	360psi	25bar	360psi	25bar	360psi	25bar	360psi	25bar	360psi
Standard Threads	P.T.A.B:3/8"		P.T.A.B:3/8"		P.T.A.B:1/2"		P.A.B:1/2" T:3/4"		P.A.B:3/4" T:1"	

# Cartridge Valve & Lifting Valve



## Cartridge Valve & Lifting Valve Cartridge Solenoid Check Valve

Model	<b>V2063-NC(20)</b>		
Maximum Flow	Rated Flow	Maximum Pressure	
20 l/min 5.3 gal/min	15 l/min 4 gal/min	250 kg/cm <sup>2</sup> 3500 psi	

Model	<b>V2064-GT3-NC</b>		
Maximum Flow	Rated Flow	Maximum Pressure	
20 l/min 5.3 gal/min	15 l/min 4 gal/min	250 kg/cm <sup>2</sup> 3500 psi	

Model	<b>V2066-NC(20)</b>		
Maximum Flow	Rated Flow	Maximum Pressure	
20 l/min 5.3 gal/min	15 l/min 4 gal/min	250 kg/cm <sup>2</sup> 3500 psi	

Model	<b>V2067-G02-NC</b>		
Maximum Flow	Rated Flow	Maximum Pressure	
20 l/min 5.3 gal/min	15 l/min 4 gal/min	250 kg/cm <sup>2</sup> 3500 psi	

Model	<b>V2068-T02-NC</b>		
Maximum Flow	Rated Flow	Maximum Pressure	
20 l/min 5.3 gal/min	15 l/min 4 gal/min	250 kg/cm <sup>2</sup> 3500 psi	

Model	<b>V2068-T03-NC</b>		
Maximum Flow	Rated Flow	Maximum Pressure	
20 l/min 5.3 gal/min	15 l/min 4 gal/min	250 kg/cm <sup>2</sup> 3500 psi	

Model	<b>V2071-MB2-NC</b>		
Maximum Flow	Rated Flow	Maximum Pressure	
20 l/min 5.3 gal/min	15 l/min 4 gal/min	250 kg/cm <sup>2</sup> 3500 psi	


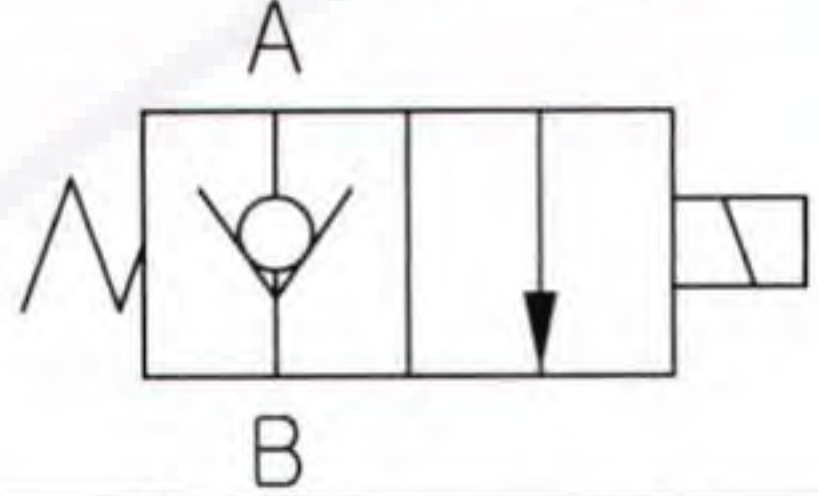
Model	<b>V2072-M02-NC</b>		
Maximum Flow	Rated Flow	Maximum Pressure	
20 l/min 5.3 gal/min	15 l/min 4 gal/min	250 kg/cm <sup>2</sup> 3500 psi	


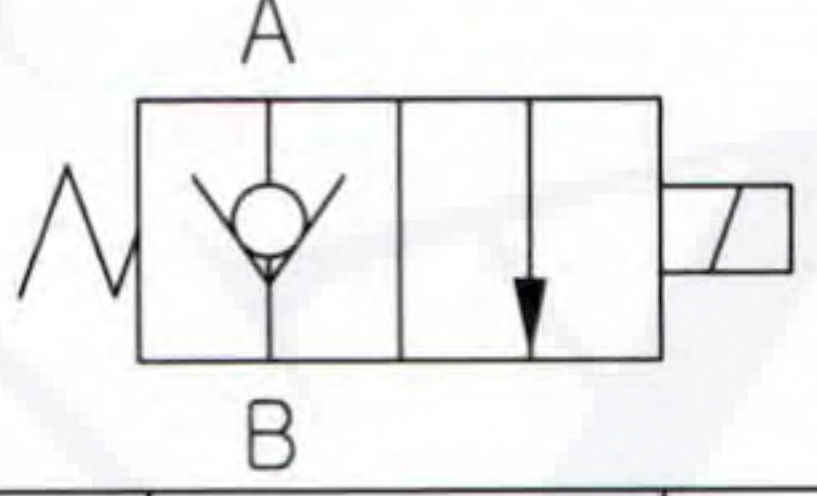
Cartridge Valve & Lifting Valve


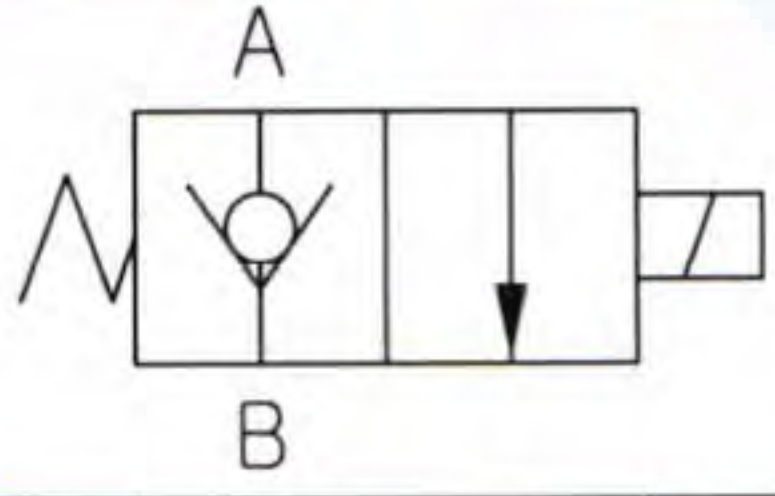
# Cartridge Valve & Lifting Valve


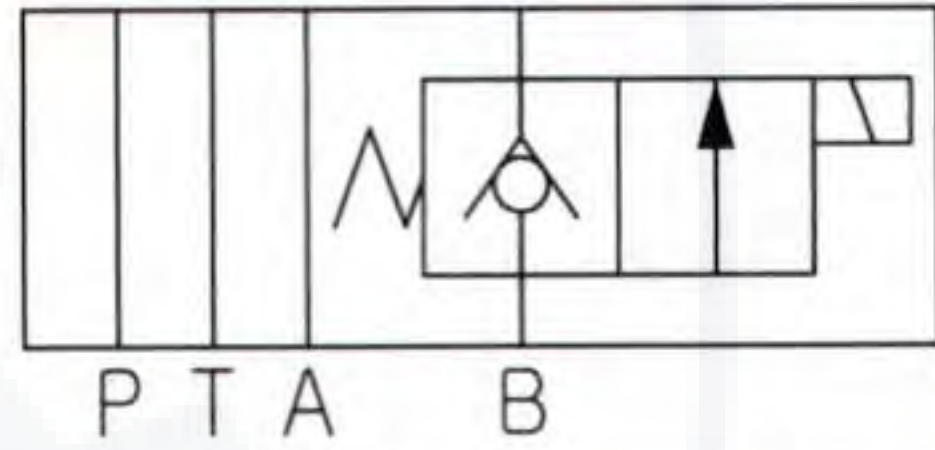



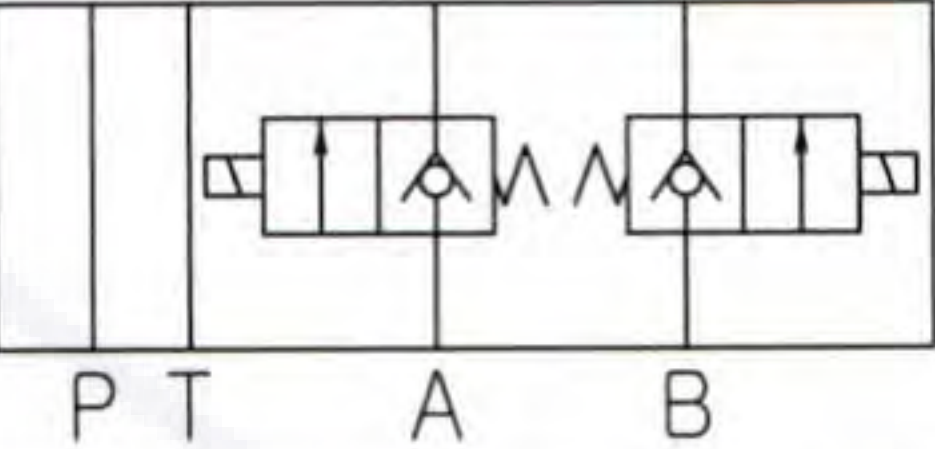
## Cartridge Valve & Lifting Valve Cartridge Solenoid Check Valve

Model	<b>V3067-G03-NC</b>		
			
	Maximum Flow	Rated Flow	Maximum Pressure
	40 l/min 10.5 gal/min	30 l/min 8 gal/min	250 kg/cm <sup>2</sup> 3500 psi


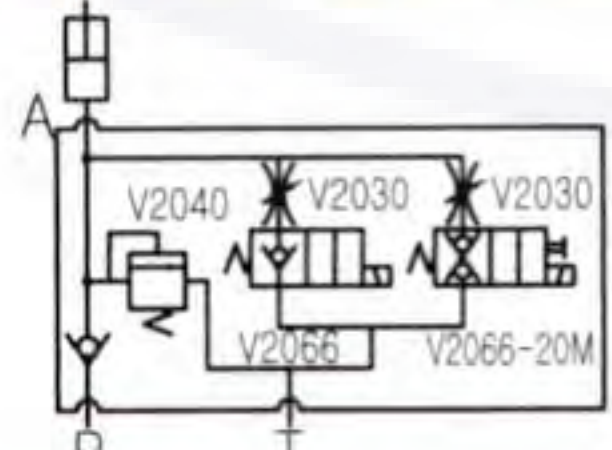
Model	<b>V3068-T03-NC</b>		
			
	Maximum Flow	Rated Flow	Maximum Pressure
	40 l/min 10.5 gal/min	30 l/min 8 gal/min	250 kg/cm <sup>2</sup> 3500 psi


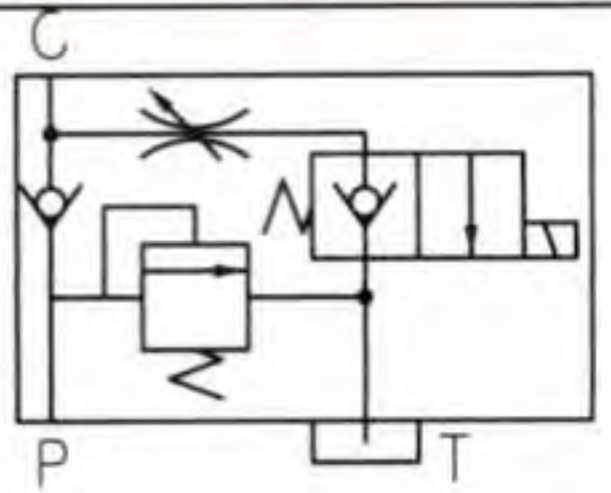
Model	<b>V3068-T04-NC</b>		
			
	Maximum Flow	Rated Flow	Maximum Pressure
	40 l/min 10.5 gal/min	30 l/min 8 gal/min	250 kg/cm <sup>2</sup> 3500 psi

Model	<b>V3071-MB3-NC</b>		
			
	Maximum Flow	Rated Flow	Maximum Pressure
	40 l/min 10.5 gal/min	30 l/min 8 gal/min	250 kg/cm <sup>2</sup> 3500 psi

Model	<b>V3072-M03-NC</b>		
			
	Maximum Flow	Rated Flow	Maximum Pressure
	40 l/min 10.5 gal/min	30 l/min 8 gal/min	250 kg/cm <sup>2</sup> 3500 psi

Model	<b>V3080-T03-NC</b>		
			
	Maximum Flow	Rated Flow	Maximum Pressure
	40 l/min 10.5 gal/min	30 l/min 8 gal/min	250 kg/cm <sup>2</sup> 3500 psi

Model	<b>V4274-T04-NC</b>		
			
	Maximum Flow	Rated Flow	Maximum Pressure
	60 l/min 16 gal/min	40 l/min 10.5 gal/min	250 kg/cm <sup>2</sup> 3500 psi

Model	<b>V6074-T06-NC</b>		
			
	Maximum Flow	Rated Flow	Maximum Pressure
	80 l/min 21 gal/min	60 l/min 16 gal/min	250 kg/cm <sup>2</sup> 3500 psi

Cartridge Valve & Lifting Valve

# Hydraulic Ball Valve

## H-YJZQ High pressure ball valves

How to order : H-YJZQ-15F

### H-YJZQ



Model	Port size	Nominal pressure	Connection
H-YJZQ-08F	1/4"	31.5MPa	N-FEMALE(NPT) W-MALE B-Sub-plate
H-YJZQ-10F	3/8"		
H-YJZQ-15F	1/2"		
H-YJZQ-20F	3/4"		
H-YJZQ-25F	1"		
H-YJZQ-32F	1 1/4"		
H-YJZQ-40F	1 1/2"		
H-YJZQ-50F	2"		

## H-YJZQ-J High pressure ball valves

How to order : H-YJZQ-15J

### H-YJZQ-J



Model	Port size	Nominal pressure	Connection
H-YJZQ-08J	1/4"	31.5MPa	N-FEMALE(NPT) W-MALE B-Sub-plate
H-YJZQ-10J	3/8"		
H-YJZQ-15J	1/2"		
H-YJZQ-20J	3/4"		
H-YJZQ-25J	1"		
H-YJZQ-32J	1 1/4"		
H-YJZQ-40J	1 1/2"		
H-YJZQ-50J	2"		

## H-KC Flow control valves

### H-KC



How to order : H-KC-02

Model	Rated flow (L/min)	Size PT	Max. operated pressure (kgf/cm <sup>2</sup> )
H-KC-02	12	1/4"	250
H-KC-03	20	3/8"	
H-KC-04	30	1/2"	300
H-KC-06	48	3/4"	
H-KC-08	60	1"	

## H-CVT Check valves

### H-CVT



How to order : H-CVT-02

Model	Rated flow (L/min)	Size PT	Max. operated pressure (kgf/cm <sup>2</sup> )
H-CVT-02	30	1/4"	210
H-CVT-03	40	3/8"	
H-CVT-04	60	1/2"	
H-CVT-06	125	3/4"	
H-CVT-08	210	1"	

# Filter / Needle Valves

## Filter

### H-JL



Model	H-JL-04	H-JL-06	H-JL-08	H-JL-10	H-JL-12	H-JL-16	H-JL-20	H-JL-24
PT	1/2"	3/4"	1"	1-1/4"	1-1/2"	2"	2-1/2"	3"

### H-LS



Model	H-LS-3"	H-LS-5"
-------	---------	---------

## Needle valves



Dial size (L/min)	Pressure range Max.flow (kgf/cm <sup>2</sup> )	Rated.flow (L/min)	Thread PT
H-AL-02 (180°)   H-BL-02 (90°)	250	2	1/4"
H-AL-03 (180°)   H-BL-03 (90°)		20	3/8"
NU-02		0.5	1/4"

## OIL INJECTOR

### H-JY



Model	H-JY-30	H-JY-50
-------	---------	---------

## OWIX Spin-on line filters

### OWIX



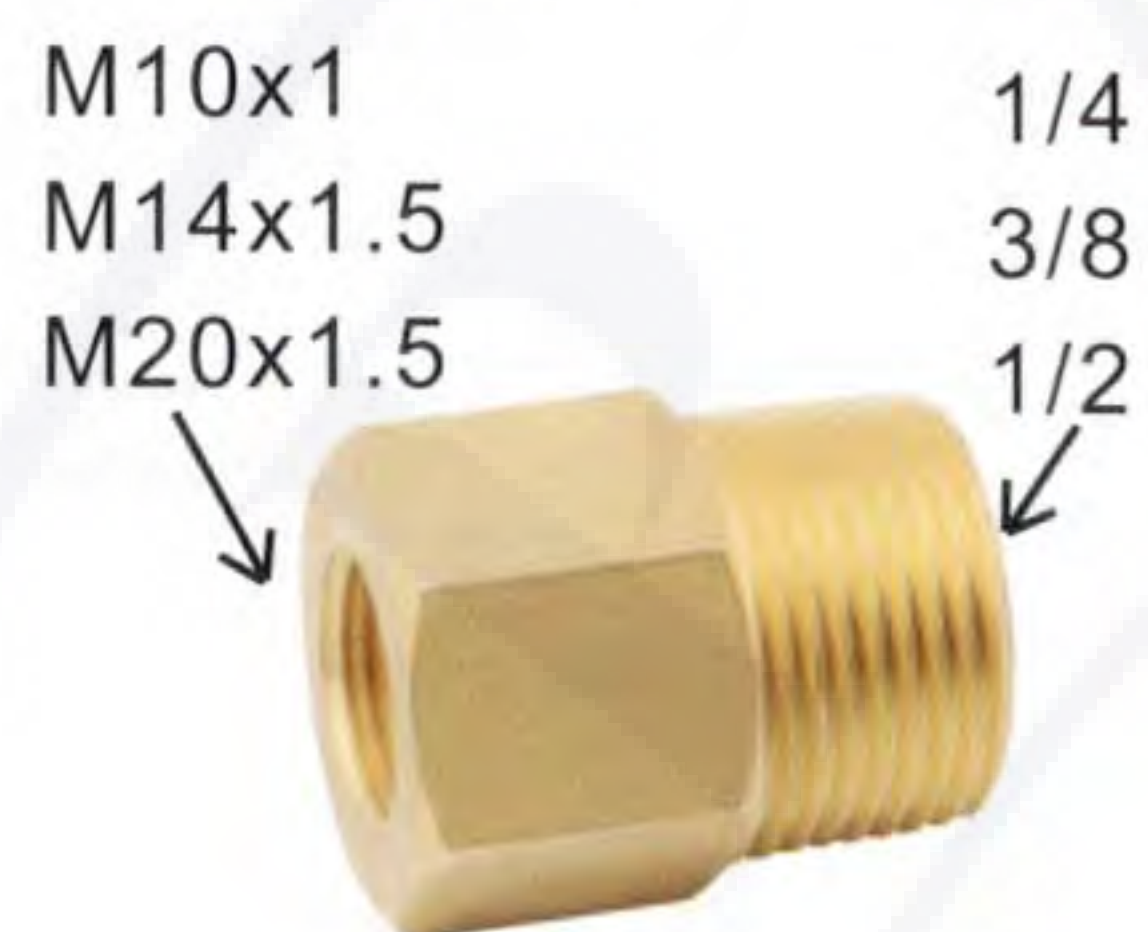
Code	Size
OWIX-06	3/4"
OWIX-08	1"
OWIX-10	1 1/4"

# Pressure Gauge

## Application:

used for measuring oil, hydraulic and other industrial areas of low viscosity, non-crystalline, work environment and intense media pressure transient pulse vibrations.

ข้อต่อทองเหลือง-ตรง เกลียวใน-นอก



Code
3200-1/2xM20*1.5
3200-1/4xM10*1
3200-1/4xM14*1.5
3200-3/8xM14*1.5
3200-3/8xM20*1.5

**AT40**

Code	H-1.5-**-AT/DT
Diameter	40MM ( 1 1/2" )
Unit	PSI/KG
	PSI/MPA
	MPA/BAR
	BAR/PSI
	KG/MPA
Connecting thread	1/8
Range	0~1000kg/psi 0~100bar/Mpa

**DT40**

Code	H-1.5-**-AT/DT
Diameter	40MM ( 1 1/2" )
Unit	PSI/KG
	PSI/MPA
	MPA/BAR
	BAR/PSI
	KG/MPA
Connecting thread	1/8
Range	0~1000kg/psi 0~100bar/Mpa

**AT50**

Code	H-2-**-AT/DT
Diameter	50MM(2")
Unit	PSI/KG
	PSI/MPA
	MPA/BAR
	BAR/PSI
	KG/MPA
Connecting thread	1/4
Range	0~1000kg/psi 0~100bar/Mpa

**DT50**

Code	H-2-**-AT/DT
Diameter	50MM(2")
Unit	PSI/KG
	PSI/MPA
	MPA/BAR
	BAR/PSI
	KG/MPA
Connecting thread	1/4
Range	0~1000kg/psi 0~100bar/Mpa

**AT63**

Code	H-2.5-**-AT/DT
Diameter	63MM(2.5")
Unit	PSI/KG
	PSI/MPA
	MPA/BAR
	BAR/PSI
	KG/MPA
Connecting thread	1/4
Range	0~1000kg/psi 0~100bar/Mpa

**DT63**

Code	H-2.5-**-AT/DT
Diameter	63MM(2.5")
Unit	PSI/KG
	PSI/MPA
	MPA/BAR
	BAR/PSI
	KG/MPA
Connecting thread	1/4
Range	0~1000kg/psi 0~100bar/Mpa

**AT75**

Code	H-3-**-AT/DT
Diameter	75MM(3")
Unit	PSI/KG
	PSI/MPA
	MPA/BAR
	BAR/PSI
	KG/MPA
Connecting thread	3/8
Range	0~1000kg/psi 0~100bar/Mpa

**DT75**

Code	H-3-**-AT/DT
Diameter	75MM(3")
Unit	PSI/KG
	PSI/MPA
	MPA/BAR
	BAR/PSI
	KG/MPA
Connecting thread	3/8
Range	0~1000kg/psi 0~100bar/Mpa

**AT100**

Code	H-4-**-AT/DT
Diameter	100MM(4")
Unit	PSI/KG
	PSI/MPA
	MPA/BAR
	BAR/PSI
	KG/MPA
Connecting thread	3/8
Range	0~1000kg/psi 0~100bar/Mpa

**DT100**

Code	H-4-**-AT/DT
Diameter	100MM(4")
Unit	PSI/KG
	PSI/MPA
	MPA/BAR
	BAR/PSI
	KG/MPA
Connecting thread	3/8
Range	0~1000kg/psi 0~100bar/Mpa

# Pressure Gauge

## Stainless steel Gauge: Corrosion resistance, high temperature




**AT63**




**DT63**

Stainless  
steel

Code	STH-2.5-**-AT/DT
Diameter	63MM(2.5")
Unit	PSI/KG
	PSI/MPA
	MPA/BAR
	BAR/PSI
	KG/MPA
Connecting thread	1/4
Range	0~1000kg/psi 0~100bar/Mpa



**AT100**




**DT100**


Stainless  
steel

Code	STH-4-**-AT/DT
Diameter	100MM(4")
Unit	PSI/KG
	PSI/MPA
	MPA/BAR
	BAR/PSI
	KG/MPA
Connecting thread	3/8
Range	0~1000kg/psi 0~100bar/Mpa

## Vacuum gauge




**AT63**




**DT63**

Code	H-2.5-**-AT/DT
Diameter	63MM(2.5")
Unit	Vacumm(-76 -0)
	Vacumm(-1 -0)
	Com Pounds (-1 -1.5)
	Com Pounds (-1 -3)
	Com Pounds (-1 -5)
	Com Pounds (-1 -9)
Connecting thread	1/4
Range	0~1000kg/psi 0~100bar/Mpa



**AT100**



**DT100**

Code	H-4-**-AT/DT
Diameter	100MM(4")
Unit	Vacumm(-76 -0)
	Vacumm(-1 -0)
	Com Pounds (-1 -1.5)
	Com Pounds (-1 -3)
	Com Pounds (-1 -5)
	Com Pounds (-1 -9)
Connecting thread	3/8
Range	0~1000kg/psi 0~100bar/Mpa




**HT-\*\*-\*\*-AT/DT**




**PP-\*\*-\*\*-AT/DT**

# Pressure Gauge

## Temperature Gauge SUS316

<b>AT</b>	
CODE	
T2-100C/L55A T2-150C/L55A T2-200C/L55A PT 1/4"OD.6mm*L.55mm.	
CODE	
T2.5-100C/L75A T2.5-150C/L75A T2.5-200C/L75A  PT 1/4"OD.6mm*L.55-75mm.	
CODE	
T3-50C/L75A T3-100C/L75A T3-120C/L100A T3-150C/L100A T3-200C/L100A  PT 3/8"OD.6mm*L.75-100mm.	
CODE	
T4-300C/L100A PT 1/2"OD.8mm*L.100mm.	

<b>DT</b>	
CODE	
T2-100C/L55D T2-150C/L55D T2-200C/L55D PT 1/4"OD.6mm*L.55mm.	
CODE	
T2.5-50C/L55D T2.5-50C/L75D T2.5-100C/L55D T2.5-100C/L75D T2.5-120C/L55D*100* T2.5-120C/L75D T2.5-150C/L55D T2.5-150C/L75D T2.5-200C/L55D T2.5-200C/L75D  PT 1/4"OD.6mm*L.55-75mm.	
CODE	
T3-50C/L75D T3-100C/L75D T3-50C/L100D T3-100C/L100D T3-150C/L100D T3-200C/L100D  PT 3/8"OD.6mm*L.75-100mm.	
CODE	
T4-300C/L100D PT 1/2"OD.8mm*L.100mm.	



# Pressure Gauge

## Temperature Gauge(CF)SUS316

**AT**



CODE

T4-120C-L3AT(\*\*F)  
T4-150C-L3AT(300F)  
T4-200C-L3AT(\*\*F)

PT 1/2"OD.10mm\*L.100mm.3M

CODE

T4-120C-L5AT(\*\*F)  
T4-150C-L5AT(\*\*F)  
T4-200C-L5AT(\*\*F)

PT 1/2"OD.10mm\*L.100mm.5M

**DT**



CODE

T4-120C-L3DT(\*\*F)  
T4-150C-L3DT(\*\*F)  
T4-200C-L3DT(\*\*F)

PT 1/2"OD.10mm\*L.100mm.3M

CODE

T4-120C-L5DT(\*\*F)  
T4-150C-L5DT(\*\*F)  
T4-200C-L5DT(\*\*F)

PT 1/2"OD.10mm\*L.100mm.5M

## Automatic Air Hose Reel



PU-HR8-8M  
PU-HR10-8M  
PU-HR12-10M

# Pressure Gauge

## Electric Pressuer Gauge SUS316

**AT**



CODE

EPG-100/250/AT  
 EPG-100/400/AT  
 (4"-250KG/3500PSI x 1/2")  
 (4"-400KG/5700PSI x 1/2")  
 PT 1/2"(KG/PSI)

**DT**



CODE

EPG-100/250/DT  
 EPG-100/400/DT  
 (4"-250KG/3500PSI x 1/2")  
 (4"-400KG/5700PSI x 1/2")  
 PT 1/2"(KG/PSI)

## Electric Pressuer Gauge

**AT**



CODE

YX65-M\*\*\*-AT  
 YX100-M1-AT  
 YX100-M1.6-AT

**DT**

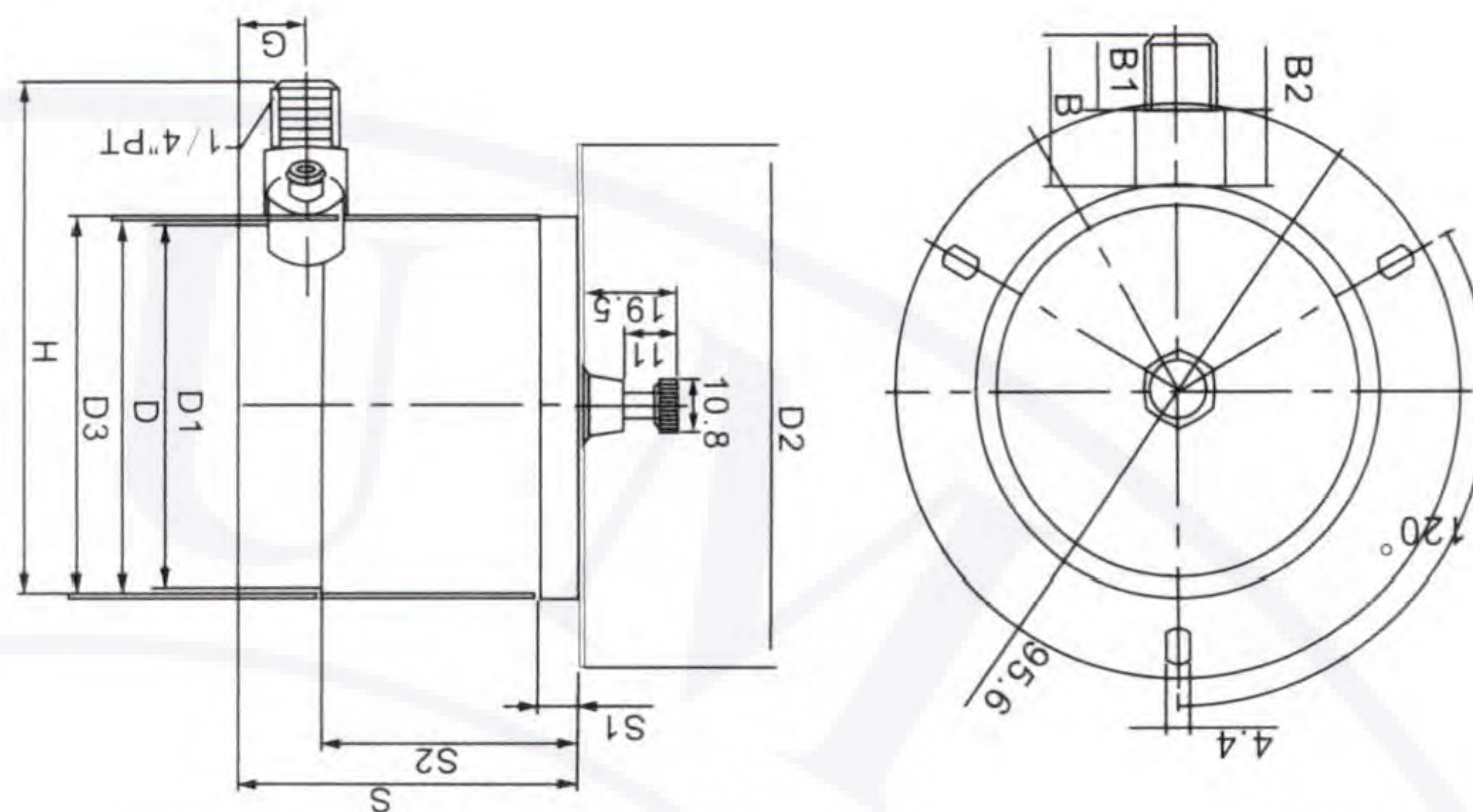


CODE

YX100-M1-ZT  
 YX100-M1.6-ZT

# Pressure Gauge

## Electric Pressuer Gauge



### Manufacturing specifications

Model: EPG-100(4" )I

Type:vertical submerged

Types:pressure gauges, vacuum form, into form.

Shell:Stainless steel AISI 304,steel plating.

Mirror:Acrylic

Pointer:Aluminum.

Baden tube:stainless steel AISI 316.

Inside the machine:stainless steel AISI 304.

Follow-up to the Department: copper or stainless steel AISI304, 316, 1/4", 1/2"PT,NPT,PF.

Terminal Blocks:fixed terminals.

Contact type: the upper limit(A),the minimum(B)

Contact options:(single contact,double-contact,three contacts, four contacts.)

Accuracy:± 1.0% F.S..

Characterization of units:psi,bar,kPa,MPa,Kg/cm2 and other units.

### Electrical characteristics

Voltage operating range:250V(Max)

The beginning of the current:1.0A(Max)

Interruption current:1.0A(Max)

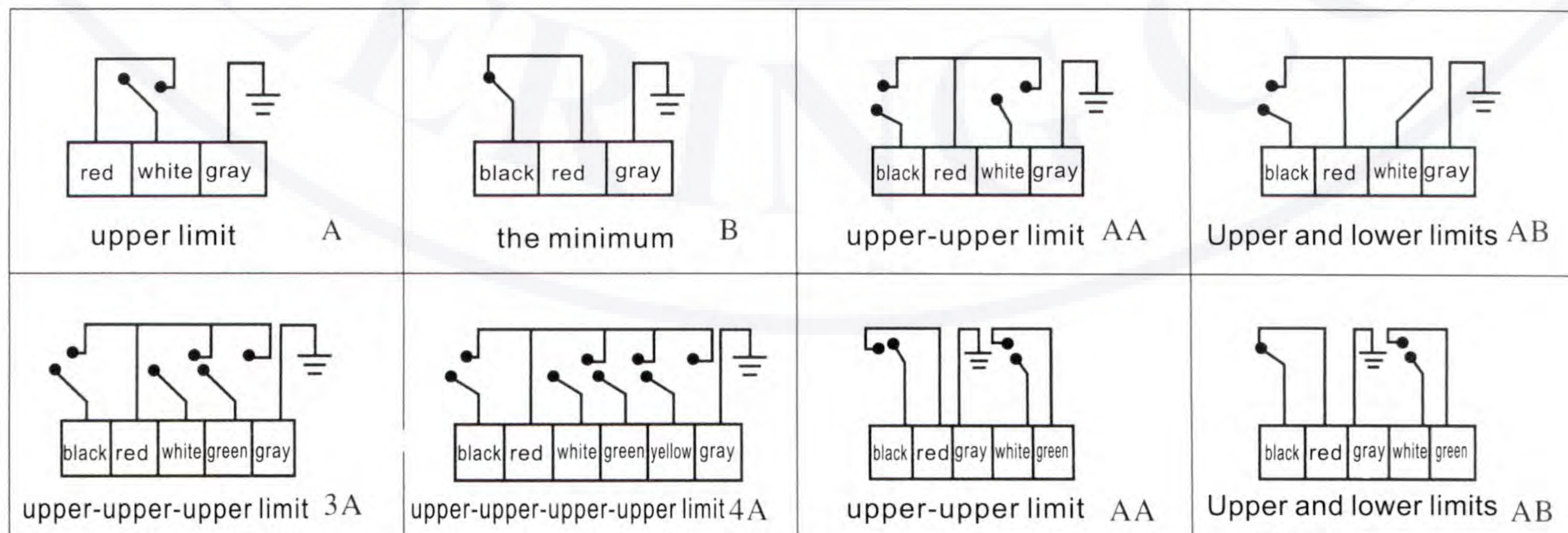
Permanent current:0.6A(Max)

Outage capacity:=30W50~AV(Max)

Contact material: Ag80Ni20)

Ambient temperature:-20°C~+70°C

### Contact-type diagram:



Note: A:Normally open B:Normally closed

# Pressure Gauge

**YNXC-100**



**YNXC-100ZT**



**YX-100**



**YX-150ZT**



## Main technical indicators

Name	Model	Nominal diameter	Accuracy grade	Contact capacity	measuring range	Connecting thread
Electric contact pressure gauge	YX-60	Φ60	2.5	10	0.1,0.16	M14×1.5
	YX-100	Φ100	1.6	10		M20×1.5
	YX-150	Φ150	1.6	10		M20×1.5
Magnetically Assisted Contact Pressure Gauge	YXC-100	Φ100	1.6	30	0.25,0.4	M20×1.5
	YXC-150	Φ150	1.6	30	0.6,1,1.6	M20×1.5
Axial Pressure Gauge with Front Electric Contact	YX-100ZT	Φ100	1.6	10	2.5,4,6,10	M20×1.5
	YX-150ZT	Φ150	1.6	10	16,25,40,60	M20×1.5
Axial Pressure Gauge with Front Magnetically Activated Contact Point	YXC-100ZT	Φ100	1.6	30	-0.1~0	M20×1.5
	YXC-150ZT	Φ150	1.6	30	-0.1~0.06	M20×1.5
Axial Seismic Electric Contact Pressure Gauge with Front Side	YNXC-100ZT	Φ100	1.6	30	-0.1~0.15	M20×1.5
	YNXC-150ZT	Φ150	1.6	30	-0.1~0.3	M20×1.5
Seismic Electric Contact Pressure Gauge	YNXC-100	Φ100	1.6	30	-0.1~0.5	M20×1.5
	YNXC-150	Φ150	1.6	30	-0.1~0.5	M20×1.5
Ammonia Electric Contact Pressure Gauge	YAXC-100	Φ100	1.6	30	-0.1~2.4	M20×1.5
	YAXC-150	Φ150	1.6	30	-0.1~2.4	M20×1.5

## YEJ-101 Rectangular Diaphragm Box Pressure Gauge

Accuracy Level: 2.5

Use of environmental conditions: -20~60°C the relative temperature is not more than 85%, and the vibration and the rapid fluctuation of the measured medium should not have a significant impact on the normal operation of the instrument.

### YEJ-101



### Measuring range

Model	Positive pressure +	Negative pressure -	Positive negative pressure ±
YEJ-101-250	0~250	-250~0	-120~+120
YEJ-101-400	0~400	-400~0	-200~+200
YEJ-101-600	0~600	-600~0	-300~+300
YEJ-101-1000	0~1000	-1000~0	-500~+500
YEJ-101-1600	0~1600	-1600~0	-800~+800
YEJ-101-2500	0~2500	-2500~0	-1200~+1200
YEJ-101-4000	0~4000	-4000~0	-2000~+2000
YEJ-101-6000	0~6000	-6000~0	-3000~+3000
YEJ-101-10000	0~10000	-10000~0	-5000~+5000
YEJ-101-16000	0~16000	-16000~0	-8000~+8000
YEJ-101-25000	0~25000	-25000~0	-12000~+12000
YEJ-101-40000	0~40000	-40000~0	-20000~+20000

# Vernier Caliper

## Digital Vernier Caliper



**VN-D150**  
**VN-D200**  
**VN-D300**

Model	Range	Size
VN-D150	0~150mm	6"
VN-D200	0~200mm	8"
VN-D300	0~300mm	12"

## Vernier Caliper



**VN-M150**  
**VN-M200**  
**VN-M300**

Model	Range	Size
VN-M150	0~150mm	6"
VN-M200	0~200mm	8"
VN-M300	0~300mm	12"

## Vernier Caliper with Watch



**VN-C150**  
**VN-C200**  
**VN-C300**

Model	Range	Size
VN-C150	0~150mm	6"
VN-C200	0~200mm	8"
VN-C300	0~300mm	12"

# Filter/Float switch

## Exhaust cleaner: AMC series

### Model / External thread type

Specifications	Model	AMC310	AMC510	AMC610	AMC810	AMC910
Effective sectional area (mm <sup>2</sup> )		16	55	165	330	550
Sound velocity guidance C[dm <sup>3</sup> /(s·bar)]		3.2	11	33	66	110
Maximum processing flow L /min(ANR)		300	1,000	3,000	6,000	10,000
Pipe Size		3/8	3/4	1	1 1/2	2
Filter cartridge		AMC-EL3	AMC-EL5	AMC-EL6	AMC-EL8	AMC-EL9
Bracket type (Note)		BE30	BE50	BE60	—	—

※ANR: refers to the state of 20°C, 1 atmospheric pressure and 65% relative humidity.  
Note: With 3 mounting screws



### Model / External thread type

Specifications	Model	AMC220	AMC320	AMC520
Effective sectional area (mm <sup>2</sup> )		12	16	55
Sound velocity guidance C[dm <sup>3</sup> /(s·bar)]		2.4	3.2	11
Maximum processing flow L /min(ANR)		200	300	1,000
Pipe Size		1/4	1/4 · 3/8	1/2 · 3/4
Filter cartridge		AMC-EL2	AMC-EL3	AMC-EL5
Bracket type (Note)		BE20	BE30	BE50

※ANR: refers to the state of 20°C, 1 atmospheric pressure and 65% relative humidity.  
Note: With 3 mounting screws



## Product pictures

### TEK-1 float switch



### TYK-221 float switch



Fqs-4 float switch

#### Model specification

Square 2 meters
Square 3 meters
Square 4 meters
Square 5 meters

#### Model specification

Round 2 meters
Round 3 meters
Round 4 meters
Round 5 meters

# Buffer tube of pressure gauge / Pipe laying

## Buffer tube of pressure gauge



**Stainless steel**



Model	
TSP-SM1/4"	M1/4"SUS SYPHON
TSP-SM3/8"	M3/8"SUS SYPHON
TSP-SM1/2"	M1/2"SUS SYPHON

Model	
TSP-M1/4"	M1/4"SYPHON
TSP-M3/8"	M3/8"SYPHON
TSP-M1/2"	M1/2"SYPHON



Model	
SP-SM1/4"	M1/4"SUS SYPHON
SP-SM3/8"	M3/8"SUS SYPHON
SP-SM1/2"	M1/2"SUS SYPHON
SP-SMF1/4"	MF1/4"SUS SYPHON
SP-SMF3/8"	MF3/8"SUS SYPHON
SP-SMF1/2"	MF1/2"SUS SYPHON

Model	
SP-M1/4"	M1/4"SYPHON
SP-M3/8"	M3/8"SYPHON
SP-M1/2"	M1/2"SYPHON
SP-MF1/4"	MF1/4"SYPHON
SP-MF3/8"	MF3/8"SYPHON
SP-MF1/2"	MF1/2"SYPHON

Buffer tube of pressure gauge / Pipe laying

## Pipe laying

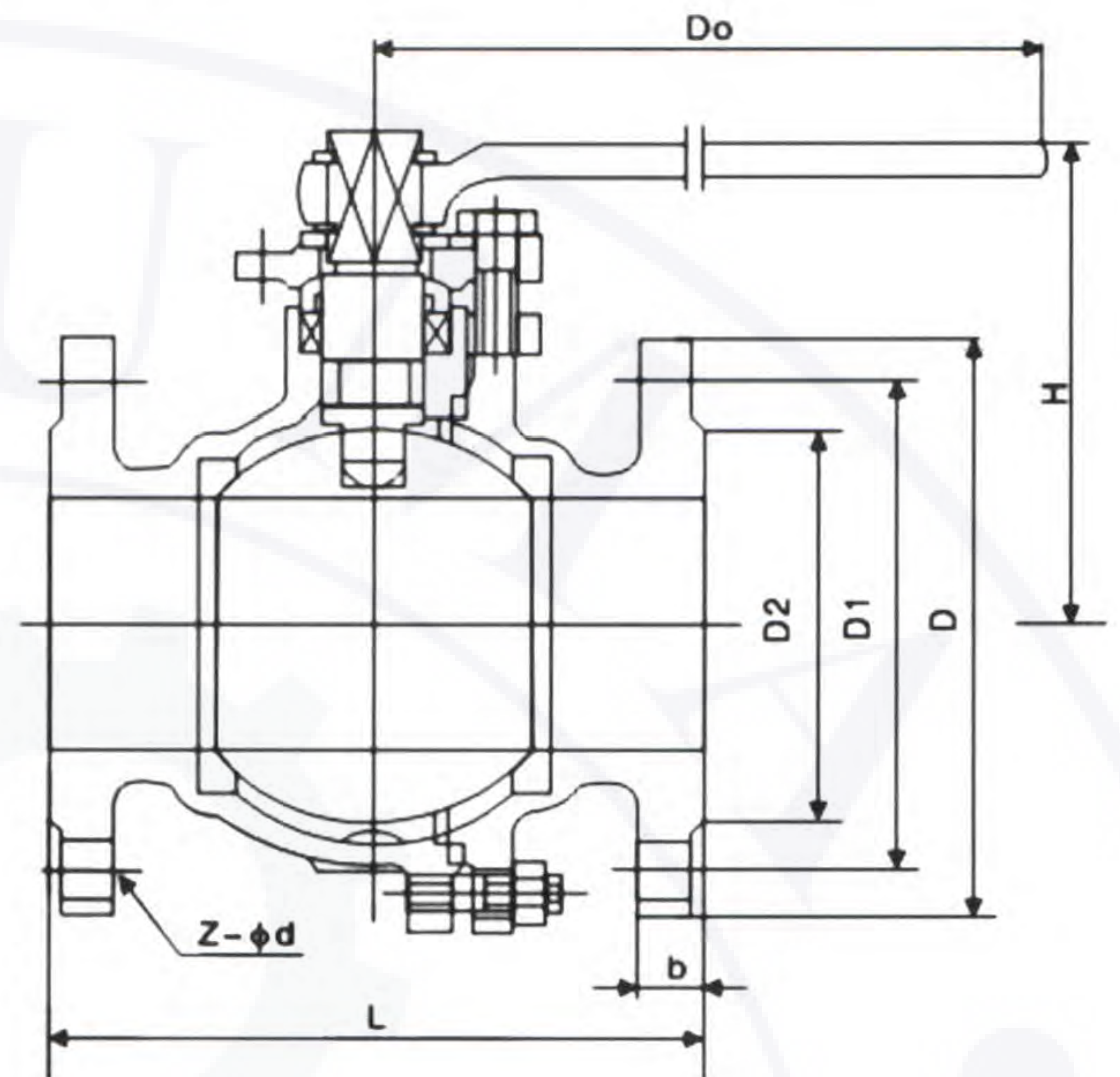


Model	O.D.	Length
H-COP-6mm	6mm	15M
H-COP-8mm	8mm	
H-COP-10mm	10mm	
H-COP-12mm	12mm	

Model	O.D.	Length
H-COP-3/16	4.76mm	15M
H-COP-1/4	6.35mm	
H-COP-5/16	7.94mm	
H-COP-3/8	9.52mm	
H-COP-1/2	12.7mm	
H-COP-5/8	15.88mm	

# Pressure Gauges

## J-5000 Aero type differential pressure gauges



J-5000 type Differential Pressure Gauge make use of simplicity; have no friction of the magnetic element of spiral movement, with rubber film slice as the sensitive component in measuring flexibrany pressure. It can make use of index sign to indicate the measuring of gaseous pressure quickly, no matter of positive, negative or differential pressure. This design has quakeproof, shaking and over pressure function. Nevertheless, there 's no need to have liquid filling inside, therefore, no gaseous, freezing, and strange smell will appears in this matter.

J-5000 type's differential pressure gauges is extensively benn applied in pressure of measuring so fan and drum breeze machine, screening out the program resistance, wind velocity, the stove pressure hole plank differential gauge, also be used for burnable the air coal gas specific value within procese control and the automatic valve control, and the medical treatment care for the blood pressure equipment and to monitor the breathe pressure.

**Process cinjunction:** high pressure and low-pressure hole of 1/8" drill tube thread, 2 set(side and back each)

**Standard fitting:** 2pcs 1/8" NPT head, 2pcs 1/8" spiral plastic tube; & 3 pcs with bolt for bolt card installation.

**Casing Material:** cast aluminum press or Nylon with ABS plastic

**Accuracy:** Standard  $\pm 2\%$  FS

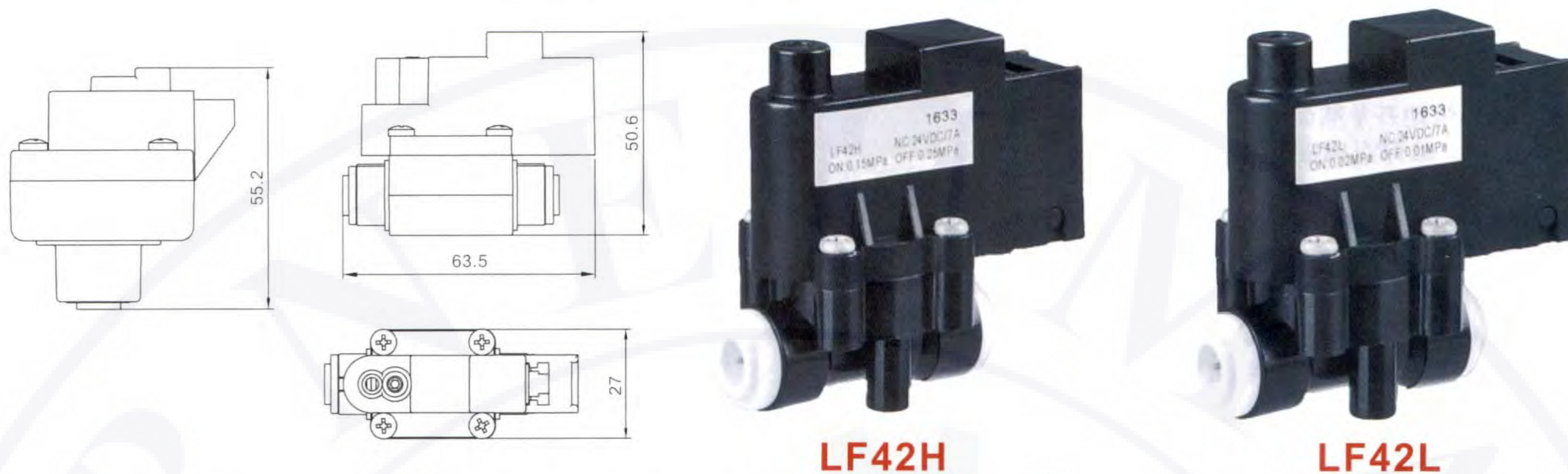
**Environmental temperature:** -7~60°C





# Pressure Relief Valve

## LF42 High and low pressure switch of water purifier



Lf42 series pressure switch is used for water supply pressure protection of water purifier, with two models of high pressure (lf42h) and low pressure protection (lf42l).

Lf42h is a high pressure protection switch. When the water in the pressure storage tank is full and the pressure transmitted from the pressure tank to the high-pressure switch reaches the pressure value set by the high-pressure switch, the high-pressure switch will trip the electrical appliance and stop the pump to avoid damaging the pump.

Lf42l is a low pressure protection switch. When the pressure in the water purification pipe is lower than the set value, the reverse osmosis membrane will not work normally, and waste water will be discharged all the time. The low-pressure switch will cut off the electrical appliances and stop the pump, so as to prevent the booster pump from idling under no water condition, which will cause damage to the electrical appliances of the machine. For example, when the pressure in the water inlet pipe returns to the set lowest pressure, the pump will automatically resume work.

### Technical parameter

Model	LF42H	LF42L
Medium	Water	Water
Pressure setting range	Switch contact opening pressure: 2.5bar ± 0.5bar Switch contact conduction pressure: 1.5bar ± 0.5bar	Switch contact opening pressure: ≤0.1bar Switch contact conduction pressure: ≥0.2bar
Withstand voltage	18bar	18bar
Working life	>The 40 thousand time	>The 40 thousand time
Working thickness	5~45°C	5~45°C
Switch mode	Microswitch normally closed	Microswitch normally open
Electrical parameters	Voltage 250VAC Current 16A	Voltage 250VAC Current 16A
Connection terminal	Insert 4.8 * 0.8	Insert 4.8 * 0.8
Interface form	1 / 4 fast interface	1 / 4 fast interface

### Pressure relief valve



Model	PRV-15
Pressure environment	Atmospheric pressure
Nominal diameter	DN20
Working temperature	Normal atmospheric temperature
Connection form	Spring film type
Structural style	Spring film type
Standard	American Standard
Texture of material	Lead-free brass
Working pressure	1.6MPa
Medium	Water
Working temperature	-20~120

# Pressure Gauge

## Capsule Pressure Gauge

Standard Model

LM(Lower Mount)/CBM(Center Back Mount)

E11.11\*

Case Material: steel or stainless steel

Internal: Brass Alloy

Service intended: Capsule gauges are sensitive instruments used in low pressure applications typically not exceeding 0.1 Mpa. It is used in a wide range of applications including medical, heating, gas piping, burners, air condition and many others. The standard low-pressure capsule gauges are designed to measure the low pressure of gas that does not corrode the copper alloy. This gauge series features a copper alloy capsule and socket. Seale Standard: 0-0.6mbar 0-2.5mbar

Scale unit: mbar KPa

Accuracy class: 1.6/2.5

Connection: SAE NPT(1/8" 1/4")

Nominal size(mm): 60mm 90mm 125mm

Part No.	A	B	C	D	E	G	S	W
E11.11E	62	57	39	62	10	/	3	14
E11.11H	89	72	46	87	10	/	12	14
E11.11J	126	92	58	124	10	/	12	14
E11.12E	63	/	39	63	/	52	17	14



## Digital Pressure Gauge

Standard Model

LM(Lower Mount)

H71.71\*

Case Material: stainless steel or Aulm Alloy

Internal: Brass Alloy and Ceramic

Service intended: Suited for use with water, oil, air, gas or other not corrupt to stainless steel and ceramic media

Scale standard: -1kg/cm<sup>2</sup>-0---20kg  
0-1000kg/cm<sup>2</sup>

Scale unit: Mpa kg/cm<sup>2</sup> bar psi KPa

Accuracy class: 0.25/0.5

Connection: NPT PT BSP(1/2" 1/4" 3/8") M14x1.5 M20x1.5

Nominal size(mm): 90mm 125mm 150mm

Part No.	A	B	C	D	E	S	W
H21.11I	112	119	50	100	14	20	27



## Refrigeration Pressure Gauge

Standard Model

B11.9\*\*

Case Material: steel or plastic

Internal: Brass Alloy

Service intended: Suited for refrigerant media

Displaying the relation of pressure and vaporize temperature zero adjustable

Scale standard: Genral low pressure -76cmHg-0-120psi-Retard-250psi(350psi)  
Genral high pressure 0-500psi or 0-800psi

Scale unit: Mpa kg/cm<sup>2</sup> bar psi KPa

Type fo refrigerant media: R12 R22 R134a R404a R407C

R507 R410a R410a R410b R402a R402b

Accuracy class: 1.0/1.6

Connection: 1/4"SAE 1/8"NPT 5/16"-24UNF

Nominal size(mm): 70mm 80mm

Part No.	A	B	C	D	E	S	W
B11.91E	73/68	55/55	31/31	68/68	10/11	10/4	14
B11.91G	80	62	32	80	10	4	14



Pressure Gauge

# Web wheel flowmeter

## Web wheel flowmeter



**EPR12**



**EPR13**

### Product features:

Microprocessor control, complete functions and easy operation.

Input power: 12-36vdc.

Analog signal 4-20mA current output

Increase analog output range by 10%: 4-21.6ma

Analog test output: 0-24ma.

Pulse output: light isolation transistor.

Analog frequency output: 0-300hz

LCM (Graphic 128X64 dots) display.

Display built-in cumulative traffic fram flash memory.

Display and sensor quick detachable design.

Pure perception without display, convenient for system integration.

The LED indicates the alarm status.

Analog output upper limit setting.

Analog output flow rate, flow filtering setting: 0-40 segment.

LED display backlight, three modes of on / off / operation.

With communication interface RS485

Function menu setting parameters modify K factor, pipe diameter, equipment ID, communication package rate, etc.

Support multilingualism, orthodox Chinese, simplified Chinese, English, etc.

# Electromagnetic flowmeter

Pressurization pressure time curve:

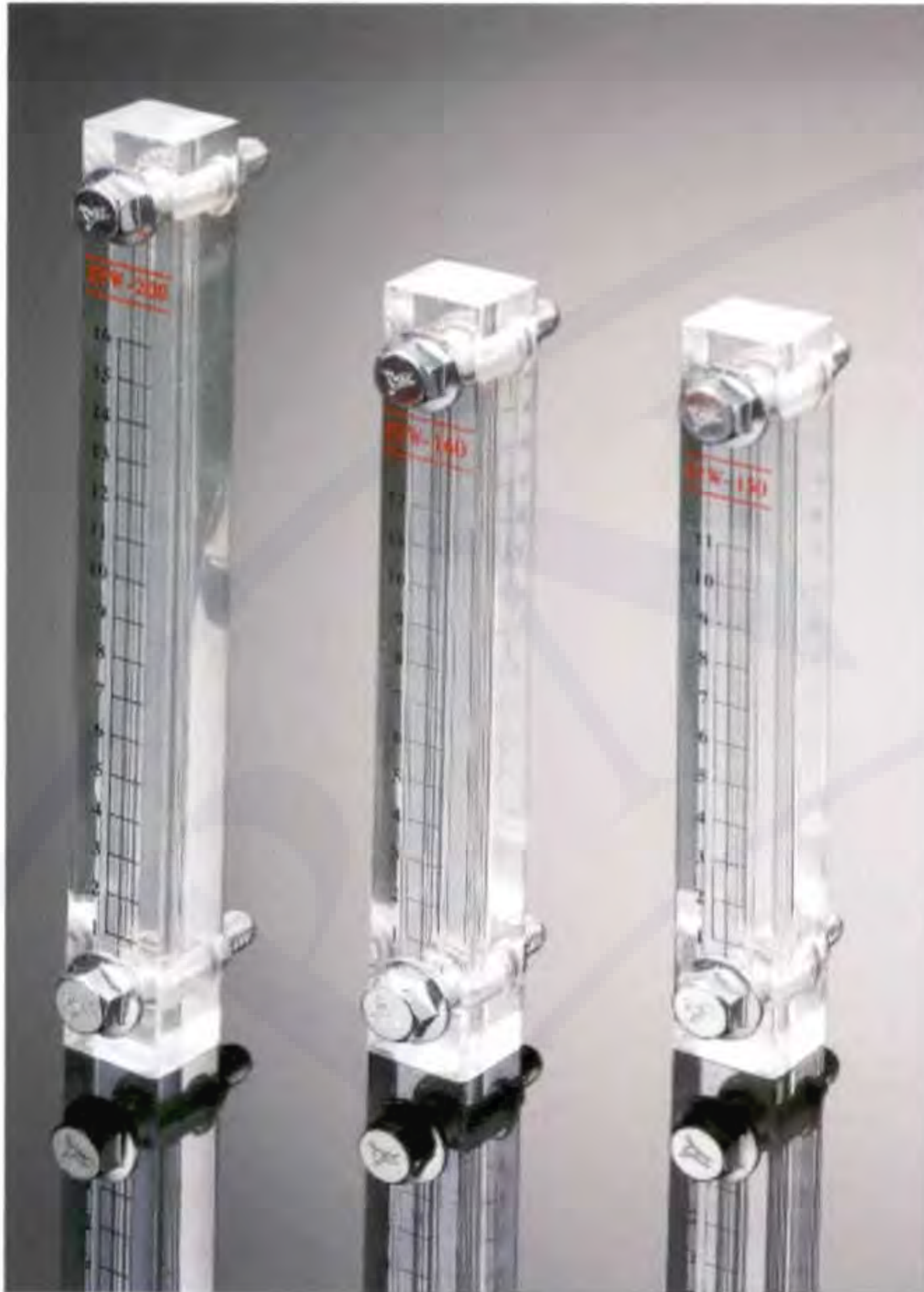


Project	EPD30
screen	LCM 128 * 64 pixel backlight
Key	3-key operation
communication interface	RS-485 (Modbus) (Optional supports ZigBee Pro wireless transmission)
Accuracy	±0.5% of reading@1m/s(0.2% optional)
Medium temperature	-20 ~ 120 ° (PTFE lining)
ambient temperature	-40~70 C
Fluid conductivity	>5 uS/cm
Measuring range	0.1m/s~10m/s
Current output accuracy	0.1% of Pulse Output Accuracy Temperature coefficient (100ppm / °C)
Withstand voltage	10Kg/cm2
Current output mode	active
Analog output	4~20mA
Maximum negative current output	<700 Omega
Alarm current	3.6Ma or 22mA
Frequency output range	2~8KHz
Pulse width	Automatic (pulse width 50%)
Pulse mode	NPN crystal output 32vdc / 200mA; 2-CH
time constant	Dry contact on < 200 Ω; 1000 Ω < off; 1-ch
Control output (do)	1200~38400bps
Control input (DI)	1200~57600bps
Abalone rate	IP67/NEMA 4X
Protection level	IP68 (sensor), IP67 / NEMA 4x (transmitter)
Junction box material	Aluminium alloy
Input power supply	AC 100 ~ 240V or DC24V
Power consumption	<10W
Inlet specifications	M20x1.5*2 Female
Excitation mode	Pulse DC
Vibration specification	IEC 60068-2-3
EMC specification	IEC/EN 61326-1 Class A table 2

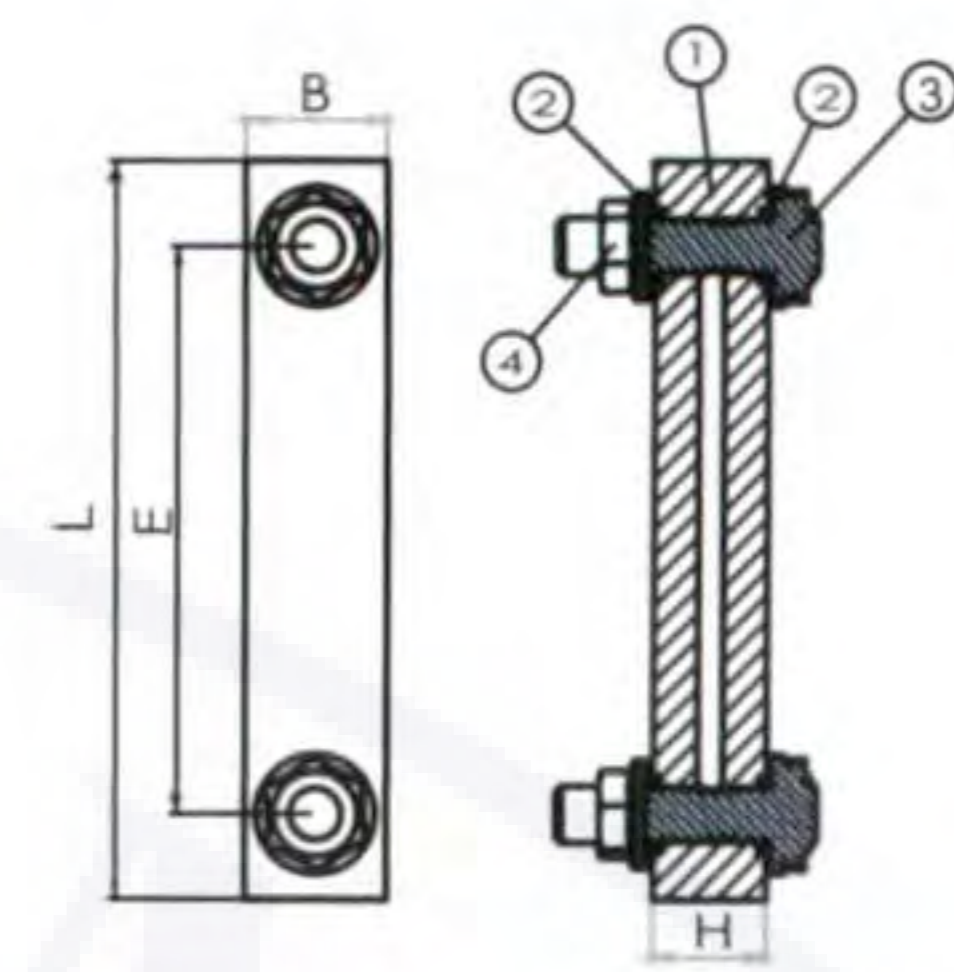
Unable to display when LCM is lower than - 20bc

# Level gauge

## XYW acrylic square level gauge



Model	L	E	B×H
XYW-80	115	80	25×20
XYW-100	135	100	25×20
XYW-125	160	125	25×20
XYW-127	162	127	25×20
XYW-140	175	140	25×20
XYW-150	185	150	25×20
XYW-160	195	160	25×20
XYW-200	235	200	25×20
XYW-250	285	250	25×20
XYW-300	335	300	25×20
XYW-350	385	350	25×20
XYW-400	435	400	25×20
XYW-450	485	450	25×20
XYW-500	535	500	25×20
XYW-550	858	550	25×20
XYW-600	635	600	25×20



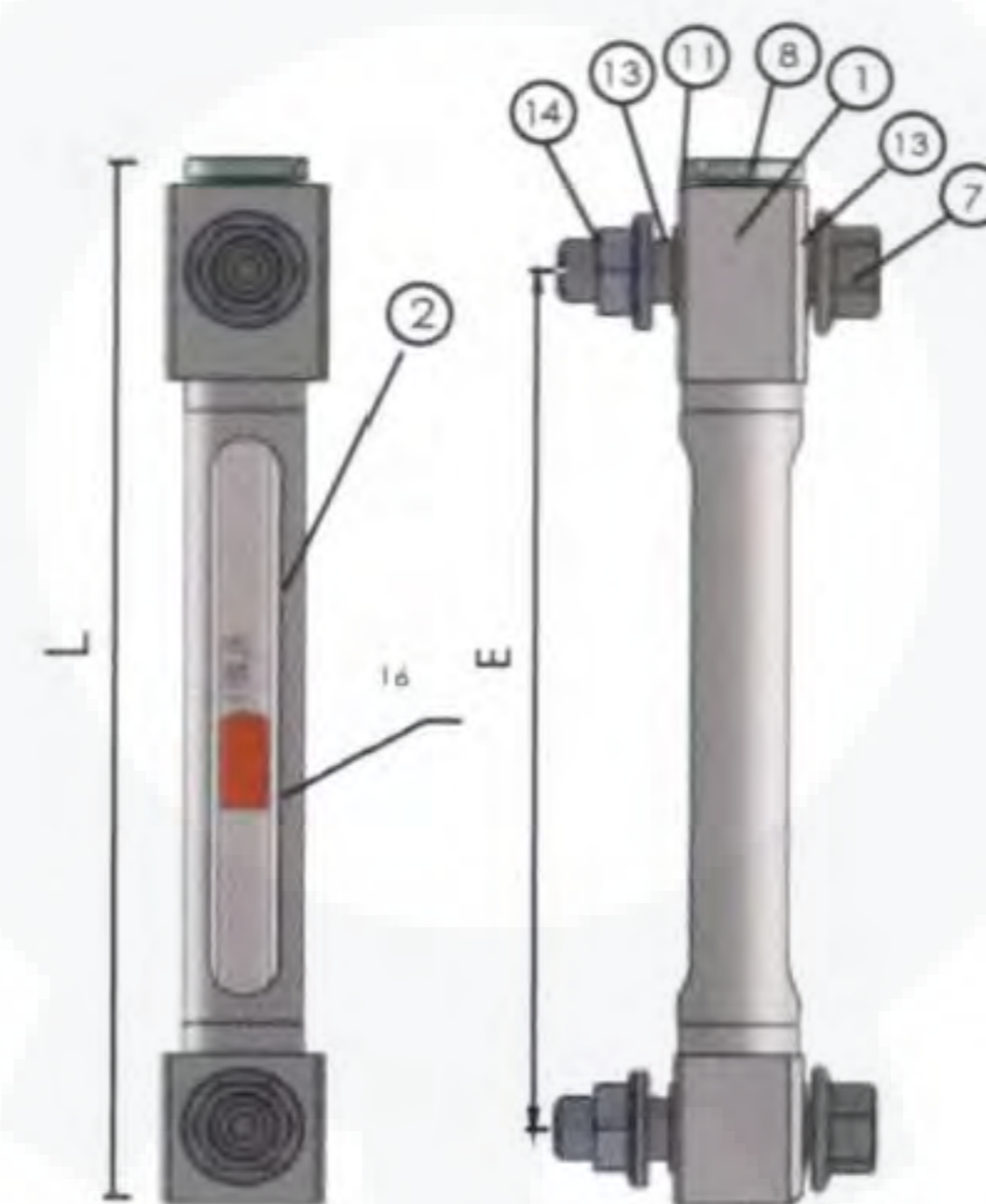
1. Standard
2. Gasket
3. Screw
4. Nut

Unit: mm

Model	L	E	B×H
XYW-40	70	40	22×16
XYW-50	80	50	22×16
XYW-60	90	60	22×16
XYW-76	106	76	22×16
XYW-80	110	80	22×16
XYW-100	130	100	22×16
XYW-125	155	125	22×16
XYW-127	157	127	22×16
XYW-150	180	150	22×16
XYW-200	230	200	22×16

## SS stainless steel glass level gauge

Liquid level gauge, oil level gauge, water level gauge, oil level mirror, food grade, chemical resistance, high temperature 150 ~ 100°C

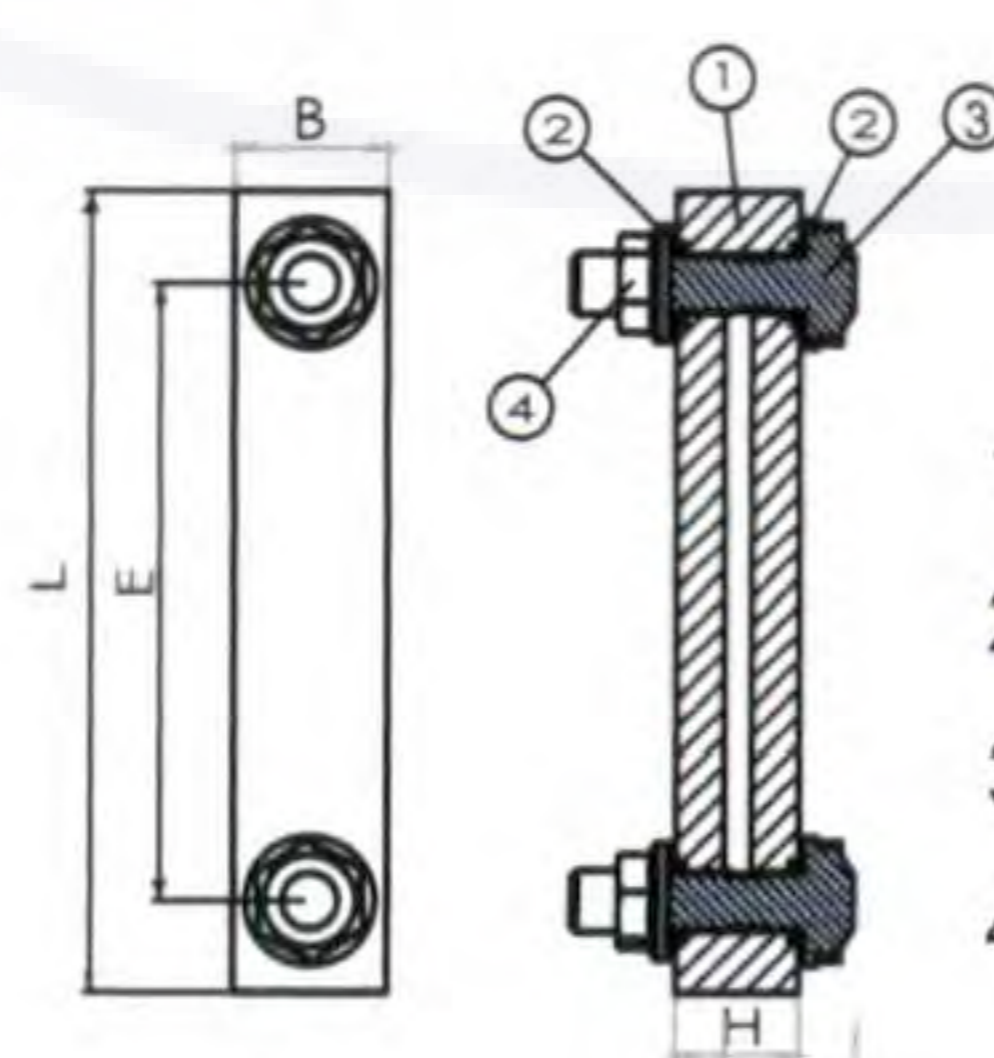


1. Standard body (stainless steel 304)
2. Screw (stainless steel 304)
3. Sealing cap (stainless steel 304)
4. Gasket
5. Gasket
6. Nut (stainless steel 304)
7. Float

Model	L	E
SS-100	131	100
SS-127	158	127
SS-140	171	140
SS-150	181	150
SS-180	211	180
SS-200	231	200
SSA-250	285	250
SSA-300	335	300
SSA-350	385	350
SSA-400	435	400
SSA-500	535	500

Unit: mm

## YWB organic glass level gauge



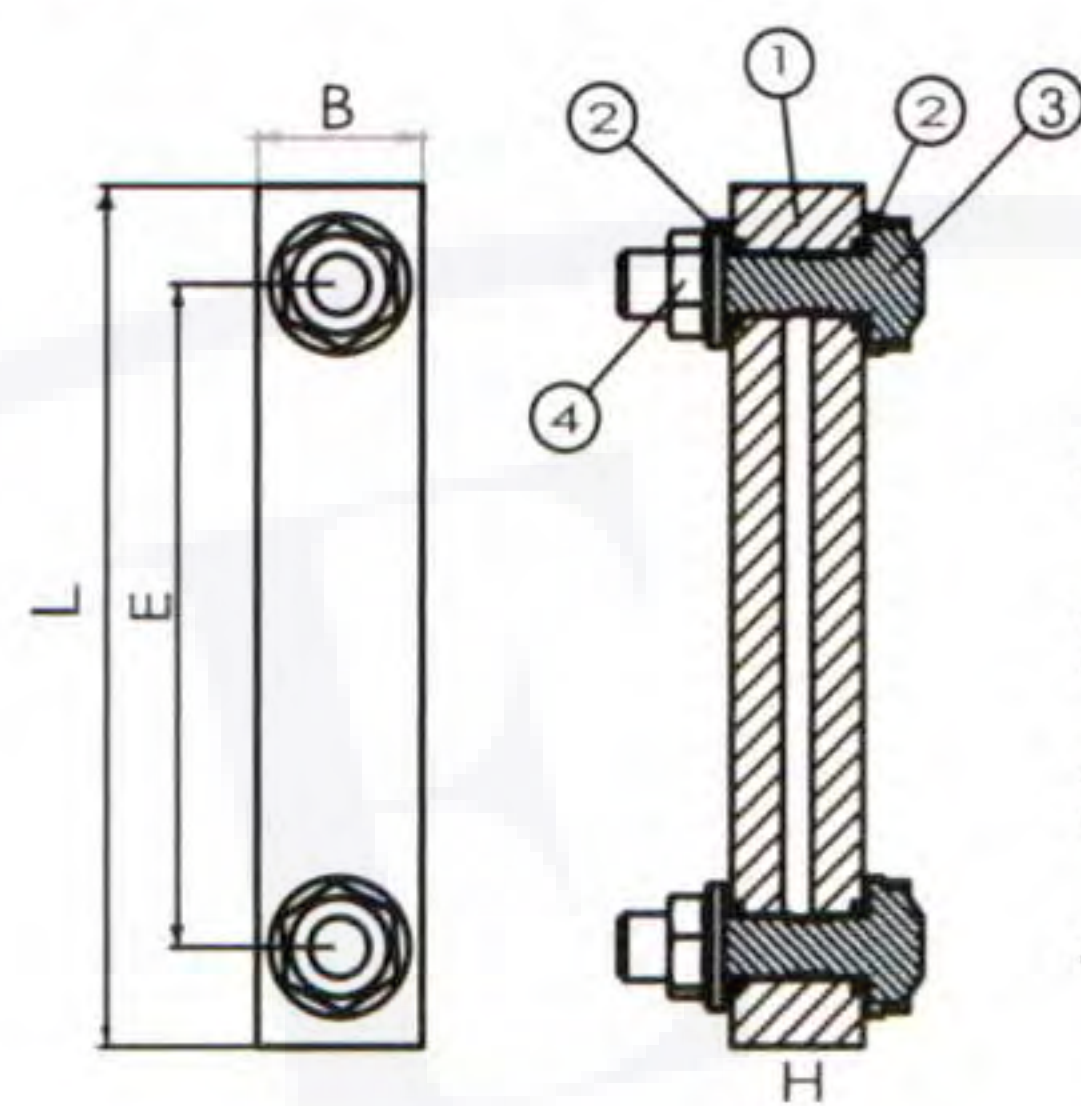
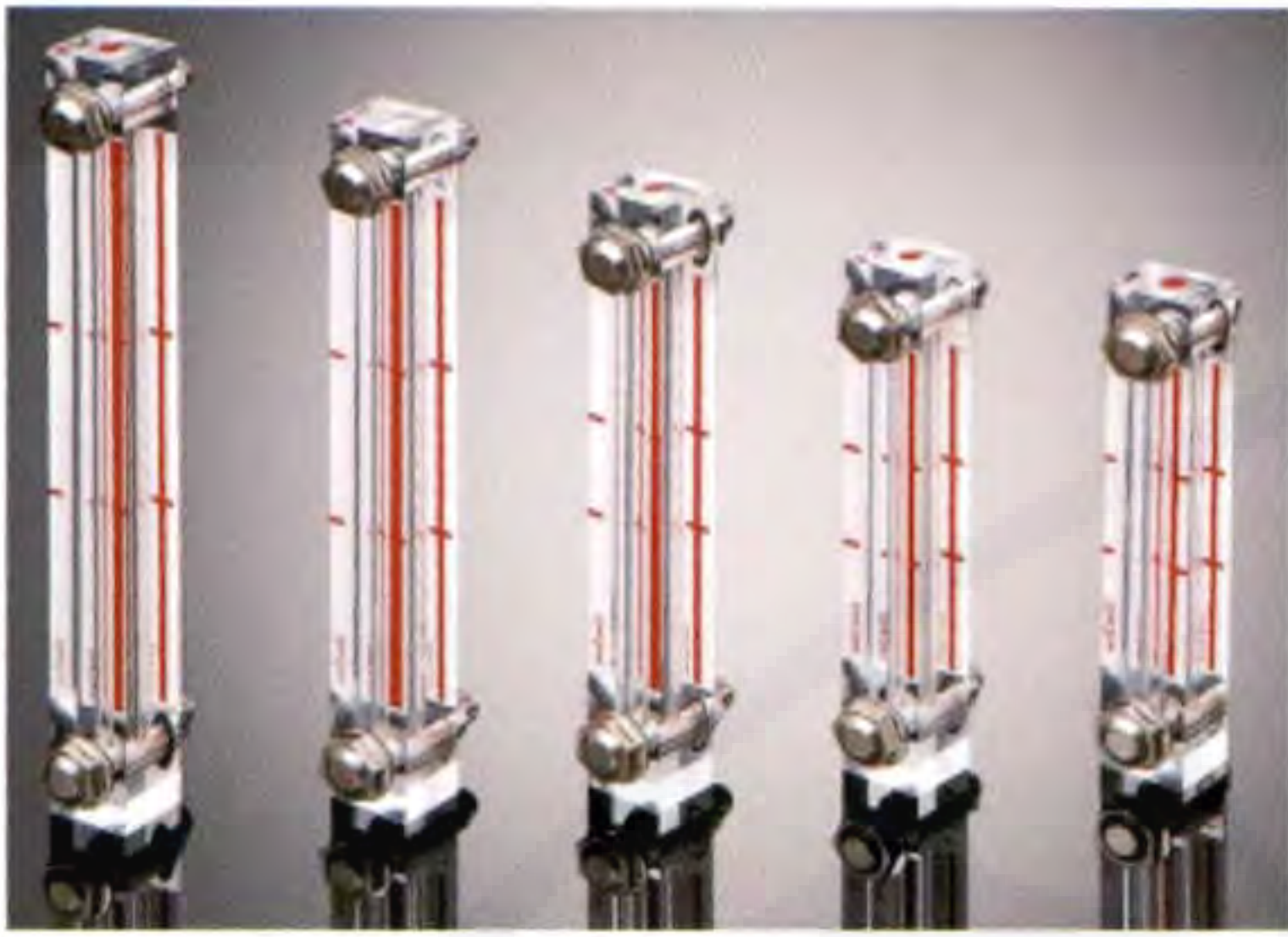
1. Standard
2. Gasket
3. Screw
4. Nut

Unit: mm

Model	L	E	B×H
YWB-120	150	120	44×30
YWB-150	180	150	44×30
YWB-200	230	200	44×30
YWB-220	250	220	44×30
YWB-250	280	250	44×30
YWB-300	330	300	44×30

# Level gauge

## YWSD Plexiglass level gauge

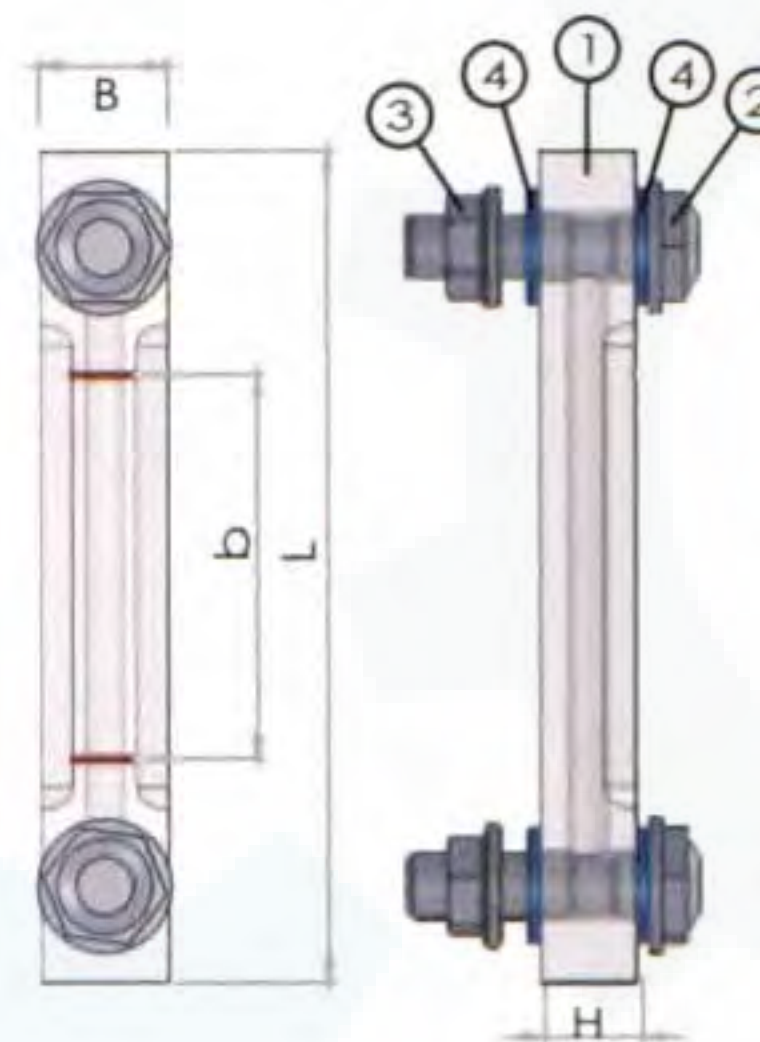


1. Standard
2. Gasket
3. Screw
4. Nut

Unit: mm

Model	L	E	B×H
YWSD-80	110	80	25×20
YWSD-100	130	100	25×20
YWSD-125	155	125	25×20
YWSD-127	157	127	25×20
YWSD-150	180	140	25×20
YWSD-200	230	200	25×20

## YWD Plexiglass level gauge

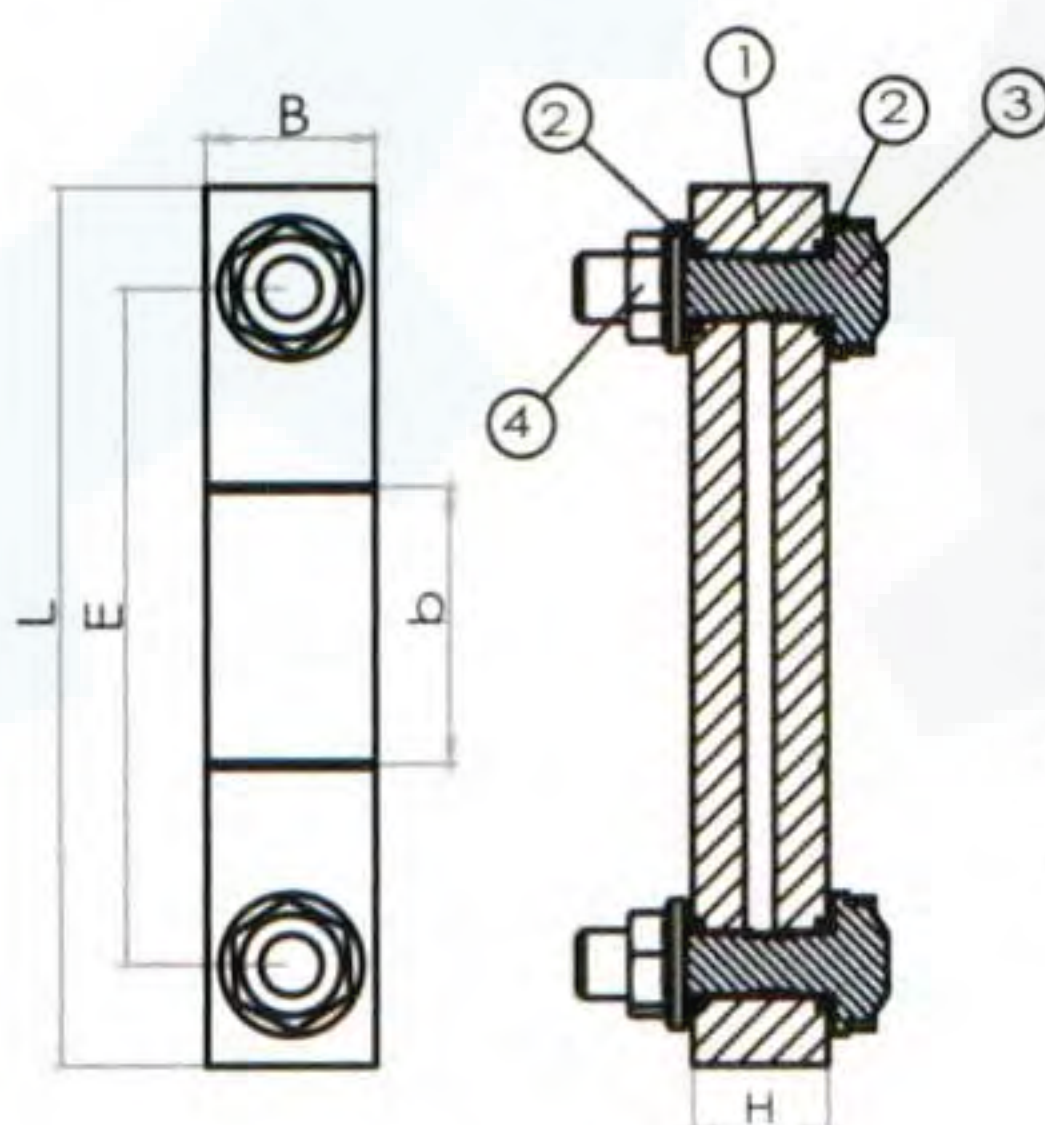


1. Standard
2. Screw M10
3. Gasket
4. Nut

Unit: mm

Model	L	×HE	B
YWD-50	80	50	20×15
YWD-60	90	60	20×15
YWD-80	110	80	20×15
YWD-127	157	127	20×15
YWD-150	180	150	20×15
YWD-160	190	160	20×15
YWD-200	230	200	20×15

## YWHL Plexiglass level gauge

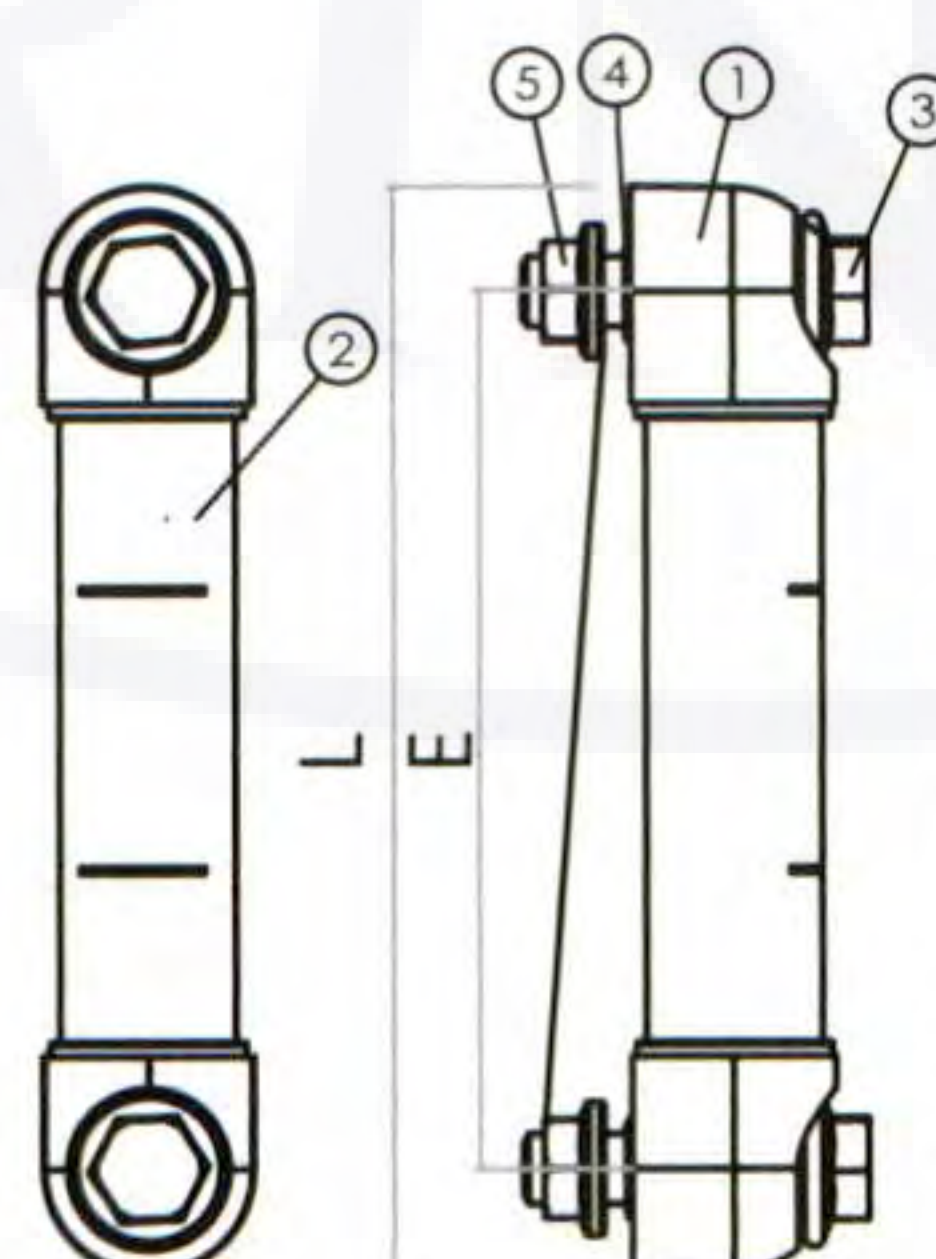
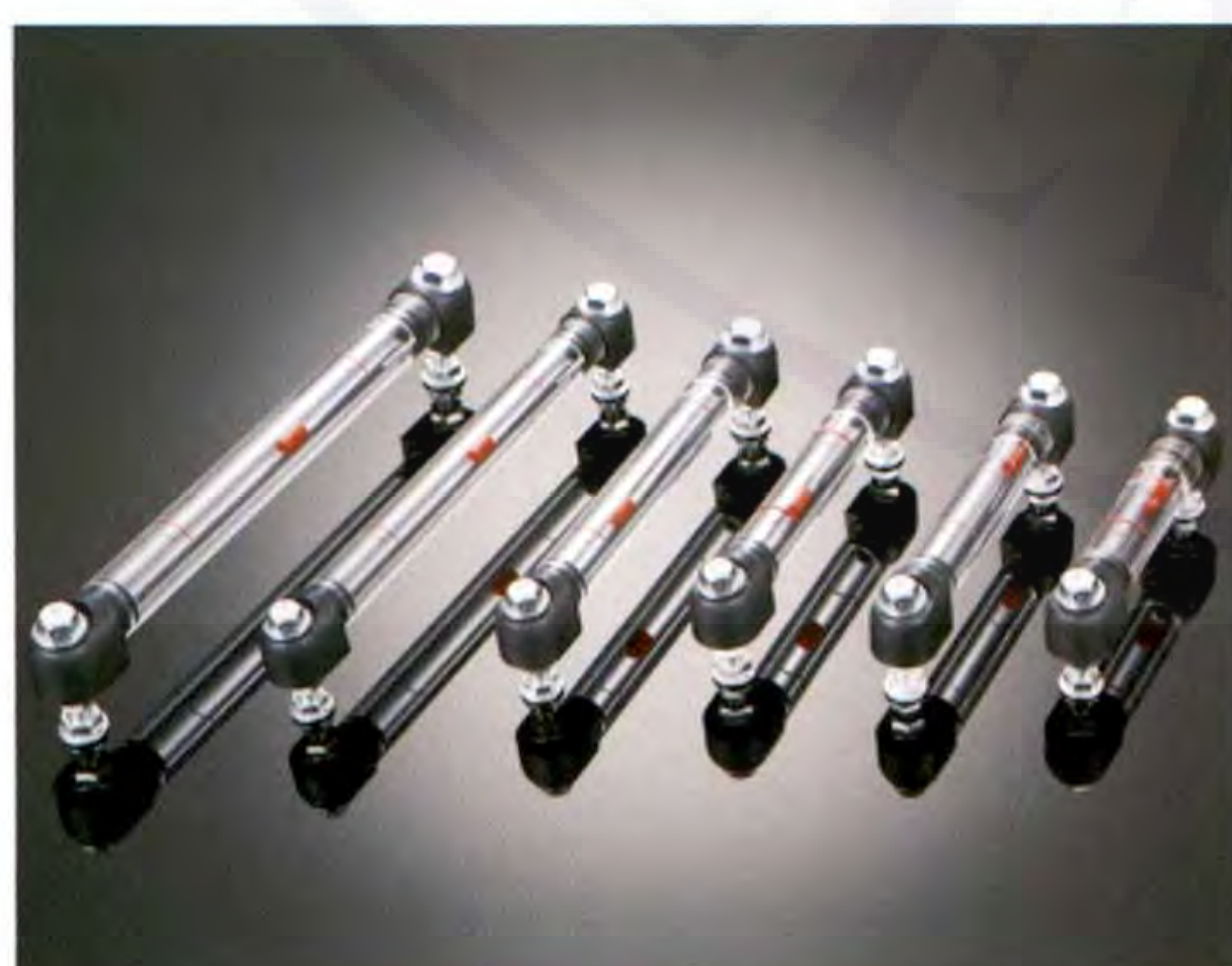


1. Standard
2. Gasket
3. Screw
4. Nut

Unit: mm

Model	L	E	B×H
YWHL-60	90	60	25×20
YWHL-80	110	80	25×20
YWHL-100	130	100	25×20
YWHL-125	155	125	25×20
YWHL-140	170	140	25×20
YWHL-160	190	160	25×20
YWHL-200	230	200	25×20

## XYW (O) level gauge



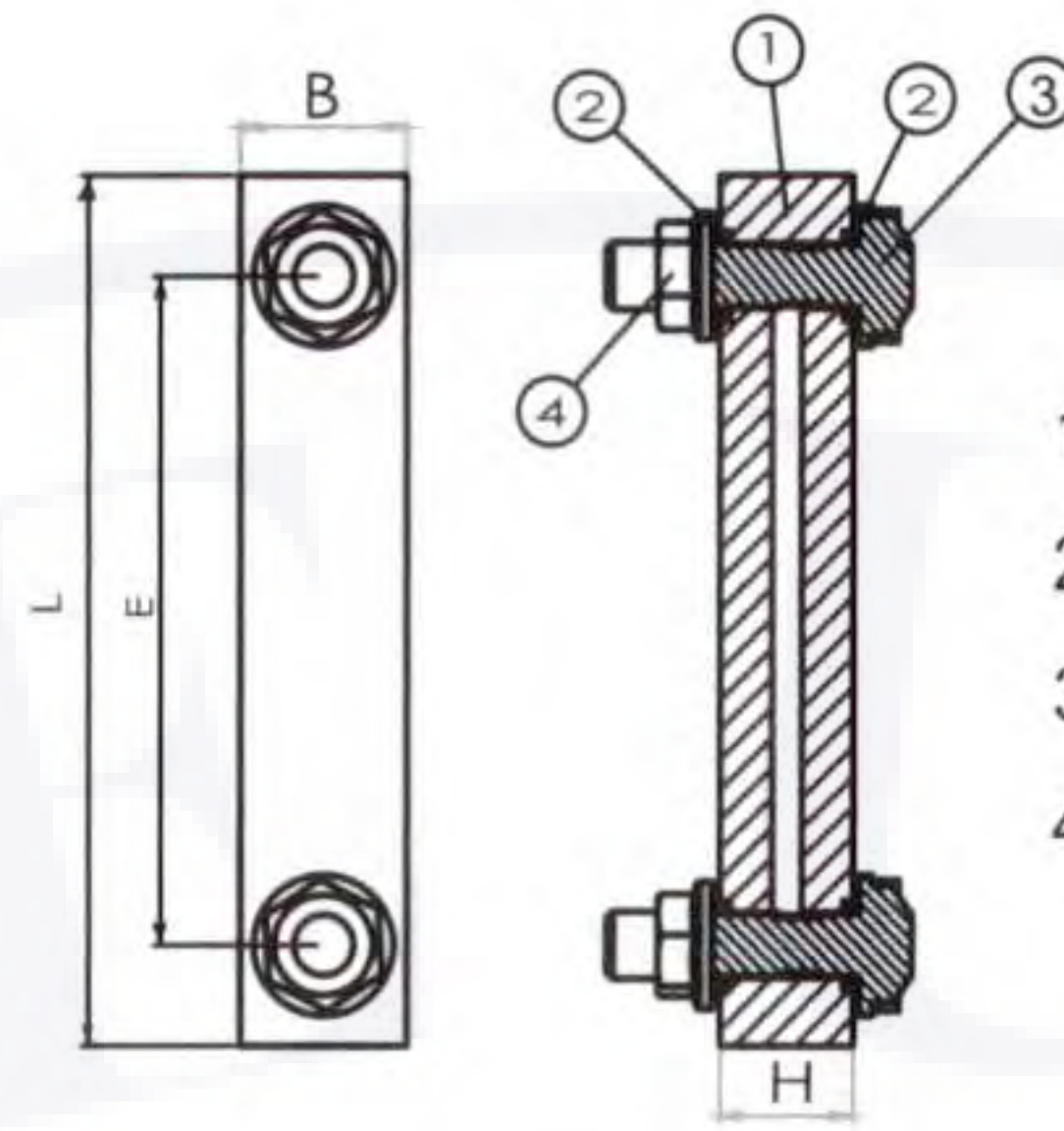
1. Nylon head
2. Tube body
3. Screw
4. Sealing ring
5. Nut

Unit: mm

Model	L	E	D
XYW(0)-127	157	127	M10
XYW(0)-150	180	150	M10
XYW(0)-160	190	160	M10
XYW(0)-200	230	200	M10
XYW(0)-250	280	250	M10
XYW(0)-300	330	300	M10
XYW(0)-350	380	350	M10
XYW(0)-400	430	400	M10
XYW(0)-450	480	450	M10
XYW(0)-500	530	500	M10
XYW(0)-550	580	550	M10
XYW(0)-600	630	600	M10

# Level gauge

## XYW Plexiglass level gauge

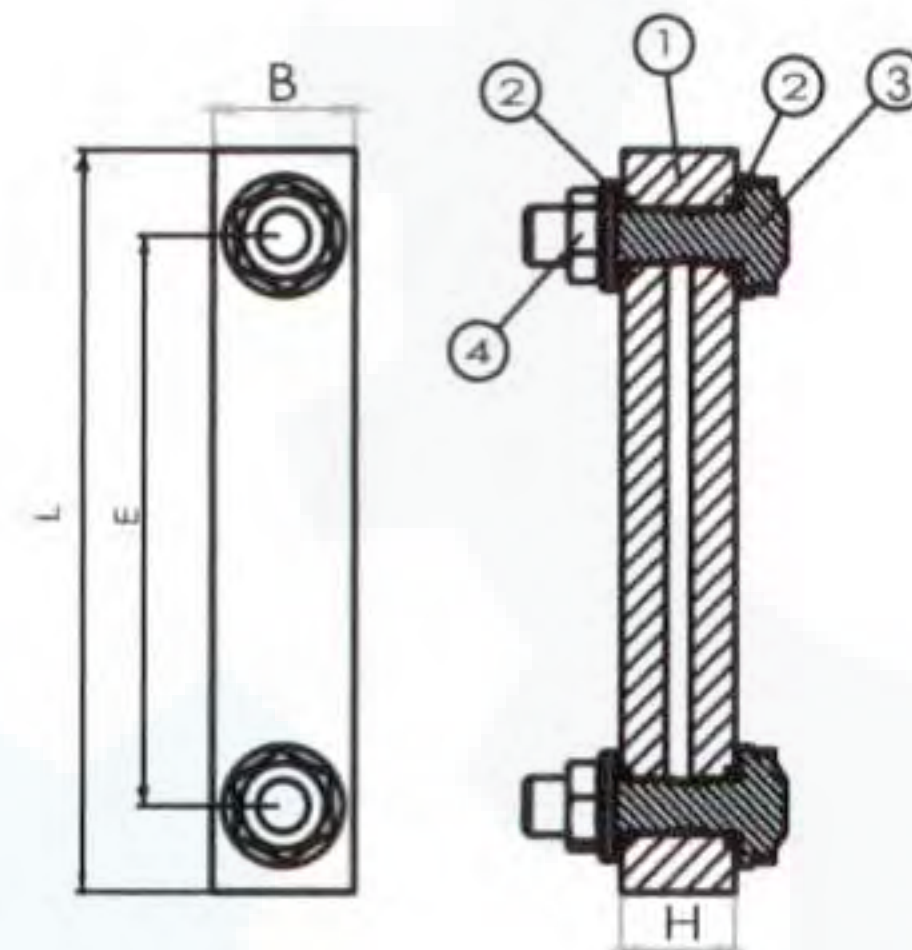


1. Standard
2. Gasket
3. Screw
4. Nut

Unit: mm

Model	L	E	B×H
XYW-80SY	110	80	25×20
XYW-100SY	130	100	25×20
XYW-127SY	157	127	25×20
XYW-150SY	180	150	25×20
XYW-160SY	190	160	25×20
XYW-180SY	210	180	25×20

## KLM level gauge

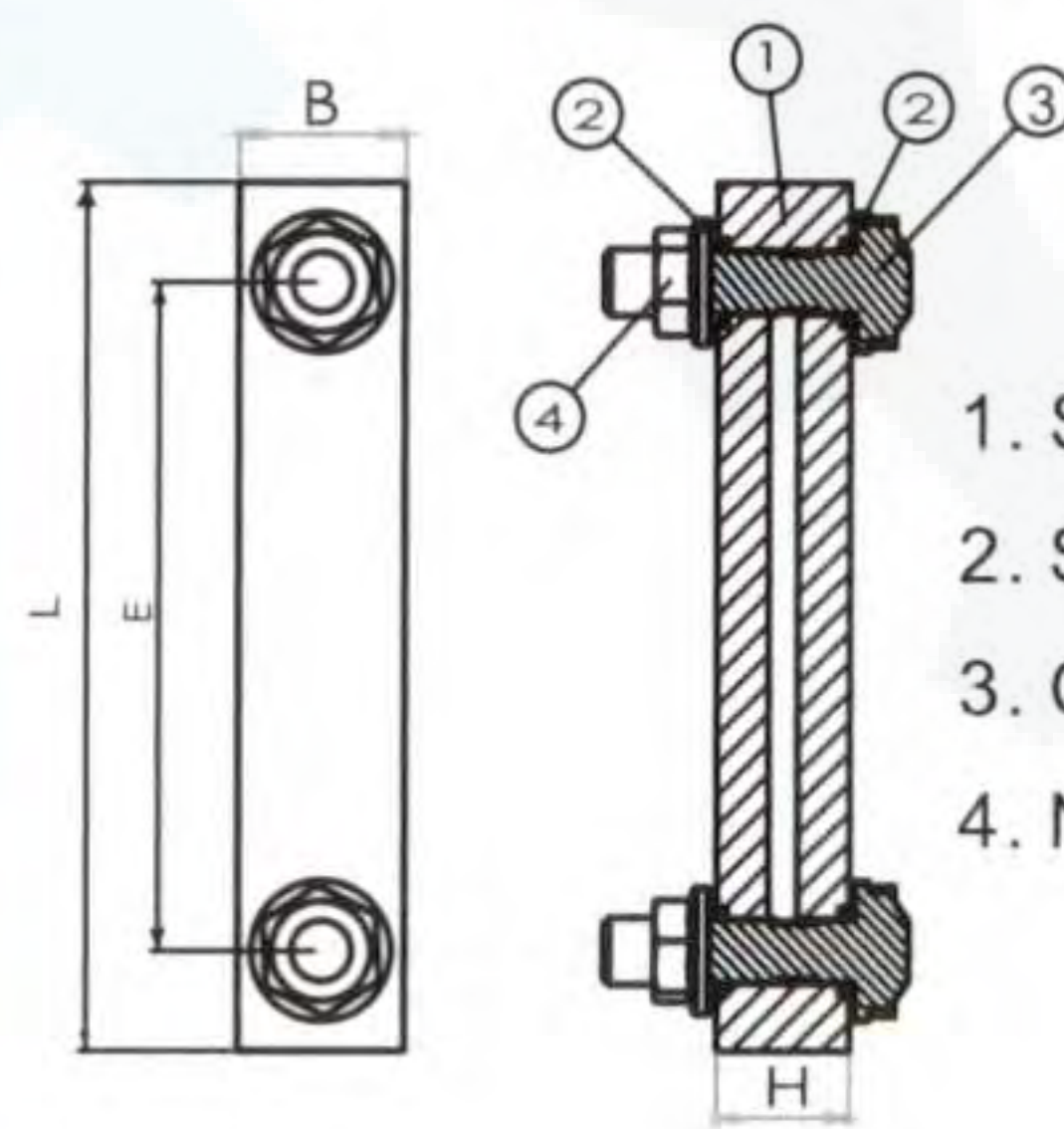


1. Standard
2. Gasket
3. Screw
4. Nut

Unit: mm

Model	L	E	D	B×H
KLM-M80	110	80	M10	25×20
KLM-M100	130	100	M10	25×20
KLM-M125	155	125	M10	25×20
KLM-M150	180	150	M10	25×20
KLM-M160	190	160	M10	25×20

## XYW Acrylic two end color liquid level gauge

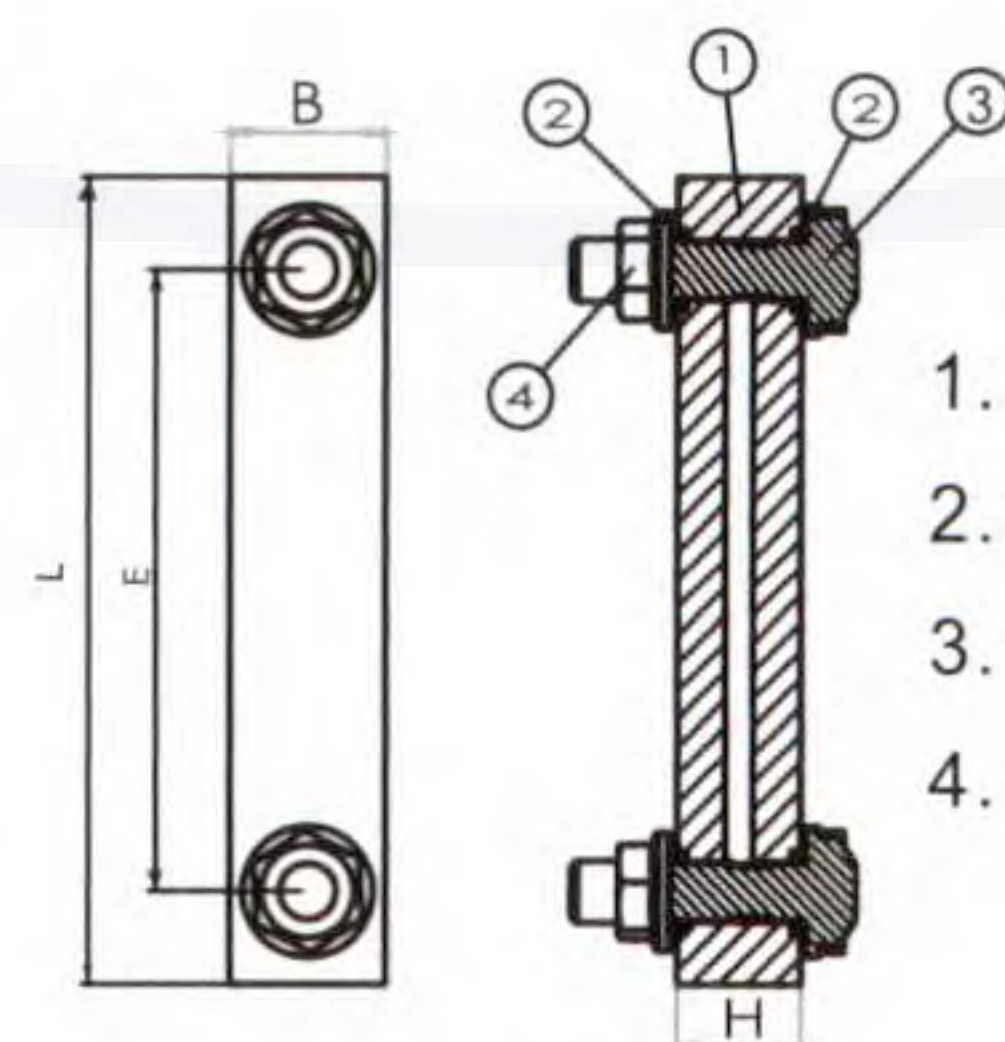


1. Standard
2. Screw M10
3. Gasket
4. Nut

Unit: mm

Model	L	E	B×H
XYW-60Y	95	60	25×20
XYW-76Y	111	76	25×20
XYW-80Y	115	80	25×20
XYW-100Y	135	100	25×20
XYW-125Y	160	125	25×20
XYW-150Y	182	150	25×20
XYW-160Y	195	160	25×20

## XYW Acrylic two end black liquid level gauge



1. Standard
2. Screw M10
3. Gasket
4. Nut

Unit: mm

Model	L	E	B×H
XYW-60B	90	60	22×16
XYW-80B	110	80	22×16
XYW-100B	130	100	22×16
XYW-125B	155	125	22×16
XYW-150B	180	150	22×16
XYW-200B	230	200	22×16



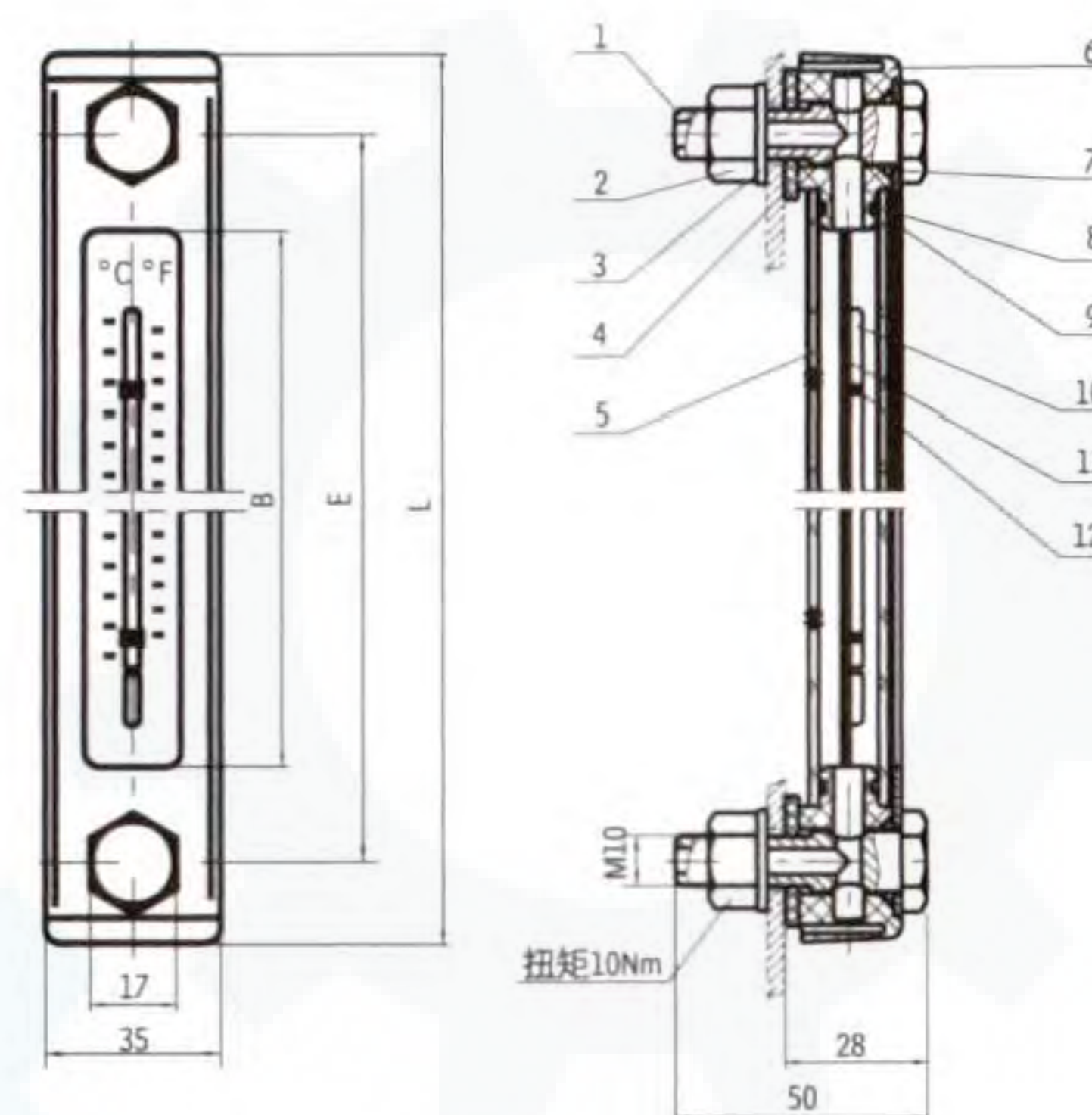
# Level gauge

## YWC Plexiglass level gauge



Model	L	E	B×H
YWC-60	90	60	20×25
YWC-76	106	76	20×25
YWC-80	110	80	20×25
YWC-100	130	100	20×25
YWC-125	155	125	20×25
YWC-150	180	150	20×25

## YWZ Aluminum shell level gauge



- 1. Screw
- 2. Nut
- 3. Washer
- 4. Sealing gasket
- 5. Standard
- 6. Header
- 7. O-ring
- 8. O-ring
- 9. Shell
- 10. Temperature
- 11. Signs
- 12. Tie wire

Unit: mm

Model	L	E	B
YWZ-76T	108	76	37
YWZ-80T	112	80	42
YWZ-100T	132	100	62
YWZ-125T	157	125	87
YWZ-127T	159	127	89
YWZ-150T	182	150	112
YWZ-160T	192	160	122
YWZ-200T	232	200	162
YWZ-250T	282	250	212
YWZ-254T	286	254	216
YWZ-300T	332	300	262
YWZ-350T	382	350	312
YWZ-400T	432	400	362
YWZ-450T	482	450	412
YWZ-500T	532	500	462

## LZB Series Glass rotor flowmeter

**LZB**



Model	LZB-4	LZB-6	LZB-10	LZB-15	LZB-25	LZB-40	LZB-50	LZB-80	LZB-100	
Nominal path (mm)	Φ4	Φ6	Φ10	Φ15	Φ25	Φ40	Φ50	Φ50	Φ100	
Measuring range	Liquid l/h	1-10	2.5-25	6-60	16-160	40-400	160-1600	400-4000	1000-10000	5000-25000
		1.6-16	4-40	10-100	25-250	60-600	250-2500	600-6000	1600-16000	8000-40000
		2.5-25	6-60	16-160	40-400	100-1000				
	Gas Nm/h <sup>3</sup>	0.016-0.16	0.04-0.4	0.1-1	0.25-2.5	1-10	4-40	10-100	50-250	120-600
		0.025-0.25	0.06-0.6	0.16-1.6	0.4-4	1.6-16	6-60	16-160	80-400	200-1000
		0.025-0.25	0.1-1	0.25-2.5	0.6-6	2.5-25				
Precision grade	2.5、4	2.5	2.5	2.5	1.5	1.5	1.5	1.5	1.5	
Working pressure (MPa)	≤1	≤1	≤1	≤0.6	≤0.6	≤0.6	≤0.6	≤0.4	≤0.4	

# Oil cooler / Plate-fin heat exchange

## OR type oil cooler

How to order : OR-60

**OR**



Model	Oil ports	Water ports	Refer flow range	Hear trans area
OR-60	PT 3/4"	PT 3/4"	60	0.39
OR-100	PT 3/4"	PT 3/4"	100	0.58
OR-150	PT 1 1/4"	PT 3/4"	150	0.80
OR-250	PT 1 1/4"	PT 3/4"	250	1.22
OR-350	PT 1 1/2"	PT 3/4"	350	1.92
OR-600	PT 2"	PT 1 1/4"	600	3.03
OR-800	PT 2"	PT 1 1/4"	850	3.94
OR-1000	PT 2"	PT 2"	1000	4.84
OR-1200	PT 2"	PT 2"	1200	5.97

## AH Plate-fin heat exchange

How to order : AH0608LT-CA2

**AH**



Series	Fan Size	Width	Strengthend	Strengthend	Case	Power Source
AH AW AL	06 08	L	T	C	A2	A1:AC 110V D1:DC 12V A2:AC 220V D2:DC 24V • None: If without Fan

AH Plate-fin heat exchangers 20kgf/cm<sup>2</sup> Max.static state pressure  
It suitable for returen loop of hydraulic system,but must have bypass pressure relief loop.

AH	RC/PT"	Vane dia. m/m	Cooling ability kcal/h Temp.difference Δt=30℃	Suitable horse Hp	Size L×H×W m/m	Phase
AH0608T-CA*	3/4"	150	1200	1-2	305X200X115	Single
AH0608LT-CA*	3/4"	150Xn2	2400	2-3	405X200X115	Single
AH1012-CA*	1"	250	5000	3-5	417X360X200	Single
AH1012-3PCA*	1"	250	5500	3-5	417X360X200	Three
AH1215T-A*	1"	300	7000	5-7.5	510X390X210	Three
AH1417-CA*	1"	350	9000	7.5-10	570X411X200	Single
AH1418-CA*	1"	350	10000	7.5-10	570X420X200	Three
AH1428-CA*	1 1/4"	350	13000	15-20	570X420X230	Three
AH1470-A*	1 1/4"	350	11000	10-15	570X407X225	Single
AH1470-CA*	1 1/4"	350	13000	15-20	520X475X320	Three
AH1490-CA*	1 1/2"	350	16000	20-25	520X640X300	Three
AH1680-CA*	1 1/2"	400	21000	25-40	520X640X320	Three
AH1890-CA*	1 1/2"	450	25000	30-50	650X800X380	Three

## Hydraulic motor

Technical parameters for BMR series motor shaft diameter Φ31.75、Φ32

**BMR**



Type	BMR BMRS 36	BMR BMRS 50	BMR BMRS 80	BMR BMRS 100	BMR BMRS 125	BMR BMRS 160	BMR BMRS 200	BMR BMRS 250	BMR BMRS 315	BMR BMRS 375
Geometric displacement(cm <sup>3</sup> /rev.)	36	51.7	81.5	102	127.2	157.2	194.5	253.5	317.5	381.4
Max. speed (rpm)	rated	1055	750	650	520	420	330	265	200	135
	cont.	1250	960	750	600	475	378	310	240	155
	int.	1520	1150	940	750	600	475	385	300	190
Max. torque (N.m)	rated	69	100	160	200	250	320	330	352	420
	cont.	72	100	195	240	300	360	450	540	580
	int.	83	126	220	280	340	430	500	610	690
	peak	105	165	270	320	370	460	560	710	840
Max. output (kw)	cont.	8.5	9.5	12.5	13.0	12.5	12.5	11.0	10.0	7.5
	int.	9.8	11.2	15.0	15.0	14.5	14.0	13.0	12.0	9.0
Max. pressure drop (MPa)	rated	14.0	14.0	14.0	14.0	14.0	14.0	12.0	11.0	8.5
	cont.	14.0	14	17.5	17.5	17.5	16.5	17.5	17.5	13.5
	int.	16.5	17.5	20	20	20	20	20	20	17.5
	pead	22.5	22.5	22.5	22.5	22.5	22.5	22.5	22.5	21
Max. flow (L/min)	rated	40	40	55	55	55	55	55	55	55
	cont.	45	50	60	60	60	60	60	60	60
	int.	55	60	75	75	75	75	75	75	75
Weight (kg)	6.5	6.7	6.9	7	7.3	7.6	8.0	8.5	9.0	9.5

# Hydraulic cylinder

## H-YJZQ-T High pressure ball valves

How to order : H-YJZQ-15T

### H-YJZQ-T



Model	Port size	Nominal pressure
H-YJZQ-08T	1/4"	31.5MPa
H-YJZQ-10T	3/8"	
H-YJZQ-15T	1/2"	
H-YJZQ-20T	3/4"	
H-YJZQ-25T	1"	
H-YJZQ-32T	1 1/4"	
H-YJZQ-40T	1 1/2"	
H-YJZQ-50T	2"	

## Hydraulic cylinder MO series

### MO



Model	Bore size	Port size	Standard stroke mm	Max.Cylinder principle force	Piston port size	Valve type	Max.operating pressure
MO 32	32	PT1/4	25~500	562Kgf	M14X1.5	FA-front flange	0~70/kgf/cm <sup>2</sup>
MO 40	40	PT3/8	25~800	880Kgf	M16X1.5	FB-rear flange	
MO 50	50	PT3/8	25~1000	1373Kgf	M16X1.5	CA-single clevis	
MO 63	63	PT3/8	25~1000	2180Kgf	M22X1.5	CB-double clevis	
MO 80	80	PT1/2	25~1000	3516Kgf	M26X1.5	LB-foot bracket	
MO 100	100	PT1/2	25~1000	5495Kgf	M30X1.5	Y-Y joint	
MO 125	125	PT1/2	25~1000	8586Kgf	M40X2	I-I joint	
MO 160	160	PT3/4	25~1000	14067Kgf	M52X2	TC-center trunnion	

## Hydraulic cylinder HO series

### HO



Model	Bore size	Port size	Standard stroke mm	Max.Cylinder principle force	Piston port size	Valve type	Max.operating pressure
HO 40	40	PT3/8	25~500	1758Kgf	M22X1.5	FA-front flange	0~140/kgf/cm <sup>2</sup>
HO 50	50	PT3/8	25~800	2746Kgf	M26X1.5	FB-rear flange	
HO 63	63	PT3/8	25~1000	4362Kgf	M30X1.5	CA-single clevis	
HO 80	80	PT1/2	25~1000	7034Kgf	M30X1.5	CB-double clevis	
HO 100	100	PT1/2	25~1000	10995Kgf	M40X2	LB-foot bracket	
HO 125	125	PT1/2	25~1000	17172Kgf	M50X2	Y-Y joint	
HO 160	160	PT3/4	25~1000	28134Kgf	M70X2	I-I joint	
HO 200	200	PT1	25~1000	43960Kgf	M90X2	TC-center trunnion	

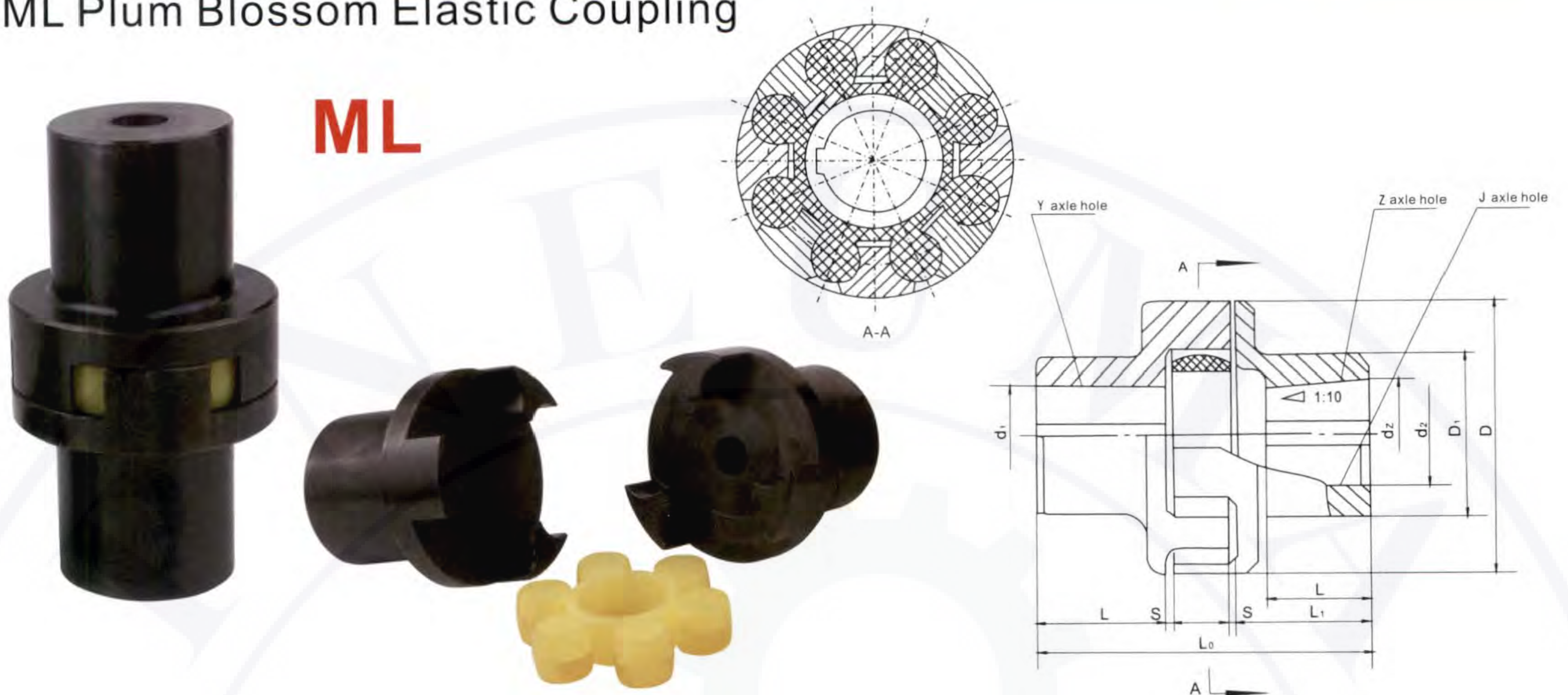
## Hydraulic cylinder



Hydraulic cylinder

# Elastic Coupling

## ML Plum Blossom Elastic Coupling



Basic parameters and main dimensions of ML plum-shaped elastic coupling

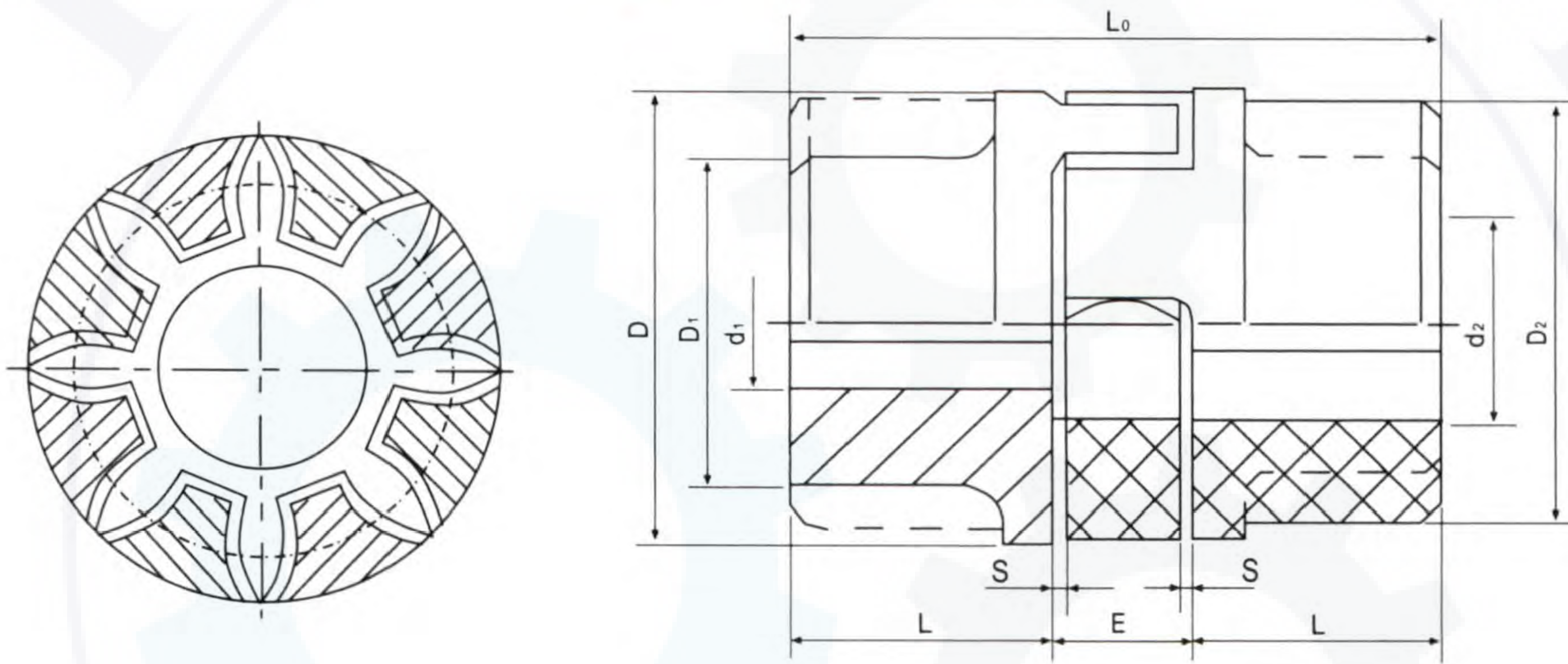
Model	Nominal torque Tn(N.m)	Permissible speed [n](r/min)	Axle hole diameter d1,d2,dz	Axle hole length			L <sub>0</sub> max	D	D <sub>1</sub>	S	Elastic parts type	Moment of inertia
				Y	J	Z						
				L	L	L <sub>1</sub>						
ML1	25	15300	12,14	32	27	32	80	50	40	2	MT1	0.014
			16,18,19	42	30	42	100					
			20,22,24	52	38	52	120					
ML2	100	10900	20,22,24	52	38	52	127	70	50	2.5	MT2	0.075
			25,28 30,32	62 82	44 60	62 82	147 187					
ML3	140	9000	22,24	52	38	52	128	85	60	3	MT3	0.178
			25,28	62	44	62	148					
			30,22,35,38	82	60	82	188					
ML4	250	7300	25,28	62	44	62	151	105	65	3.5	MT4	0.412
			30,32,35,38	82	60	82	191					
			40,42	112	84	112	251					
ML5	400	6100	30,32,35,38	82	60	82	197	125	75	4	MT5	0.73
			40,42,45,48	112	84	112	257					
ML6	630	5300	35*,38	82	60	82	203	145	85	4.5	MT6	1.85
			42*,45,48	112	84	112	263					
			48,50,,55	112	84	112	263					
ML7	1120	4500	45*,48*,50,55	112	84	112	265	170	100	5.5	MT7	3.88
			60,63,65	142	107	142	325					
ML8	1800	3800	50*,55*	112	84	112	272	200	120	6.5	MT8	9.22
			60,63,65	142	107	142	332					
			70,71,75	142	107	142	332					
ML9	2800	3300	60*,63*,65*	142	107	142	334	230	150	7.5	MT9	18.95
			70,71,75	142	107	142	334					
			80,85,90,95	172	132	172	394					
ML10	4500	2900	70*,71*,75*	142	107	142	344	260	180	7.5	MT10	39.68
			80*,85*,90,95	172	132	172	404					
			100,110	212	167	212	484					
ML11	6300	2500	80*,85*,90*,95*	172	132	172	411	300	200	8.5	MT11	73.43
			100,110,120	212	167	212	491					
ML12	11200	2100	90*,95*	172	132	172	417	360	225	9	MT12	178.45
			100*,110*,120*,125*	212	167	212	497					
			130	252	202	252	577					
ML13	12500	1900	100*,110*,120*,125*	212	167	212	497	400	250	9	MT13	208.75
			130*,140*	252	202	252	577					

Elastic Coupling

# Elastic Coupling

## XL Star Elastic Coupling

**XL**



Basic parameters and main dimensions of XL star elastic coupling

mm

Model	Nominal torque T <sub>n</sub> (N.m)	Permissible speed [n](r/min)	Axle hole diameter d <sub>1</sub> ,d <sub>2</sub>	Axle hole length L	D	D <sub>1</sub>	D <sub>2</sub>	E	S	Moment of inertia(kg.m <sup>2</sup> )
XL1	34	19000	6~19~24※	25	40	32	40	16	2	0.0008
XL2	120	14000	8~24~28※	30	55	40	55	18	2	0.0003
XL3	320	11800	10~28~38※	35	65	48	65	20	2.5	0.0007
XL4	650	9500	12~38~45※	45	80	66	78	24	3	0.002
XL5	900	8000	14~42~55※	50	95	75	94	26	3	0.005
XL6	1050	7100	15~48~60※	56	105	85	104	28	3.5	0.008
XL7	1250	6300	20~55~70※	65	120	98	118	30	4	0.016
XL8	1280	5600	22~65~75※	75	135	115	134	35	4.5	0.031
XL9	2930	4750	30~75~90※	85	160	135	158	40	5	0.068
XL10	7200	3750	40~90~100※	100	200	160	180	45	5.5	0.159
XL11	9900	3350	50~100~110※	110	225	180	200	50	6	0.277
XL12	12000	3000	60~110~125※	120	255	200	230	55	6.5	0.51
XL13	15000	2650	60~125~145※	140	290	230	265	60	7	1.0
XL14	22000	2360	60~140~165※	155	320	255	300	65	7.5	1.7
XL15	30000	2000	80~160~190※	175	370	290	345	75	9	3.35
XL16	35000	1800	85~180~220※	195	420	325	400	85	10.5	6.37

XL Star Elastic Coupling

# Coupling elastic cushion

## Coupling elastic cushion



Model	External diameter	Internal diameter	High	Weight	Texture of material
NM265	245	182	58	600	Hardness of NR + SBR 90 ± 2A
NM240	238	178	58	520	
NM214	217	158	45	400	
NM194	195	134	40	266	
NM168	168	109	32	220	
NM148	146	108	29.5	90	
NM128	126	80.5	28	106	
NM112	111	75	25	60	
NM97	94	62	23	40	
NM82	79	52.5	18	26	
NM67	65	42	18	15	
NM50	49.2	31.8	15	7	

Model	Tooth to tooth outer diameter	Tooth to tooth inner diameter	Height	Tooth number	Weight	Texture of material
Gear11H	208	122.3	101.6	24	2500	DuPont Hytrel polyurethane hardness: 90 ± 2A
Gear9H	152	87	76.2	24	800	
Gear8H	128.6	75	63.5	24	500	
Gear7H	110.4	64.5	55.6	24	300	
Gear6H	95.3	54.6	47.6	20	200	
Gear5H	74.6	44	39.7	20	95	
Gear4H	58.7	34	31.8	18	50	



Model	External diameter	Internal diameter	Width of claw	Product weight	Texture of material
HRC280	252	119.4	50.4	1500	Hardness of NR + SBR polyurethane 90 ± 2A
HRC230	201	97	42.3	780	
HRC180	160	76	32	400	
HRC150	133	62	28	270	
HRC130	115.3	49.4	22	155	
HRC110	95.8	43.7	19.4	90	
HRC90	72.4	31.2	15.4	55	
HRC70	58.3	29.6	11.9	20	

Model	Tooth to tooth outer diameter	Tooth to tooth inner diameter	Height	Tooth number	Weight	Texture of material
Gear11J	208	122.3	101.6	24	1750	DuPont Hytrel polyurethane hardness: 90 ± 2A
Gear10J	179.4	102	87.3	24	1150	
Gear9J	152	87	76.2	24	700	
Gear8J	128.6	75	63.5	24	407	
Gear7J	110.4	64.5	55.6	24	262	
Gear6J	95.3	54.6	47.6	20	171	
Gear5J	74.6	44	39.7	20	81	
Gear4J	58.7	34	31.8	18	40	
Gear3J	58.7	34	31.8	18	20	

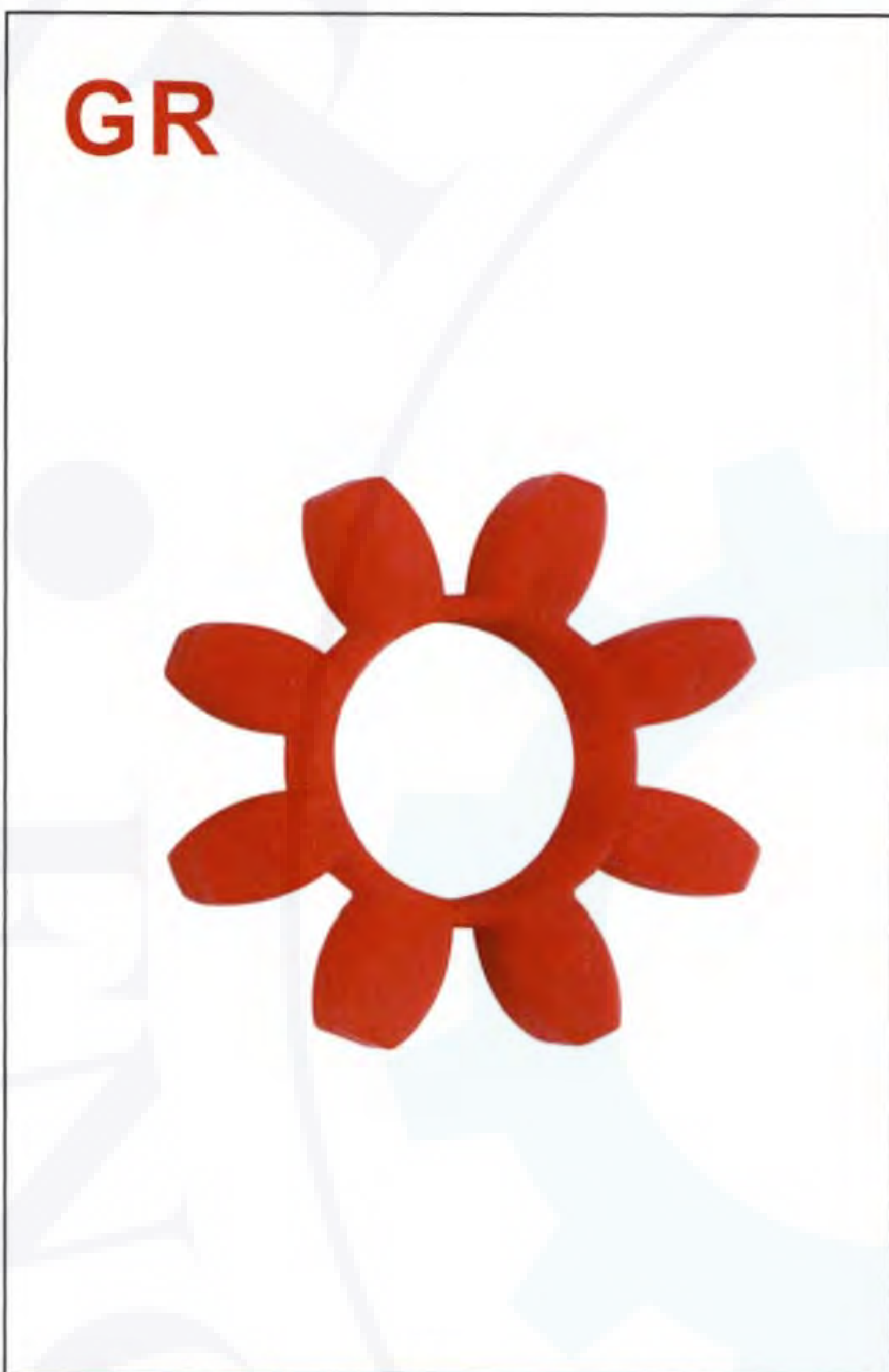


Model	External diameter	Internal diameter	Width of claw	Product weight	Texture of material
L-225	127	45	19	179	Hardness of NR + SBR polyurethane 90 ± 2A
L-190	113	34.6	15	125	
L-150	95	31.7	15	99	
L-110	83.6	30	11.3	62	
L-99/100	63.5	25	10.6	30	
L-90/95	53	22	9.2	16	
L-75	44	19.6	7	11	
L-70	34.7	NO	7	8	
L-50	27.1	NO	8.5	5	
L-35				3	

# Coupling elastic cushion



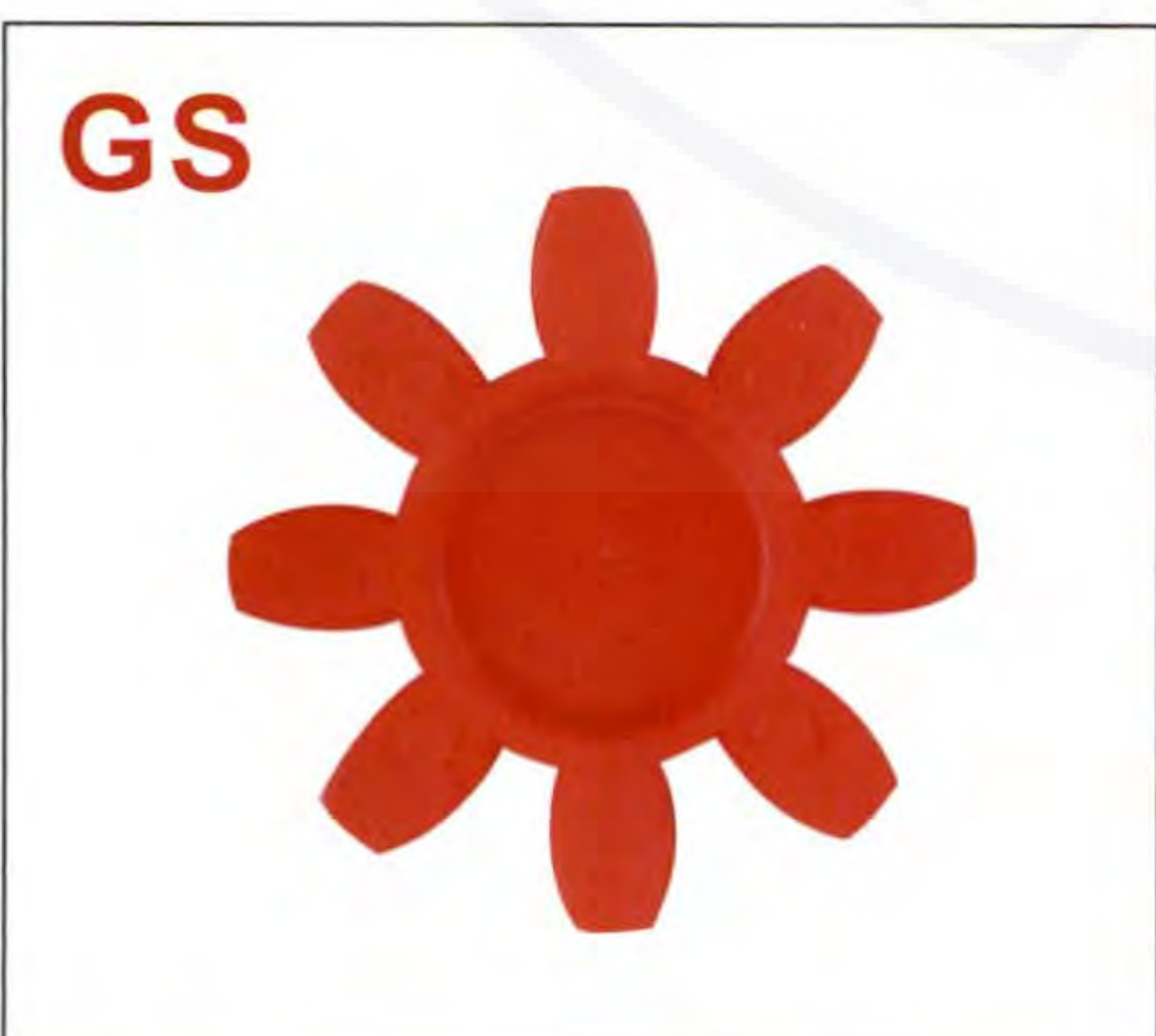
Model	External diameter	Internal diameter	Height	Flap number	Texture of material
MT1	48	19	12	4	TPU hardness 90 ± 2A
MT2	68	28	18	6	
MT3	82	34	18	6	
MT4	100	42	20	6	
MT5	122	52	25	6	
MT6	140	64	30	6	
MT7	166	90	30	8	
MT8	196	100	35	8	
MT9	225	115	35	10	
MT10	255	140	45	10	
MT11	295	170	50	10	
MT12	356	215	55	12	
MT13	391	250	55	12	



Model	External diameter	Internal diameter	High	Flap number	Texture of material
GR10	19	8	10	4	TPU hardness 98 ± 2A
GR14	30	10	12	4	
GR19	40	18	14	6	
GR24	55	27	16	8	
GR28	65	30	17	8	
GR38	80	38	22	8	
GR42	95	46	24	8	
GR48	105	51	25	8	
GR55	120	60	26	8	
GR65	135	68	30	8	
GR75	160	80	38	10	
GR75A	160	80	38	8	
GR90	200	100	42	10	
GR90A	200	100	42	8	
GR100	225	113	38	10	
GR110	250	127	42	10	
GR125	290	147	46	10	
GR140	320	165	50	10	
GR160	370	190	57	10	
GR180	420	220	64	10	



Model	External diameter	Internal diameter	High	Flap number	Texture of material
CC45	37	23	15	6	TPU hardness 90 ± 2A
CC55	46	26	16	6	
CC65	56	35	20	8	
CC80	71	43	23	8	
CC90	80	48	25	8	
CC115	102	58	33	8	
CC130	117	68	37	8	
CC145	131	73	39	8	
CC175	155	85	47	8	
CC200	180	96	53	8	



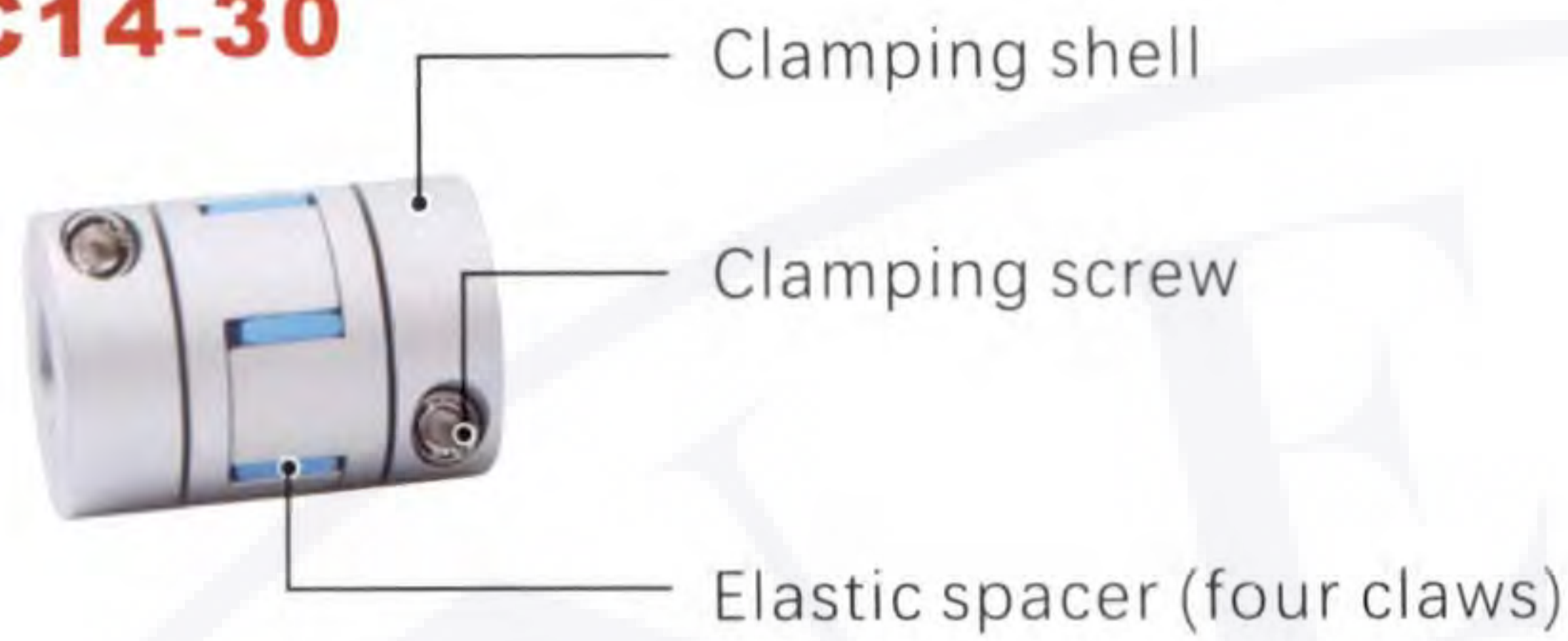
Model	External diameter	Internal diameter	High	Flap number	Texture of material
GS9	20	7.2	10	4	TPU hardness 98 ± 2A
GS14	30	10.5	13	4	
GS19	40	18	16	6	
GS24	55	27	18	8	
GS28	65	30	20	8	
GS38	80	38	24	8	
GS42	95	46	26	8	
GS48	105	51	28	8	
GS55	120	60	30	8	
GS65	135	68	35	8	
GS75	160	80	40	10	

Coupling elastic cushion

# Flexible coupling

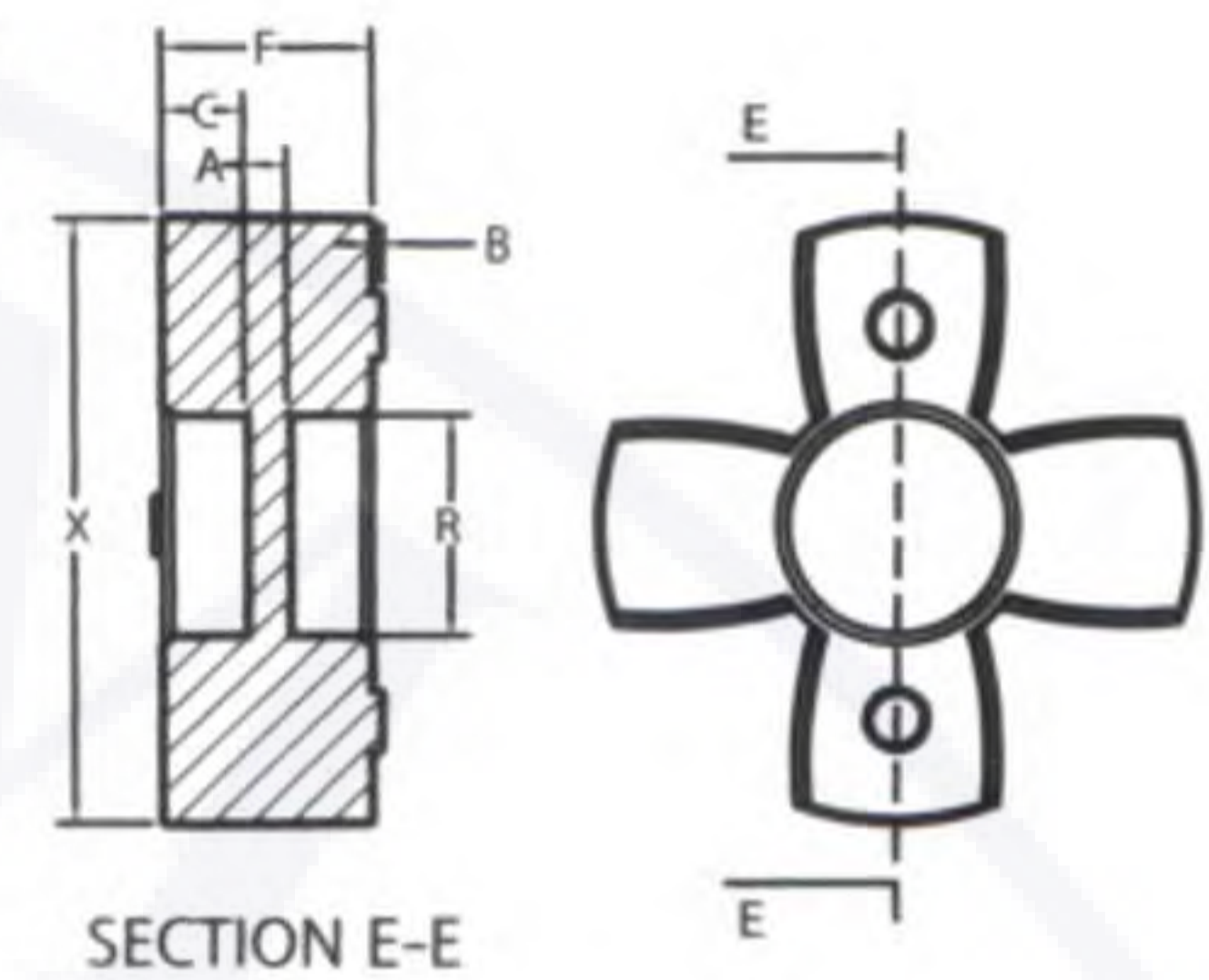
## SLC Flexible Coupling Plum Blossom Topsilk Type

### SLC14-30



### Medium Elastic Plum Blossom Cushion

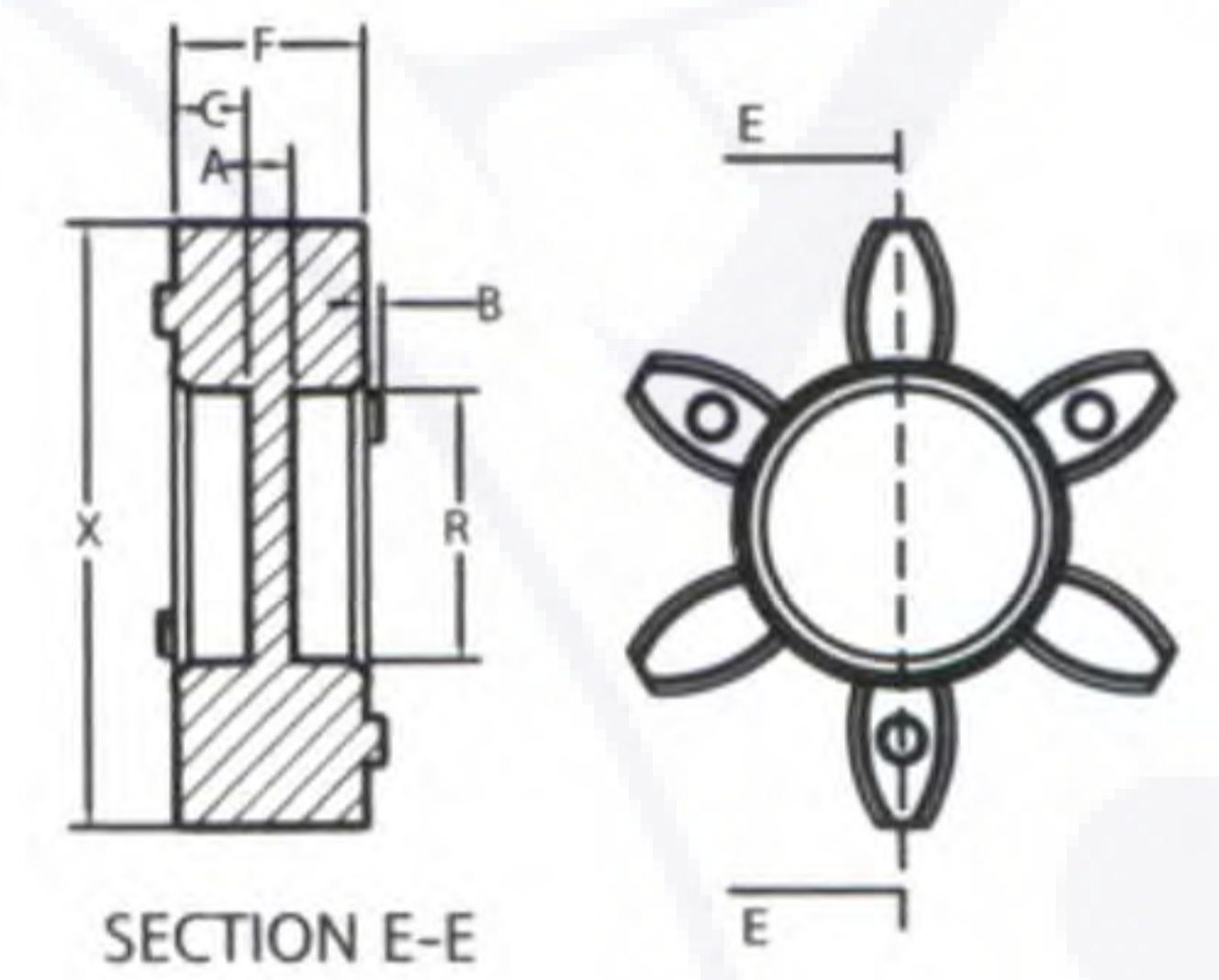
#### LS-014-030



### SLC35-40



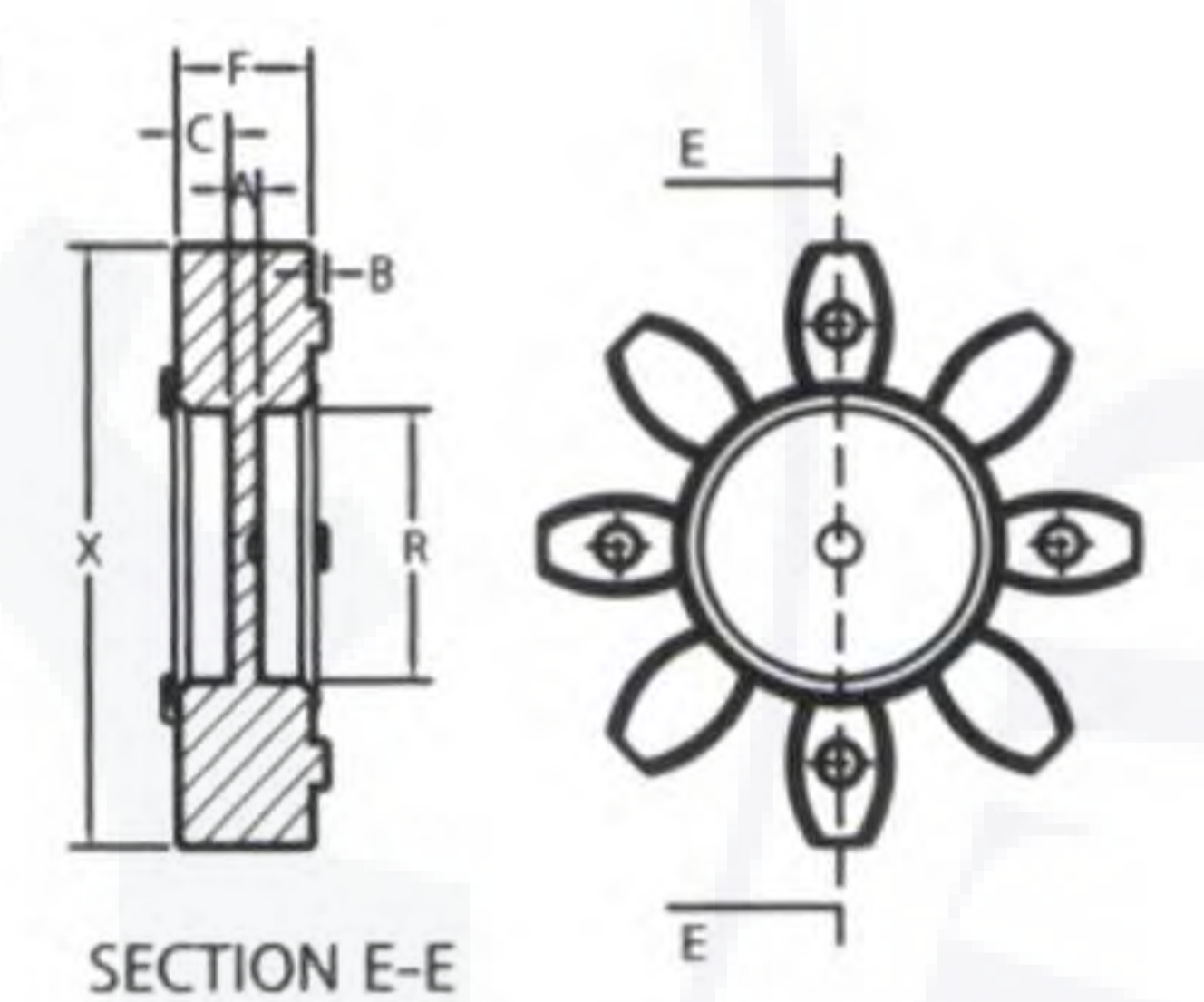
#### LS-035-040



### SLC55-80



#### LS-055-080



Plum Blossom Cushion Model Corresponding Dimension Table

Type of coupling	Plum cushion model	X	F	R	A	B	C
SLC-14	LS-014	14.5	6	4.8	1.6	0.5	2.2
SLC-20S	LS-020	20.5	8	7.4	1.6	0.5	3.2
SLC-20	LS-020	20.5	8	7.4	1.6	0.5	3.2
SLC-25S	LS-025	25.2	9.6	9.2	1.6	0.5	4
SLC-25	LS-025	25.2	9.6	9.2	1.6	0.5	4
SLC-30	LS-030	30.6	10.2	11.2	1.8	0.5	4.2
SLC-30L	LS-030	30.6	10.2	11.2	1.8	0.5	4.2
SLC-35	LS-035	35.3	11.2	15.8	2.6	1	5.2
SLC-40S	LS-040	40.9	12.2	18.4	2.8	1	4.7
SLC-40	LS-040	40.9	12.2	18.4	2.8	1	4.7
SLC-40L	LS-040	40.9	12.2	18.4	2.8	1	4.7
SLC-55S	LS-055	55.9	14.1	27.5	3.7	1.3	5.2
SLC-55	LS-055	55.9	14.1	27.5	3.7	1.3	5.2
SLC-65	LS-065	66.1	15.2	30	5.2	1.5	5
SLC-80	LS-080	80.8	18.1	37	4.1	2	7

### Temperature compensation number

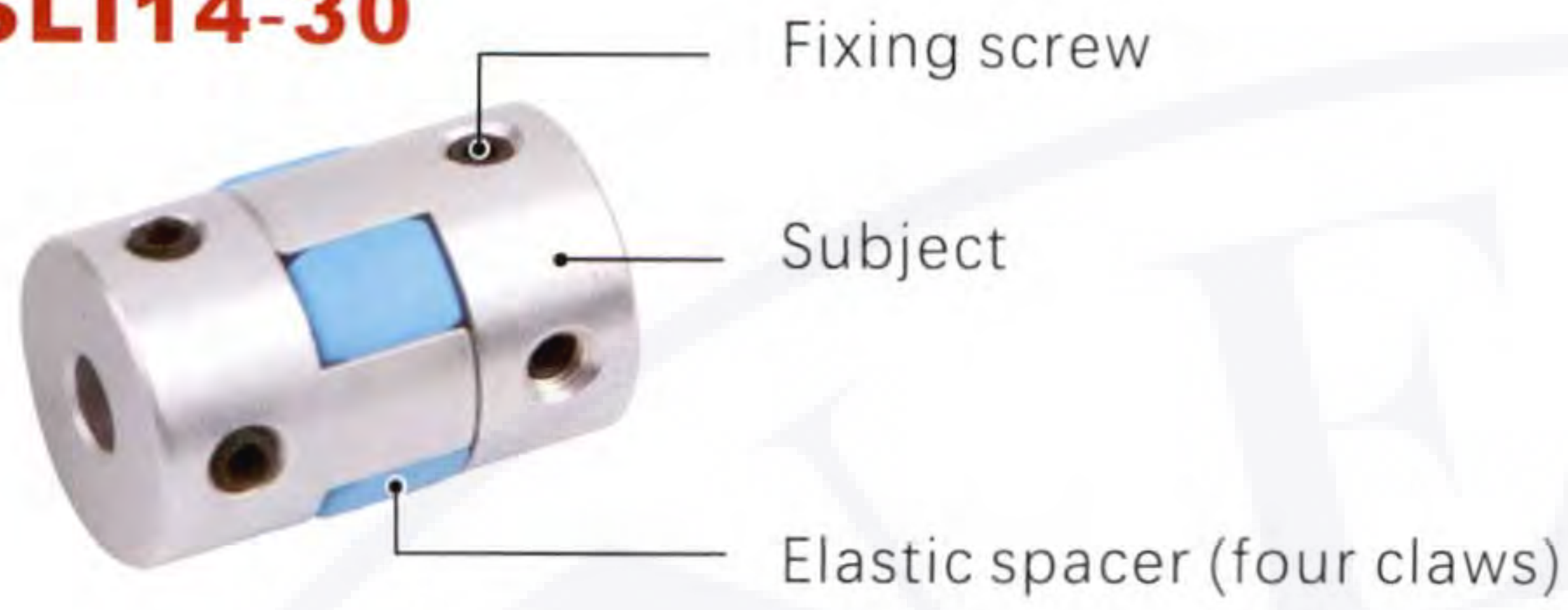
ambient temperature	-20°C~30°C	30°C~40°C	40°C~60°C
Temperature compensation coefficient	1.0	0.8	0.7



# Flexible coupling

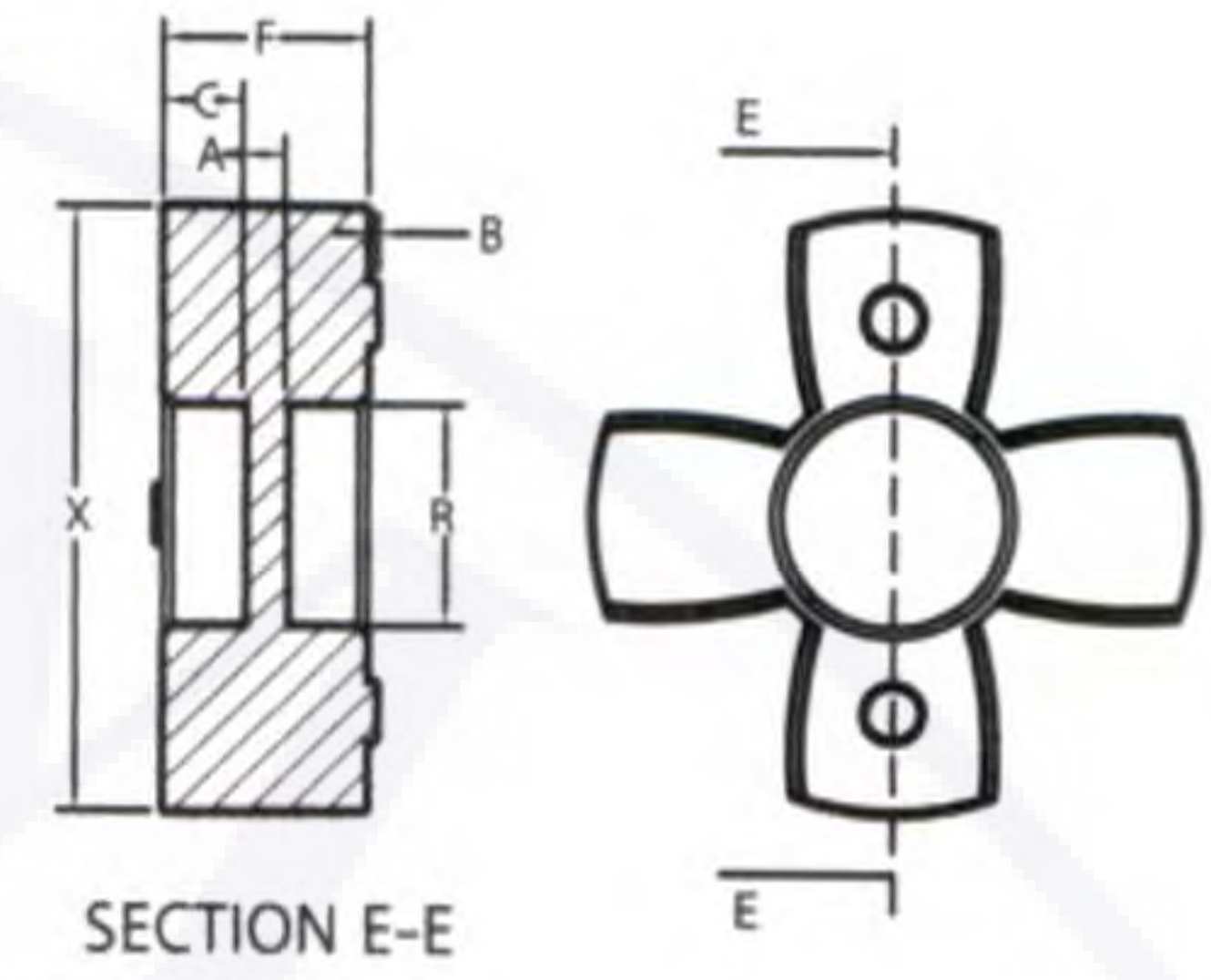
## SLI Flexible Coupling Plum Blossom Topsilk Type

### SLI14-30

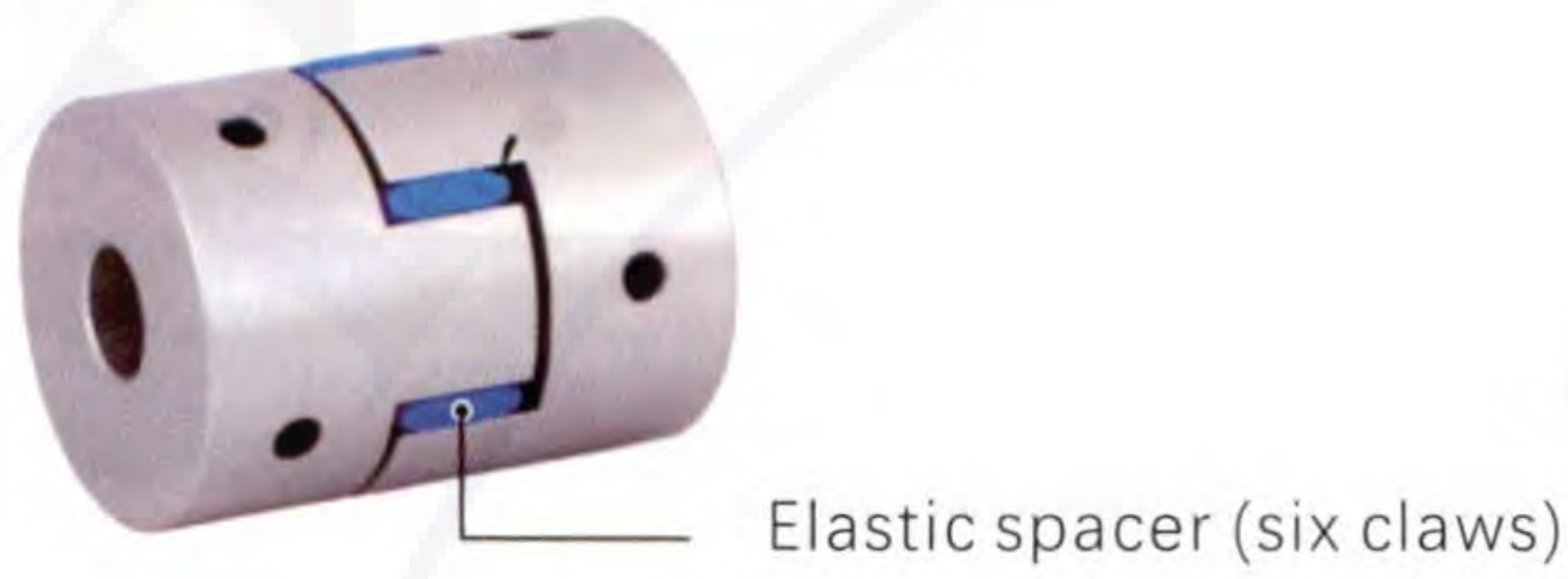


### Medium Elastic Plum Blossom Cushion

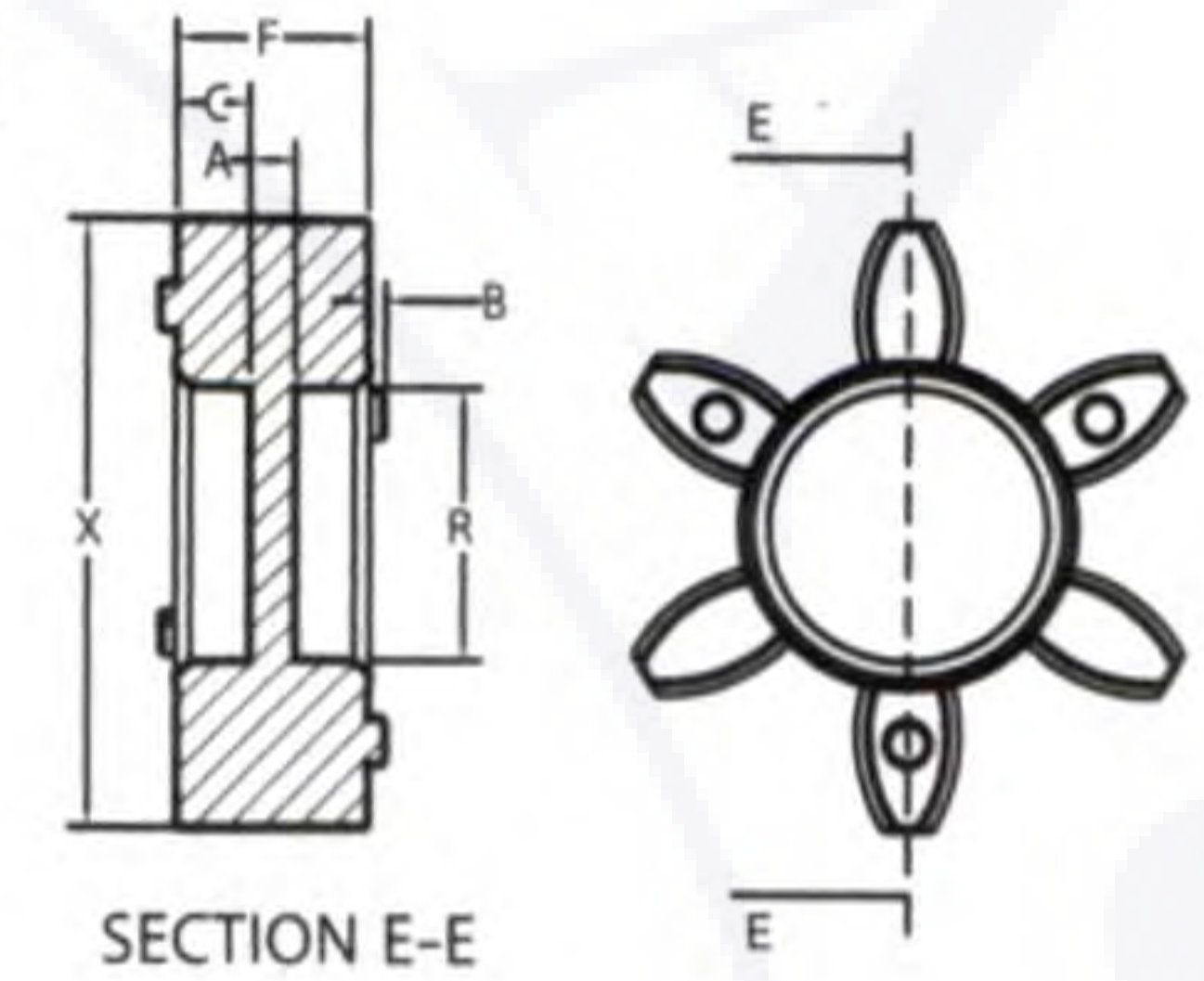
#### LS-014-030



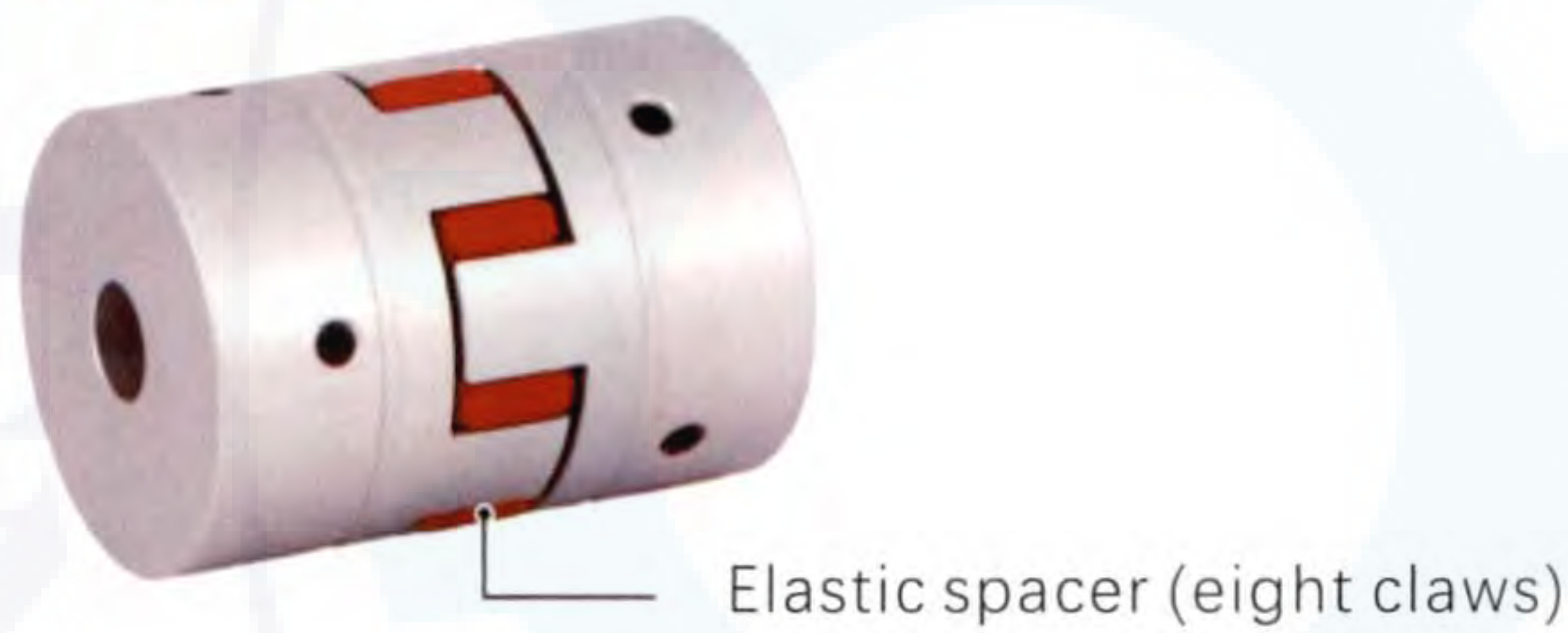
### SLI35-40



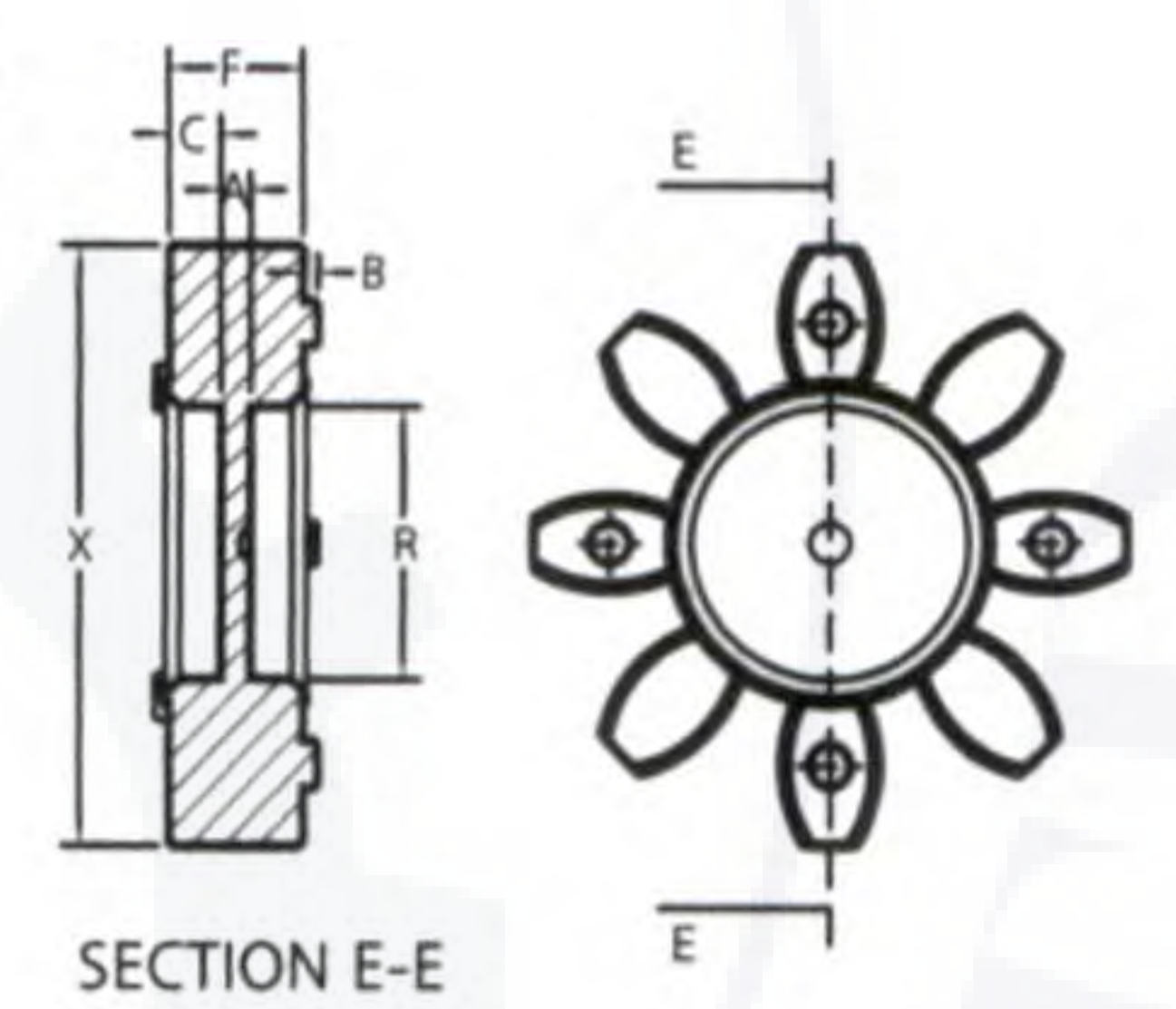
#### LS-035-040



### SLI55-80



#### LS-055-080



Plum Blossom Cushion Model Corresponding Dimension Table

Type of coupling	Plum cushion model	X	F	R	A	B	C
SLI-14	LS-014	14.5	6	4.8	1.6	0.5	2.2
SLI-20S	LS-020	20.5	8	7.4	1.6	0.5	3.2
SLI-20	LS-020	20.5	8	7.4	1.6	0.5	3.2
SLI-25S	LS-025	25.2	9.6	9.2	1.6	0.5	4
SLI-25	LS-025	25.2	9.6	9.2	1.6	0.5	4
SLI-30	LS-030	30.6	10.2	11.2	1.8	0.5	4.2
SLI-30L	LS-030	30.6	10.2	11.2	1.8	0.5	4.2
SLI-35	LS-035	35.3	11.2	15.8	2.6	1	5.2
SLI-40S	LS-040	40.9	12.2	18.4	2.8	1	4.7
SLI-40	LS-040	40.9	12.2	18.4	2.8	1	4.7
SLI-40L	LS-040	40.9	12.2	18.4	2.8	1	4.7
SLI-55S	LS-055	55.9	14.1	27.5	3.7	1.3	5.2
SLI-55	LS-055	55.9	14.1	27.5	3.7	1.3	5.2
SLI-65	LS-065	66.1	15.2	30	5.2	1.5	5
SLI-80	LS-080	80.8	18.1	37	4.1	2	7

### Temperature compensation number

ambient temperature	-20°C~30°C	30°C~40°C	40°C~60°C
Temperature compensation coefficient	1.0	0.8	0.7

# Transmission gear / Pipe clamp

## NM Transmission gear

- NM-67      NM-67+C
- NM-82      NM-82+C
- NM-97      NM-97+C
- NM-112     NM-112+C
- NM-128     NM-128+C



## Pipe clamp

### HTS\*-S



Model	HTS1-S-6PP	HTS1-S-8PP	HTS1-S-10PP	HTS1-S-12PP
	HTS2-S-15PP	HTS2-S-16PP	HTS2-S-18PP	
	HTS3-S-20PP	HTS3-S-22PP	HTS3-S-25PP	
Groups	1=6mm-12mm    2=12.7mm-18mm    3=19mm-25.4mm 4=26.6mm-30mm    5=32mm-42mm    6=44.5mm-50.8mm			

### HTT\*-T



Model	HTT1-T-6PP	HTT1-T-8PP	HTT1-T-10PP	HTT1-T-12PP
	HTT2-T-15PP	HTT2-T-16PP	HTT2-T-18PP	
	HTT3-T-20PP	HTT3-T-22PP	HTT3-T-25PP	
Groups	1=6mm-12mm    2=12.7mm-18mm    3=19mm-25.4mm 4=26.6mm-30mm    5=32mm-42mm			

## MMC Standard oil block

How to order :  
MMC-02-2



### MMC

Standard oil block

### 02

Thread  
02: PT1/4  
03: PT3/8

### -2

Through several  
02: 1--7 Line  
03: 1--6 Line

## Infrared Photoelectric Switch

### E18-B01N1

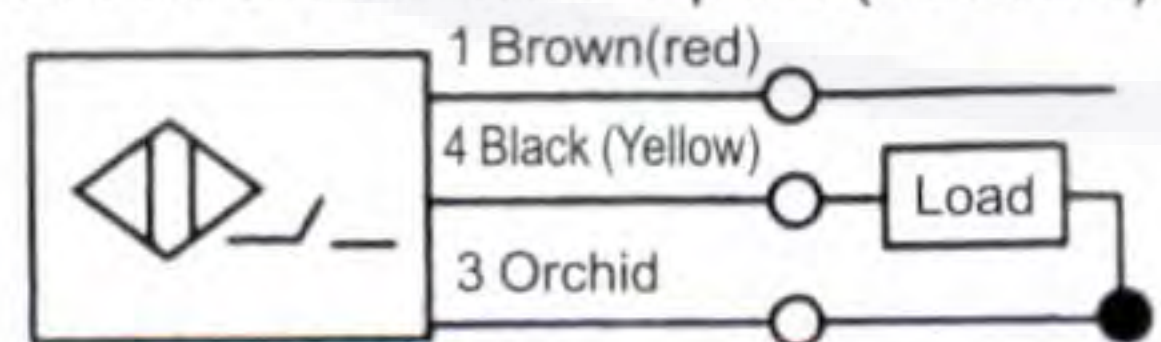


### Wiring diagram

1. Common types of PNP (normal closure)



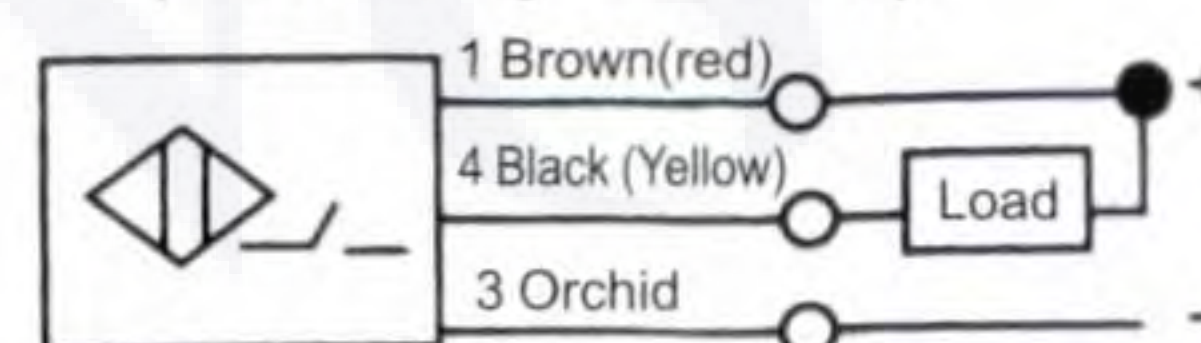
2. AC three-wire open (closed)



3. PNP's Normally Open + Normally Closed Type



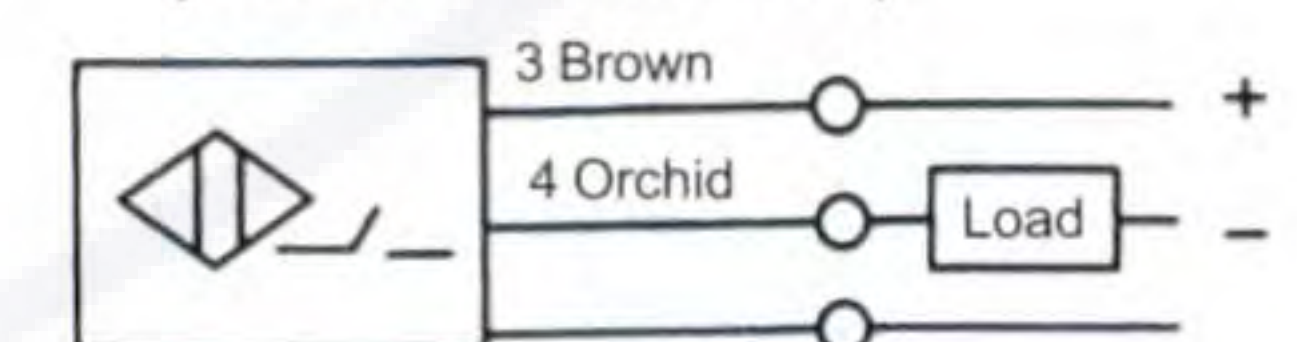
4. NPN Normally Open (Normally Closed)



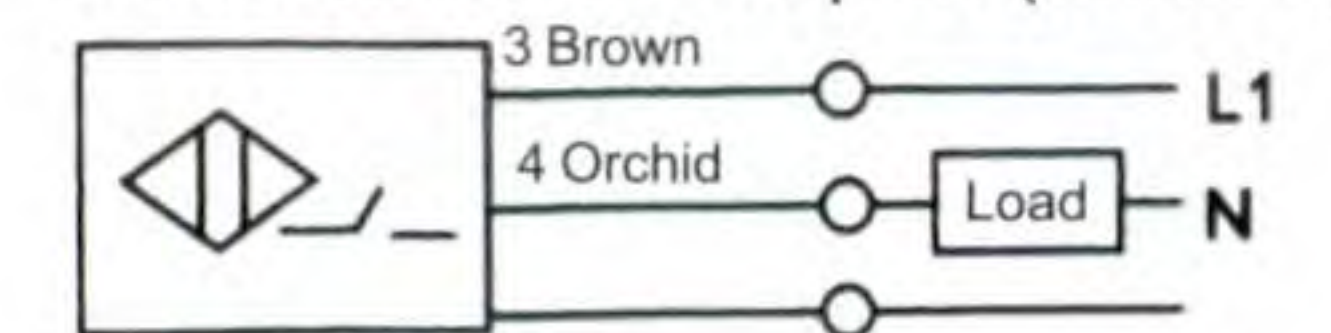
5. PNP normal open + normal closed



6. DC Two-wire Constant Type (Normal Closure)



7. AC three-wire open (closed)



8. AC Five-wire Contact Output

