



New Compact Ball Valve

ADVANTAGES:

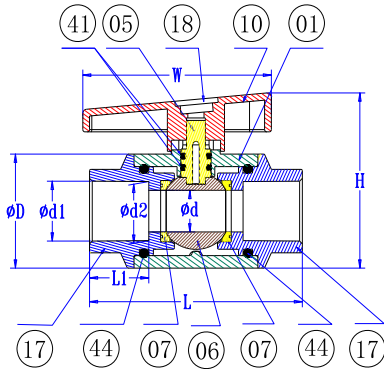
- 1) Enhanced hermeticity
- 2) Smooth opening and closing thanks for a lower torque
- 3) Replaceable ergonomic handle
- 4) 100% pure virgin material, CaCO₃ free (Chalk)
- 5) UV resistant powder added
- 6) 100% pressure testing before leaving the factory
- 7) Easy differentiation from fake SANKING Ball Valves and poor quality imitations

DESCRIPTION:

- 1) Material: PVC, CPVC, HT-CPVC
- 2) Size: 1/2" - 4"; 20mm - 110mm ; DN15 - DN100
- 3) Joint End: Socket, Threaded NPT, BSPF and PT
- 4) Standard: ANSI, DIN, JIS, CNS
- 5) Working Pressure: 150 PSI
- 6) Operating Temperature: PVC(0~55°C); CPVC & HT-CPVC(0~95°C)
- 7) Handle color : red, blue
Valve body color : PVC(dark gray/white), CPVC(light gray), HT-CPVC (light yellow)



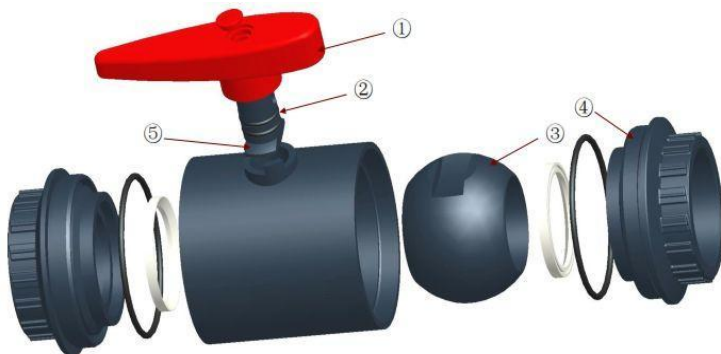
SPECIFICATIONS:



ITEM	PART	MATERIAL	QTY
01	BODY	PVC / CPVC / HT-CPVC	1
05	STEM	PVC / CPVC / HT-CPVC	1
06	BALL	PVC / CPVC / HT-CPVC	1
07	SEAT	TPV / PTFE	2
10	HANDLE	ABS	1
17	UNION END	PVC / CPVC / HT-CPVC	2
18	CAP	ABS	1
41	ORING	EPDM	2
44	ORING	EPDM	2

SIZE	d	d1				d2				D	L	L1	H	W	UNIT: MM
		ANSI	DIN	JIS	CNS	ANSI	DIN	JIS	CNS						operating torque (N·M)
1/2"(15)	15	21.54	20.30	22.30	22.40	21.23	20.10	21.78	21.90	41.00	79.00	22.00	63.00	70.00	2.00
3/4"(20)	20	26.87	25.30	26.30	26.40	26.57	25.10	25.70	25.90	49.20	106.40	31.50	75.00	80.00	2.50
1"(25)	25	33.65	32.30	32.33	34.50	33.27	32.10	31.67	33.90	56.00	116.00	35.00	85.00	90.00	4.00
1 1/4"(32)	32	42.42	40.30	38.43	42.50	42.04	40.10	37.57	41.90	65.50	125.70	35.00	100.50	100.00	4.50
1 1/2"(40)	40	48.56	50.30	48.46	48.60	48.11	50.10	47.54	47.90	78.00	136.50	37.00	120.00	130.00	6.00
2"(50)	50	60.63	63.30	60.56	60.60	60.17	60.10	59.44	59.90	95.00	149.30	38.00	135.50	130.00	6.50
2 1/2"(65)	65	73.38	75.30	76.60	76.70	72.85	75.10	75.87	75.90	119.00	197.50	53.00	158.80	150.00	8.00
3"(80)	75	89.31	90.30	89.60	89.70	88.70	90.10	88.83	88.90	135.00	207.60	51.00	191.00	200.00	12.00
4"(100)	97	114.76	110.40	114.70	115.00	114.10	110.10	114.00	113.80	174.00	254.00	60.00	237.00	260.00	16.00

DESIGNS:



- ① New design more beautiful than the old handle, and difficult to break
- ② Oring is increased from one to two, sealing more reliable
- ③ Ball is milled and polished via CNC machine to enhance its roundness for low-torque and high sealing
- ④ Based on market feedback, the buckle design is changed to rotary melting, body impact strength is increased
- ⑤ The bottom of stem is designed with arc-shape, easily in conjunction with the ball of low-torque

True Union Ball Valve

ADVANTAGES:

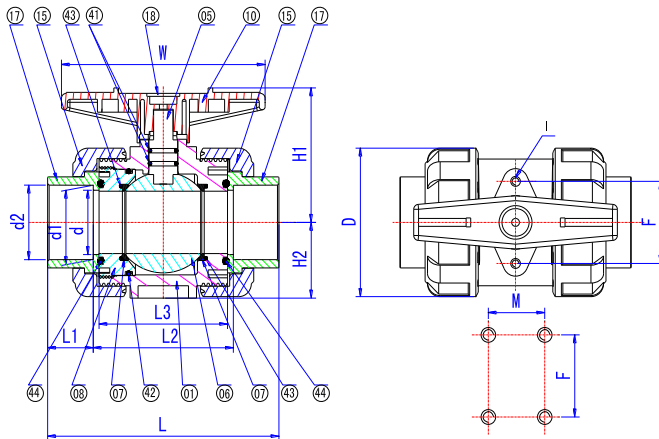
- 1) NSF listed & materials meet drinking water standard
- 2) Smooth opening & closing thanks to a lower torque
- 3) 100% pure virgin material, CaCO₃ free (Chalk)
- 4) UV resistant powder added
- 5) 100% pressure testing before leaving the factory
- 6) Can be assembled with Pneumatic/Electric Actuators

DESCRIPTION:

- 1) Material: PVC, CPVC, Clear PVC, PP, PVDF
- 2) Size: 1/2" - 4"; 20mm - 110mm; DN15 - DN100
- 3) Standard: ANSI, DIN, JIS, CNS
- 4) Joint End: Socket, Threaded(NPT, PT, BSPF), Fusion, Welding
- 5) Seat - PTFE, TPV ; ORING - EPDM, VITON
- 6) Working Pressure: 150 PSI
- 7) Operating Temperature: PVC(0~55℃); CPVC & PP(0~95℃)
- 8) Handle color : red, blue, green, orange
Valve body color : PVC(dark gray), CPVC(light gray), PP(light yellow)
Clear PVC(transperance), PVDF(ivory)



SPECIFICATIONS:



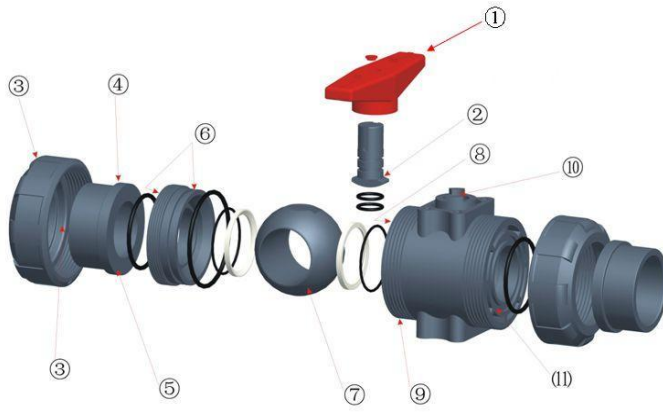
ITEM	PART	MATERIAL	QTY
01	BODY	PVC / CPVC / PP / CLEAR PVC / PVDF	1
05	STEM	PVC / CPVC / PP / CLEAR PVC / PVDF	1
06	BALL	PVC / CPVC / PP / CLEAR PVC / PVDF	1
07	SEAT	TPV / PTFE	2
08	SEAL CARRIER	PVC / CPVC / PP / CLEAR PVC / PVDF	1
10	HANDLE	ABS	1
15	UNION NUT	PVC / CPVC / PP / CLEAR PVC / PVDF	2
17	UNION END	PVC / CPVC / PP / CLEAR PVC / PVDF	2
18	CAP	ABS	1
41	ORING	EPDM / VITON	2
42	ORING	EPDM / VITON	1
43	ORING	EPDM / VITON	2
44	ORING	EPDM / VITON	2

UNIT: MM

SIZE	d	d1				d2				D
		ANSI	DIN	JIS	CNS	ANSI	DIN	JIS	CNS	
1/2"(15)	15	21.54	20.30	22.30	22.40	21.23	20.10	21.70	21.90	54.00
3/4"(20)	20	26.87	25.30	26.30	26.40	26.57	25.10	25.70	25.90	63.00
1"(25)	25	33.65	32.30	32.33	34.50	33.27	32.10	31.67	33.90	73.50
1 1/4"(32)	32	42.42	40.30	38.43	42.50	42.04	40.10	37.57	41.90	84.50
1 1/2"(40)	40	48.56	50.30	48.46	48.60	48.11	50.10	47.54	47.90	98.00
2"(50)	50	60.63	63.30	60.56	60.60	60.17	63.10	59.44	59.90	118.00
2 1/2"(65)	63	73.38	75.30	76.60	76.70	72.85	75.10	75.87	75.90	150.00
3"(80)	75	89.31	90.40	89.60	89.70	88.70	90.10	88.83	88.90	169.00
4"(100)	97	114.76	110.40	114.70	115.00	114.10	110.10	113.98	113.80	211.00

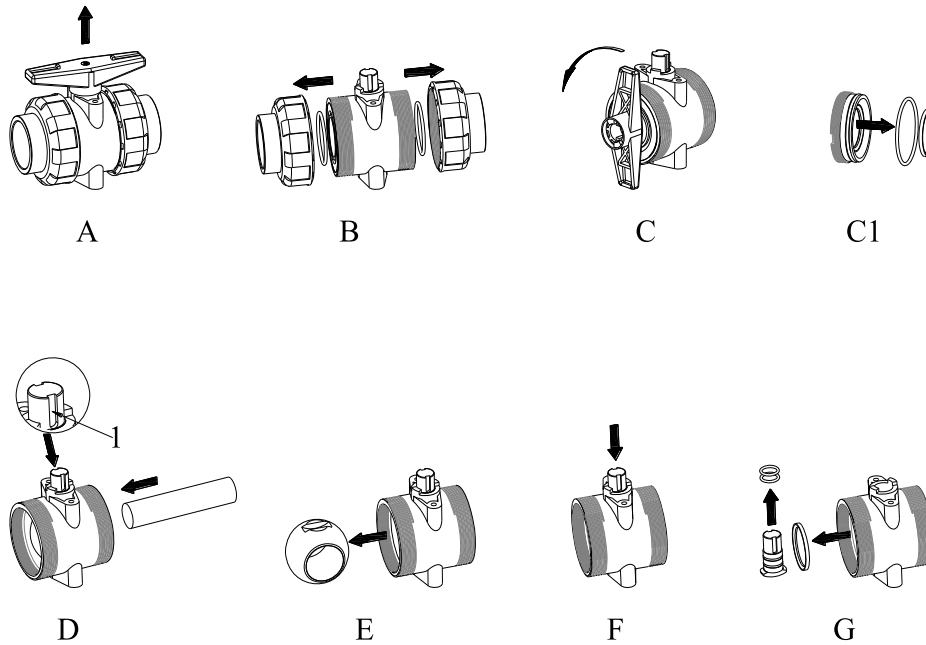
SIZE	L		L1		L2	L3	W	H1	H2	F	M	I	operating torque (Nm)
	ANSI /JIS /CNS	DIN	ANSI /JIS /CNS	DIN									
1/2"(15)	104.80	92.00	22.30	16.00	60.00	52.00	84.00	52.50	27.50	31.00	—	M6	2.0
3/4"(20)	113.00	100.00	25.50	19.00	62.00	54.00	90.00	59.00	32.00	33.00	—	M6	2.5
1"(25)	127.20	114.00	28.60	22.00	70.00	62.00	106.00	67.50	37.25	40.00	—	M6	4.0
1 1/4"(32)	142.00	130.00	32.00	26.00	78.00	70.00	116.00	77.50	42.75	52.00	—	M8	5.0
1 1/2"(40)	157.50	151.50	35.00	32.00	87.50	79.50	128.00	90.00	50.00	52.00	—	M8	7.5
2"(50)	171.00	—	38.00	—	95.00	85.00	140.00	106.00	60.00	70.00	—	M8	8.5
2 1/2"(65)	238.50	—	47.00	—	144.50	132.50	210.00	136.50	76.50	84.00	45.00	M10	13
3"(80)	268.00	—	51.00	—	166.00	150.00	235.00	149.50	86.00	84.00	45.00	M10	16
4"(100)	318.00	—	61.00	—	196.00	172.00	260.00	175.00	107.00	121.00	49.00	M12	25

DESIGNS:



- ① Underside handle extends the length so that both OFF block will not be exposed, more beautiful
- ② Extrusive circular plane change to both side plane, easy processing and assemble
- ③ Lateral plane and ribs of the Union Cap, from the right-angle change to incline to increase the intensity
- ④ Union end from right-angle to slope increase in a round protruding rib to increase the intensity
- ⑤ Surface of Oring change to a plane, and each have been cutting lathe in order to ensure its flatness
- ⑥ Seal carrier and Oring slot is processed by machine, sealing performance is improved.
- ⑦ Each ball has increased turning and grinding to ensure that its true roundness and smoothness. So much easier to handle and not easy leak
- ⑧ Inside body is processed via CNC machine to make sure accurate dimensions
- ⑨ Increase the slope of trapezoidal teeth and the number of teeth in order to ensure their connection strength
- ⑩ Through hole is processed via CNC machine to make sure the stability of sealing
- ⑪ Slot dimension is improved, sealing performance is strengthened.

DISASSEMBLY DETAILS:



- A - pull out the handle
- B - take apart the nuts
- C - turn the seal carrier in an anticlockwise direction
- C1 - take out the Seat & Oring
- D - push the ball
- E - pick out the ball
- F - press the shaft
- G - pick out the Seat & Oring

Note:

- 1) For above "D" step, pls take note the groove position "1" on the shaft
- 2) To assemble the valve, pls follow up the steps from "G" to "A"



XIAMEN SANIDENG PLASTICS INDUSTRY CO.,LTD

Flanged True Union Ball Valve

ADVANTAGES:

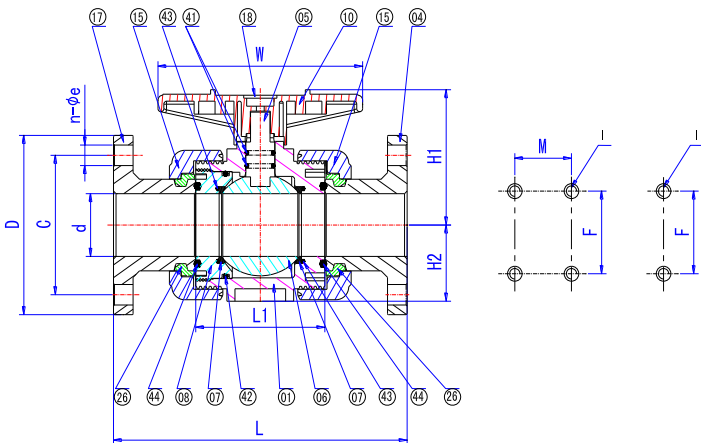
- 1) Materials meet drinking water standard
- 2) Smooth opening & closing thanks to a lower torque
- 3) 100% pure virgin material, CaCO3 free (Chalk)
- 4) UV resistant powder added
- 5) 100% pressure testing before leaving the factory
- 6) Can be assembled with Pneumatic/Electric Actuators

DESCRIPTION:

- 1) Material: PVC, CPVC, PP, PVDF
- 2) Size: 1/2" - 4"; 20mm - 110mm; DN15 - DN100
- 3) Standard: ANSI, DIN, JIS
- 4) Joint End: Flanges
- 5) Working Pressure: 150 PSI
- 6) Operating Temperature: PVC(0~55°C); CPVC & PP(0~95°C)
- 7) Handle color : red, blue, green, orange
Valve body color : PVC(dark gray), CPVC(light gray),
PP(light yellow), PVDF(ivory)



SPECIFICATIONS:



ITEM	PART	MATERIAL	QTY
01	BODY	PVC / CPVC / PP / PVDF	1
05	STEM	PVC / CPVC / PP / PVDF	1
06	BALL	PVC / CPVC / PP / PVDF	1
07	SEAT	TPV / PTFE	2
08	SEAL CARRIER	PVC / CPVC / PP / PVDF	1
10	HANDLE	ABS	1
15	UNION NUT	PVC / CPVC / PP / PVDF	2
17	FLANGE	PVC / CPVC / PP / PVDF	2
18	CAP	ABS	1
26	FLANGE BUCKLE	PVC / CPVC / PP / PVDF	2
41	ORING	EPDM / VITON	2
42	ORING	EPDM / VITON	1
43	ORING	EPDM / VITON	2
44	ORING	EPDM / VITON	2

UNIT: MM

SIZE	d	C			D	L	L1	W	H1	H2	F	M	I	n-ø e	
		ANSI	JIS	DIN										ANSI	DIN/JIS
1/2"(15)	15	60.30	70.00	65.00	95.00	137.00	52.00	84.00	52.50	27.50	31.00	—	M6	4-15	
3/4"(20)	20	70.00	75.00	75.00	105.00	142.00	54.00	90.00	59.00	32.00	33.00	—	M6	4-15	
1"(25)	25	79.40	90.00	85.00	125.00	162.00	62.00	106.00	67.50	37.25	40.00	—	M6	4-19	
1 1/4"(32)	32	88.90	100.00	100.00	140.00	186.00	70.00	116.00	77.50	42.75	52.00	—	M8	4-19	
1 1/2"(40)	40	98.40	105.00	110.00	145.00	205.50	79.50	128.00	90.00	50.00	52.00	—	M8	4-19	
2"(50)	50	120.70	120.00	125.00	165.00	217.00	85.00	140.00	106.00	60.00	70.00	—	M8	4-19	
2 1/2"(65)	63	139.50	140.00	145.00	182.00	302.50	132.50	210.00	136.50	76.50	84.00	45.00	M10	4-19	
3"(80)	75	152.40	150.00	160.00	200.00	330.00	150.00	235.00	149.50	86.00	84.00	45.00	M10	4-19	8-19
4"(100)	97	190.50	175.00	180.00	228.00	378.00	172.00	260.00	175.00	107.00	121.00	49.00	M12	8-19	



Electric Actuated Ball Valve

ADVANTAGES:

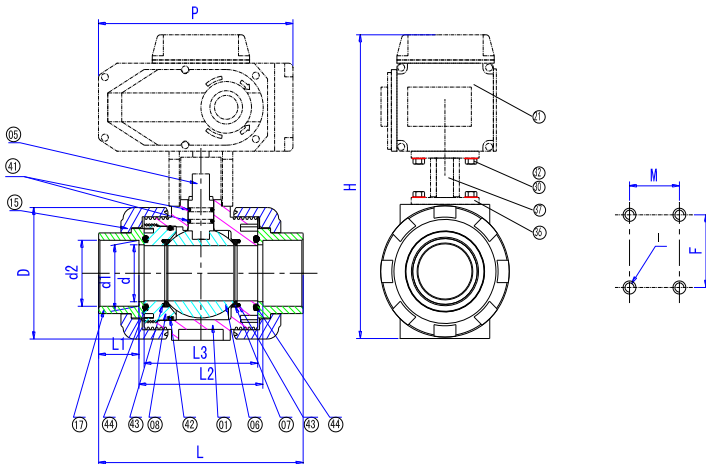
- 1) Plastic actuator body pass impactation & acid-base tests, also meets SGS
- 2) Valve position can be adjusted from 15 degree to 90 degree
- 3) Assembly of actuators and valves meets EN ISO 5211 standard
- 4) Valve body is with 100% pure virgin material, CaCO3 free (Chalk)
- 5) Valve body is added in UV resistant powder
- 6) 100% performance testing before leaving the factory
- 7) Can be assembled with Pneumatic Actuators as well

DESCRIPTION:

- 1) Material: PVC, CPVC, PP, PVDF
- 2) Size: 1/2" - 4"; 20mm - 110mm; DN15 - DN100
- 3) Standard: ANSI, DIN, JIS
- 4) Joint End: Socket, Threaded(NPT, PT, BSPF), Fusion, Welding
- 5) Working Pressure: 150 PSI
- 6) Operating Temperature: PVC(0~55℃); CPVC & PP(0~95℃)
- 7) Valve body color : PVC(dark gray), CPVC(light gray), PP(light yellow), PVDF(ivory)



SPECIFICATIONS:



ITEM	PART	MATERIAL	QTY
01	BODY	PVC / CPVC / PP / PVDF	1
05	STEM	PVC / CPVC / PP / PVDF	1
06	BALL	PVC / CPVC / PP / PVDF	1
07	SEAT	TPV / PTFE	2
08	SEAL CARRIER	PVC / CPVC / PP / PVDF	1
15	UNION NUT	PVC / CPVC / PP / PVDF	2
17	UNION END	PVC / CPVC / PP / PVDF	2
20	ACTUATOR	-	1
30	BOLT	SS 304	6 / 8
32	PAD	SS 304	6 / 8
36	BRACKET	SS 304	1
37	DRIVE ADAPTOR	SS 304	1
41	ORING	EPDM / VITON	2
42	ORING	EPDM / VITON	1
43	ORING	EPDM / VITON	2
44	ORING	EPDM / VITON	2

UNIT: MM

SIZE	d	d1				d2			
		ANSI	DIN	JIS	CNS	ANSI	DIN	JIS	CNS
1/2"(15)	15	21.54	20.30	22.40	22.40	21.23	20.10	21.73	21.90
3/4"(20)	20	26.87	25.30	26.45	26.40	26.57	25.10	25.69	25.90
1"(25)	25	33.65	32.30	32.55	34.50	33.27	32.10	31.70	33.90
1 1/4"(32)	32	42.42	40.30	38.60	42.50	42.04	40.10	37.65	41.90
1 1/2"(40)	40	48.56	50.30	48.70	48.60	48.11	50.10	47.74	47.90
2"(50)	50	60.63	63.30	60.80	60.60	60.17	63.10	59.78	59.90
2 1/2"(65)	63	73.38	75.30	76.60	76.70	72.85	75.10	75.68	75.90
3"(80)	75	89.31	90.40	89.60	89.70	88.70	90.10	88.55	88.90
4"(100)	97	114.76	110.40	114.70	115.00	114.10	110.10	113.60	113.80

SIZE	D	L		L1		L2	L3	P	H	F	M	I	operating torque (Nm)	Model
		ANSI / JIS / CNS	DIN	ANSI / JIS / CNS	DIN									
1/2"(15)	54.00	104.80	92.00	22.30	16.00	60.00	52.00	180.00	174.00	31.00	—	M6	2.0	EA-A6
3/4"(20)	63.00	113.00	100.00	25.50	19.00	62.00	54.00	180.00	183.00	33.00	—	M6	2.5	EA-A6
1"(25)	73.50	127.20	114.00	28.60	22.00	70.00	62.00	180.00	193.50	40.00	—	M6	4.0	EA-A6
1 1/4"(32)	84.50	142.00	130.00	32.00	26.00	78.00	70.00	180.00	216.00	52.00	—	M8	5.0	EA-A6
1 1/2"(40)	98.00	157.50	151.50	35.00	32.00	87.50	79.50	180.00	230.60	52.00	—	M8	7.5	EA-A6
2"(50)	118.00	171.00		38.00		95.00	85.00	180.00	260.70	70.00	—	M8	8.5	EA-A6
2 1/2"(65)	150.00	238.50		47.00		144.50	132.50	180.00	294.30	84.00	45.00	M10	13.00	EA-A6
3"(80)	169.00	268.00		51.00		166.00	150.00	212.00	340.30	84.00	45.00	M10	16.00	EA-A7
4"(100)	211.00	318.00		61.00		196.00	172.00	212.00	401.00	121.00	49.00	M12	25.00	EA-A7

Pneumatic Actuated Ball Valve

ADVANTAGES:

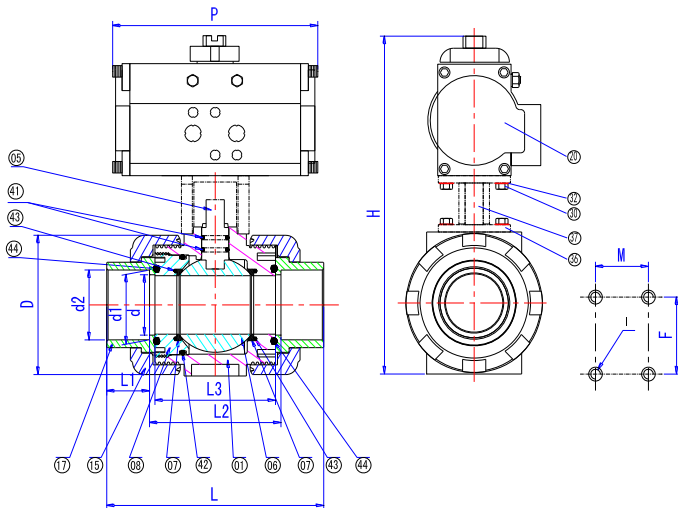
- 1) Materials meet drinking water standard
- 2) Smooth opening & closing thanks to a lower torque
- 3) 100% pure virgin material, CaCO₃ free (Chalk)
- 4) UV resistant powder added
- 5) 100% pressure testing before leaving the factory
- 6) Can be assembled with Electric Actuators as well

DESCRIPTION:

- 1) Material: PVC, CPVC, PP, PVDF
- 2) Size: 1/2" - 4"; 20mm - 110mm; DN15 - DN100
- 3) Standard: ANSI, DIN, JIS
- 4) Joint End: Socket, Threaded(NPT, PT, BSPF), Fusion, Welding
- 5) Working Pressure: 150 PSI
- 6) Operating Temperature: PVC(0~55°C); CPVC & PP(0~95°C)
- 7) Actuator's Lowest Air Pressure: 45PSI; Max. Operating Pressure: 120PSI
- 8) Valve body color : PVC(dark gray), CPVC(light gray),
PP(light yellow), PVDF(ivory)



SPECIFICATIONS:



ITEM	PART	MATERIAL	QTY
01	BODY	PVC / CPVC / PP / PVDF	1
05	STEM	PVC / CPVC / PP / PVDF	1
06	BALL	PVC / CPVC / PP / PVDF	1
07	SEAT	TPV / PTFE	2
08	SEAL CARRIER	PVC / CPVC / PP / PVDF	1
15	UNION NUT	PVC / CPVC / PP / PVDF	2
17	UNION END	PVC / CPVC / PP / PVDF	2
20	ACTUATOR	SS 304	1
30	BOLT	SS 304	6 / 8
32	PAD	SS 304	6 / 8
36	BRACKET	SS 304	1
37	DRIVE ADAPTOR	SS 304	1
41	ORING	EPDM / VITON	2
42	ORING	EPDM / VITON	1
43	ORING	EPDM / VITON	2
44	ORING	EPDM / VITON	2

UNIT: MM

SIZE	d	d1				d2			
		ANSI	DIN	JIS	CNS	ANSI	DIN	JIS	CNS
1/2"(15)	15	21.54	20.30	22.40	22.40	21.23	20.10	21.73	21.90
3/4"(20)	20	26.87	25.30	26.45	26.40	26.57	25.10	25.69	25.90
1"(25)	25	33.65	32.30	32.55	34.50	33.27	32.10	31.70	33.90
1 1/4"(32)	32	42.42	40.30	38.60	42.50	42.04	40.10	37.65	41.90
1 1/2"(40)	40	48.56	50.30	48.70	48.60	48.11	50.10	47.74	47.90
2"(50)	50	60.63	63.30	60.80	60.60	60.17	63.10	59.78	59.90
2 1/2"(65)	63	73.38	75.30	76.60	76.70	72.85	75.10	75.68	75.90
3"(80)	75	89.31	90.40	89.60	89.70	88.70	90.10	88.55	88.90
4"(100)	97	114.76	110.40	114.70	115.00	114.10	110.10	113.60	113.80

SIZE	D	L		L1		L2	L3	P	H	F	M	I
		ANSI /JIS /CNS	DIN	ANSI /JIS /CNS	DIN							
1/2"(15)	54.00	104.80	92.00	22.30	16.00	60.00	52.00	155.00	176.50	31.00	—	M6
3/4"(20)	63.00	113.00	100.00	25.50	19.00	62.00	54.00	155.00	186.00	33.00	—	M6
1"(25)	73.50	127.20	114.00	28.60	22.00	70.00	62.00	155.00	196.50	40.00	—	M6
1 1/4"(32)	84.50	142.00	130.00	32.00	26.00	78.00	70.00	168.00	235.00	52.00	—	M8
1 1/2"(40)	98.00	157.50	151.50	35.00	32.00	87.50	79.50	168.00	249.50	52.00	—	M8
2"(50)	118.00	171.00	171.00	38.00	38.00	95.00	85.00	168.00	280.00	70.00	—	M8
2 1/2"(65)	150.00	238.50	238.50	47.00	47.00	144.50	132.50	219.00	331.00	84.00	45.00	M10
3"(80)	169.00	268.00	268.00	51.00	51.00	166.00	150.00	249.00	362.50	84.00	45.00	M10
4"(100)	211.00	318.00	318.00	61.00	61.00	196.00	172.00	249.00	423.00	121.00	49.00	M12

Handle Level Butterfly Valve

ADVANTAGES:

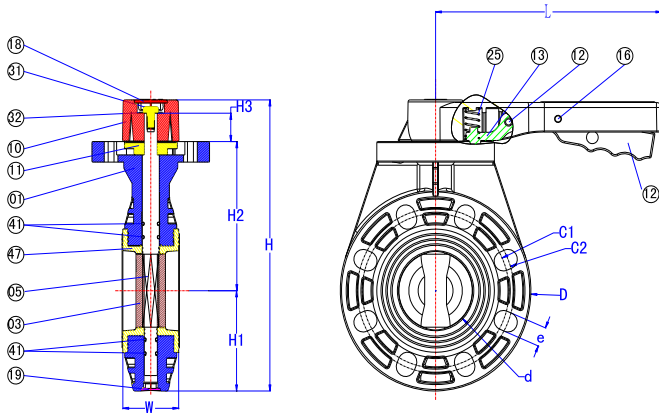
- 1) Improved PP disc to enhance the performance
- 2) Thickened body & seal to extend the service life
- 3) Materials meet drinking water standard
- 4) 100% pure virgin material, CaCO₃ free (Chalk)
- 5) UV resistant powder added
- 6) Can be assembled with Pneumatic/Electric Actuators

DESCRIPTION:

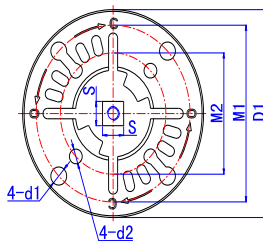
- 1) Material: PVC, CPVC, PP, PVDF
- 2) Size: 1½" - 8"; 63mm - 225mm ; DN50 - DN200
- 3) Standard: ANSI, DIN, JIS
- 4) Joint End: Flanges
- 5) Working Pressure: 150 PSI
- 6) Operating Temperature: PVC(0~55℃); CPVC & PP(0~95℃)
- 7) Valve body color : PVC(dark gray), CPVC(light gray), PP(light yellow)



SPECIFICATIONS:



ITEM	PART	MATERIAL	QTY
01	BODY	PVC / CPVC / PP / PVDF	1
03	DISC	PP	1
05	STEM	SS 304	1
10	HANDLE	ABS	1
11	STEM WASHER	PVC / CPVC / PP / PVDF	1
12	HANDLE LEVEL	PVC / CPVC / PP / PVDF	1
13	LOCKER PLATE	PVC / CPVC / PP / PVDF	1
16	SET PIN	ABS	2
18	CAP	ABS	1
19	BOTTOM CAP	PP	1
25	SPRING	SS 304	1
31	BOLT	SS 304	1
32	PAD	SS 304	1
41	ORING	EPDM / VITON	4
47	SEAL	EPDM / VITON	1



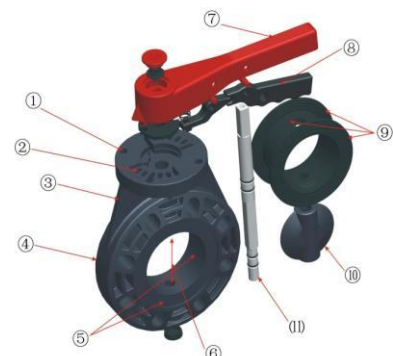
Unit: MM

SIZE	d	C1	C2	H	H1	H2	H3	D
1½" (40)	40.00	98.00	110.00	228.00	74.00	114.00	26.00	148.00
2" (50)	52.00	120.00	125.00	245.00	81.00	124.00	26.00	162.00
2½" (65)	66.00	140.00	145.00	259.00	89.50	129.00	26.00	179.00
3" (80)	78.50	150.00	160.00	283.00	97.50	145.00	26.00	195.00
4" (100)	104.00	175.00	190.50	313.00	112.50	160.00	26.00	225.00
5" (125)	127.00	210.00	216.00	348.00	127.50	175.00	30.00	255.00
6" (150)	151.00	240.00	241.00	375.00	140.00	190.00	30.00	280.00
8" (200)	200.00	290.00	298.00	434.00	172.50	219.50	30.00	340.00

SIZE	D1	M1	M2	d1	d2	S	W	L	n-e		operating torque (N·M)
									JIS	DIN/ANSI	
1½" (40)	105.00	70.00	50.00	8.50	6.50	13.90	34.00	231.00	4-19	12	
2" (50)	105.00	70.00	50.00	8.50	6.50	13.90	44.00	231.00	4-19	15	
2½" (65)	105.00	70.00	50.00	8.50	6.50	13.90	46.00	231.00	4-19	18	
3" (80)	120.00	102.00	70.00	10.50	8.50	13.90	57.00	231.00	8-19	20	
4" (100)	120.00	102.00	70.00	10.50	8.50	13.90	60.00	231.00	8-19	30	
5" (125)	120.00	102.00	70.00	10.50	8.50	16.90	66.00	280.00	8-23	42	
6" (150)	120.00	102.00	70.00	10.50	8.50	16.90	72.00	280.00	8-23	48	
8" (200)	120.00	102.00	70.00	10.50	8.50	21.90	82.00	280.00	12-23	80	

DESIGNS:

- ① Increase in pneumatic / electric operating platform to facilitate customer replacement screw hole
- ② Update the design with switching angle control, easy to remove rusty metal
- ③ Increase the height of the neck for easy installation
- ④ Valve designed for the whole circle, heavier weight, higher performance of force area to extend the service
- ⑤ Sealing surface is processed by CNC machines, reliable sealing
- ⑥ Through hole is processed via CNC machine, sealing performance is improved.
- ⑦ An attractive design with handle, widening the force area, to extend the service life is not easy to break
- ⑧ The grip change to plastic material, to eliminate the possibility of old rust and easy to operate
- ⑨ Ribs are added on the seal to enhance sealing performance.
- ⑩ Enhance the physical properties of modified PP for the gate
- ⑪ SS304 coarse steel shaft to ensure that high-pressure-resistant, will not be affected by a slight deformation of the sealing performance



Worm Geared Butterfly Valve

ADVANTAGES:

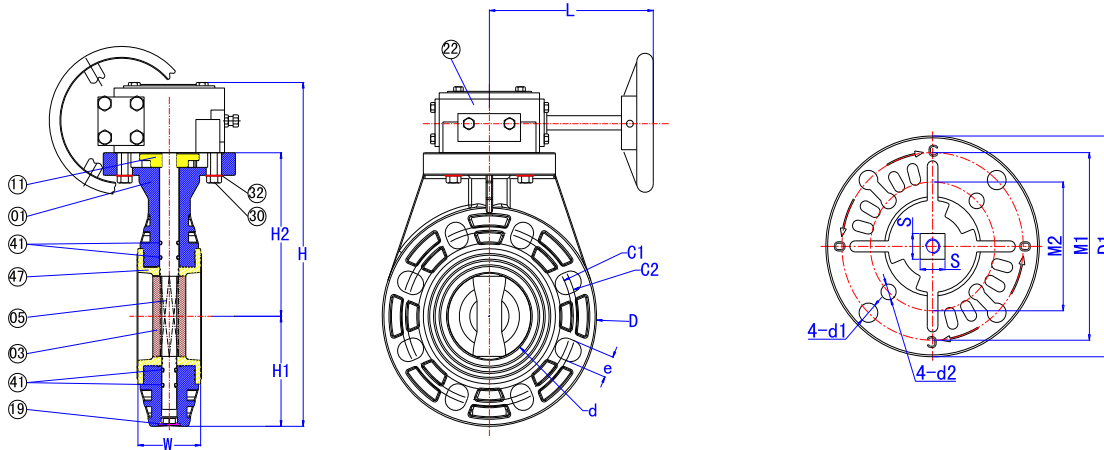
- 1) Improved PP disc to enhance the performance
- 2) Thickened body & seal to extend the service life
- 3) Materials meet drinking water standard
- 4) 100% pure virgin material, CaCO₃ free (Chalk)
- 5) UV resistant powder added
- 6) Can be assembled with Pneumatic/Electric Actuators

DESCRIPTION:

- 1) Material: PVC, CPVC, PP, PVDF
- 2) Size: 8" - 12"; 225mm - 315mm ; DN200 - DN300
- 3) Standard: ANSI, DIN, JIS
- 4) Joint End: Flanges
- 5) Working Pressure: 150 PSI
- 6) Operating Temperature: PVC(0~55°C); CPVC & PP(0~95°C)
- 7) Valve body color : PVC(dark gray), CPVC(light gray), PP(light yellow)



SPECIFICATIONS:



ITEM	PART	MATERIAL	QTY
01	BODY	PVC / CPVC / PP / PVDF	1
03	DISC	PP	1
05	STEM	SS 304	1
11	STEM WASHER	PVC / CPVC / PP / PVDF	1
19	BOTTOM CAP	PP	1
22	GEAR BOX	CARBON STEEL	1
30	BOLT	SS 304	4
32	PAD	SS 304	4
41	ORING	EPDM / VITON	4
47	SEAL	EPDM / VITON	1

Unit: MM

SIZE	d	C1	C2	H	H1	H2
8"(200)	200.00	290.00	298.00	434.00	172.50	219.50
10"(250)	251.00	350.00	362.00	537.00	205.00	257.00
12"(300)	290.00	400.00	431.50	628.50	242.50	302.00

SIZE	D	M1	M2	d1	d2	S	W	L	n-e		operating torque (N·M)
									JIS	DIN/ANSI	
8"(200)	340.00	102.00	70.00	10.50	8.50	21.90	82.00	199.00	12-23	8-23	80
10"(250)	410.00	125.00	102.00	12.50	10.50	26.90	92.00	199.00	12-25		180
12"(300)	485.00	125.00	102.00	12.50	10.50	26.90	98.00	250.00	16-25	12-25	220



XIAMEN SANIDENG PLASTICS INDUSTRY CO.,LTD

Electric Actuated Butterfly Valve

ADVANTAGES:

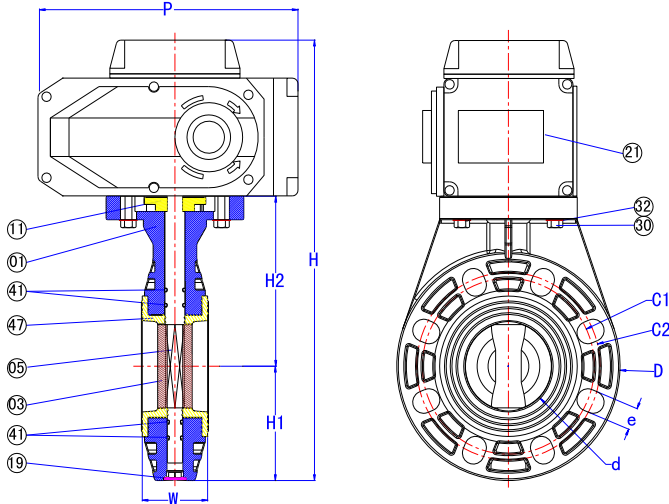
- 1) Plastic actuator body pass impaction & acid-base tests, also meets SGS
- 2) Valve position can be adjusted from 15 degree to 90 degree
- 3) Assembly of actuators and valves meets EN ISO 5211 standard
- 4) Improved PP disc to enhance the performance
- 5) Thickened body & seal to extend the service life
- 6) Materials meet drinking water standard
- 7) Valve body is with 100% pure virgin material, CaCO3 free (Chalk)
- 8) Valve body is added in UV resistant powder

DESCRIPTION:

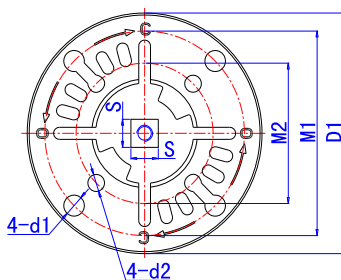
- 1) Material: PVC, CPVC, PP, PVDF
- 2) Size: 1½" - 12"; 50mm - 315mm ; DN40 - DN200
- 3) Standard: ANSI, DIN, JIS
- 4) Joint End: Flanges
- 5) Valve's Working Pressure: 150 PSI
- 6) Operating Temperature: PVC(0~55℃); CPVC & PP(0~95℃)
- 7) Valve body color : PVC(dark gray), CPVC(light gray), PP(light yellow)



SPECIFICATIONS:



ITEM	PART	MATERIAL	QTY
01	BODY	PVC / CPVC / PP / PVDF	1
03	DISC	PP	1
05	STEM	SS 304	1
11	STEM WASHER	PVC / CPVC / PP / PVDF	1
19	BOTTOM CAP	PP	1
20	ACTUATOR	-	1
30	BOLT	SS 304	4
32	PAD	SS 304	4
41	ORING	EPDM / VITON	4
47	SEAL	EPDM / VITON	1



Unit: MM

SIZE	d	C1	C2	H	H1	H2	D
1½" (40)	40.00	98.00	110.00	279.00	74.00	114.00	148.00
2" (50)	52.00	120.00	125.00	296.00	81.00	124.00	162.00
2½" (65)	66.00	140.00	145.00	309.50	89.50	129.00	179.00
3" (80)	78.50	150.00	160.00	360.50	97.50	145.00	195.00
4" (100)	104.00	175.00	190.50	391.00	112.50	160.00	225.00
5" (125)	127.00	210.00	216.00	421.00	127.50	175.00	255.00
6" (150)	151.00	240.00	241.00	448.00	140.00	190.00	280.00
8" (200)	200.00	290.00	298.00	537.00	172.50	219.50	340.00
10" (250)	251.00	350.00	362.00	609.00	205.00	257.00	410.00
12" (300)	290.00	400.00	431.50	722.00	242.50	302.00	485.00

SIZE	D1	M1	M2	d1	d2	S	W	P	n-e		operating torque (N·M)
									JIS	DIN/ANSI	
1½" (40)	105.00	70.00	50.00	8.50	6.50	13.90	34.00	180.00	4-19		12
2" (50)	105.00	70.00	50.00	8.50	6.50	13.90	44.00	180.00	4-19		15
2½" (65)	105.00	70.00	50.00	8.50	6.50	13.90	46.00	180.00	4-19		18
3" (80)	120.00	102.00	70.00	10.50	8.50	13.90	57.00	212.00	8-19		20
4" (100)	120.00	102.00	70.00	10.50	8.50	13.90	60.00	212.00	8-19		30
5" (125)	120.00	102.00	70.00	10.50	8.50	16.90	66.00	212.00	8-23		42
6" (150)	120.00	102.00	70.00	10.50	8.50	16.90	72.00	212.00	8-23		48
8" (200)	120.00	102.00	70.00	10.50	8.50	21.90	82.00	260.00	12-23	8-23	80
10" (250)	125.00	125.00	102.00	12.50	10.50	26.90	92.00	260.00	12-25		180
12" (300)	125.00	125.00	102.00	12.50	10.50	26.90	98.00	305.00	16-25	12-25	220

Pneumatic Actuated Butterfly Valve

ADVANTAGES:

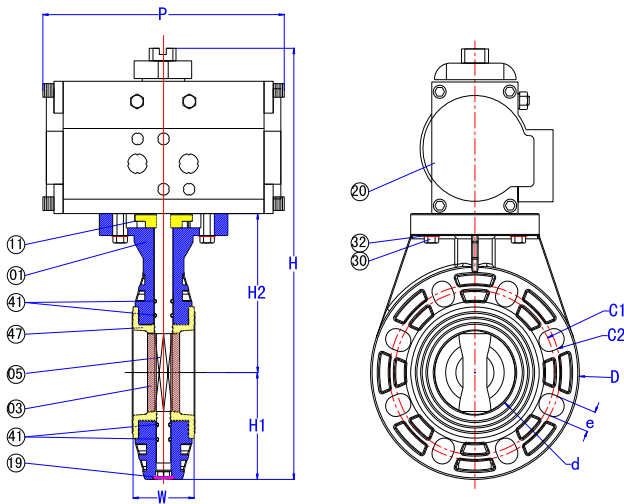
- 1) Improved PP disc to enhance the performance
- 2) Thickened body & seal to extend the service life
- 3) Materials meet drinking water standard
- 4) 100% pure virgin material, CaCO₃ free (Chalk)
- 5) UV resistant powder added

DESCRIPTION:

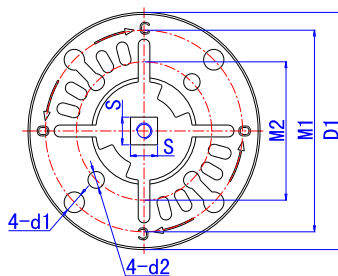
- 1) Material: PVC, CPVC, PP, PVDF
- 2) Size: 1½" - 12"; 50mm - 315mm ; DN40 - DN200
- 3) Standard: ANSI, DIN, JIS
- 4) Joint End: Flanges
- 5) Valve's Working Pressure: 150 PSI
- 6) Actuator Lowest Air Pressure: 45PSI; Max.Operating Pressure: 120PSI
- 7) Operating Temperature: PVC(0~55℃); CPVC & PP(0~95℃)
- 8) Valve body color : PVC(dark gray), CPVC(light gray), PP(light yellow)



SPECIFICATIONS:



ITEM	PART	MATERIAL	QTY
01	BODY	PVC / CPVC / PP / PVDF	1
03	DISC	PP	1
05	STEM	SS 304	1
11	STEM WASHER	PVC / CPVC / PP / PVDF	1
19	BOTTOM CAP	PP	1
20	ACTUATOR	ALLOY	1
30	BOLT	SS 304	4
32	PAD	SS 304	4
41	ORING	EPDM / VITON	4
47	SEAL	EPDM / VITON	1



Unit: MM

SIZE	d	C1	C2	H	H1	H2	D
1½" (40)	40.00	98.00	110.00	298.00	74.00	114.00	148.00
2" (50)	52.00	120.00	125.00	315.00	81.00	124.00	162.00
2½" (65)	66.00	140.00	145.00	346.00	89.50	129.00	179.00
3" (80)	78.50	150.00	160.00	370.00	97.50	145.00	195.00
4" (100)	104.00	175.00	190.50	413.00	112.50	160.00	225.00
5" (125)	127.00	210.00	216.00	443.00	127.50	175.00	255.00
6" (150)	151.00	240.00	241.00	482.50	140.00	190.00	280.00
8" (200)	200.00	290.00	298.00	568.00	172.50	219.50	340.00
10" (250)	251.00	350.00	362.00	673.00	205.00	257.00	410.00
12" (300)	290.00	400.00	431.50	776.00	242.50	302.00	485.00

SIZE	D1	M1	M2	d1	d2	S	W	P	n-e		operating torque (N·M)
									JIS	DIN/ANSI	
1½" (40)	105.00	70.00	50.00	8.50	6.50	13.90	34.00	168.00	4-19		12
2" (50)	105.00	70.00	50.00	8.50	6.50	13.90	44.00	168.00	4-19		15
2½" (65)	105.00	70.00	50.00	8.50	6.50	13.90	46.00	219.00	4-19		18
3" (80)	120.00	102.00	70.00	10.50	8.50	13.90	57.00	219.00	8-19		20
4" (100)	120.00	102.00	70.00	10.50	8.50	13.90	60.00	249.00	8-19		30
5" (125)	120.00	102.00	70.00	10.50	8.50	16.90	66.00	249.00	8-23		42
6" (150)	120.00	102.00	70.00	10.50	8.50	16.90	72.00	274.00	8-23		48
8" (200)	120.00	102.00	70.00	10.50	8.50	21.90	82.00	315.00	12-23	8-23	80
10" (250)	125.00	125.00	102.00	12.50	10.50	26.90	92.00	417.00	12-25		180
12" (300)	125.00	125.00	102.00	12.50	10.50	26.90	98.00	452.00	16-25	12-25	220

New Check Valve

ADVANTAGES:

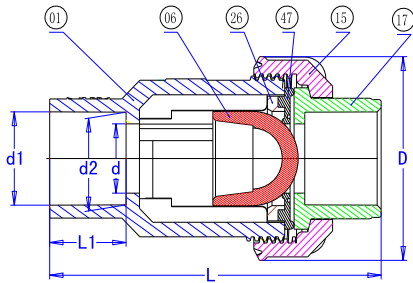
- 1) New CUP shape ball can stop water by just 0.5kg pressure
- 2) Materials meet drinking water standard
- 3) 100% pure virgin material, CaCO₃ free (Chalk)
- 4) UV resistant powder added
- 5) Can be assembled vertically or horizontally

DESCRIPTION:

- 1) Material: PVC, CPVC, PP
- 2) Size: 1/2" - 2"; 20mm - 63mm ; DN15 - DN50
- 3) Standard: ANSI, DIN, JIS, CNS
- 4) Joint End: Socket or Threaded(NPT,PT,BSPF), Fusion, Welding
- 5) Working Pressure: 150 PSI
- 6) Operating Temperature: PVC(0~55℃); CPVC & PP(0~95℃)
- 7) Valve body color : PVC(dark gray/white), CPVC(light gray), PP(light yellow)

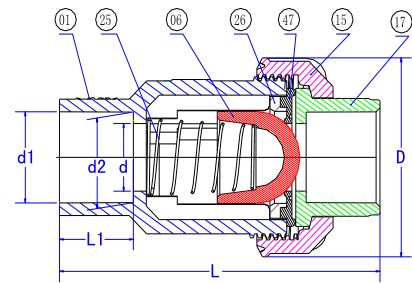


SPECIFICATIONS:



Normal Type

ITEM	PART	MATERIAL	QTY
01	BODY	PVC / CPVC / PP	1
06	BALL	PVC / CPVC / PP	1
15	UNION NUT	PVC / CPVC / PP	1
17	UNION END	PVC / CPVC / PP	1
26	BUCKLE	PVC / CPVC / PP	1
47	SEAL	EPDM / VITON	1



Spring Type

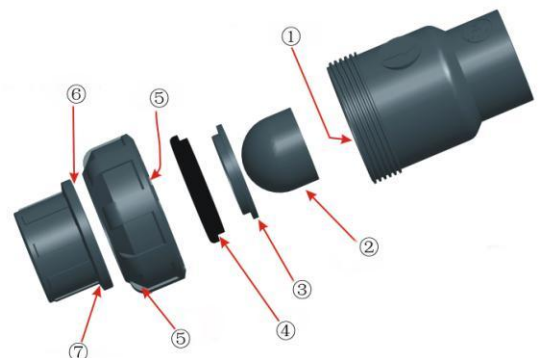
ITEM	PART	MATERIAL	QTY
01	BODY	PVC / CPVC / PP	1
06	BALL	PVC / CPVC / PP	1
15	UNION NUT	PVC / CPVC / PP	1
17	UNION END	PVC / CPVC / PP	1
25	SPRING	SS 304	1
26	BUCKLE	PVC / CPVC / PP	1
47	SEAL	EPDM / VITON	1

Unit: MM

SIZE	d	d1				d2				D	L	L1
		ANSI	DIN	JIS	CNS	ANSI	DIN	JIS	CNS			
1/2"(15)	15	21.54	20.30	22.40	22.40	21.23	20.10	21.73	21.90	54.00	90.00	22.30
3/4"(20)	20	26.87	25.30	26.45	26.40	26.57	25.10	25.69	25.90	63.00	105.50	25.50
1"(25)	25	33.65	32.30	32.55	34.50	33.27	32.10	31.70	33.90	73.50	124.00	28.60
1 1/4"(32)	32	42.42	40.30	38.60	42.50	42.04	40.10	37.65	41.90	84.50	139.00	32.00
1 1/2"(40)	40	48.56	50.30	48.70	48.60	48.11	50.10	47.74	47.90	98.00	149.50	35.00
2"(50)	50	60.63	63.30	60.80	60.60	60.17	63.10	59.78	59.90	119.00	168.50	38.00

DESIGNS:

- ① In the ribs from three to six, making better diversion
- ② From the platform to the half-ball sealing, more reliable performance, sealing pressure levels increased (0.5kg-10kg), and it can easy to install by horizontal or vertical.
- ③ Seat is designed to fix the sealing performance.
- ④ Thickening Oring, more toughness, sealing better
- ⑤ Increase the nut-solid, thread taper and laps, improved pressure-resistant
- ⑥ Union-end plane after turning to ensure a more reliable flatness
- ⑦ Union end from right-angle to slope increase in a round protruding rib to increase the intensity





XIAMEN SANIDENG PLASTICS INDUSTRY CO.,LTD

Flanged New Check Valve

ADVANTAGES:

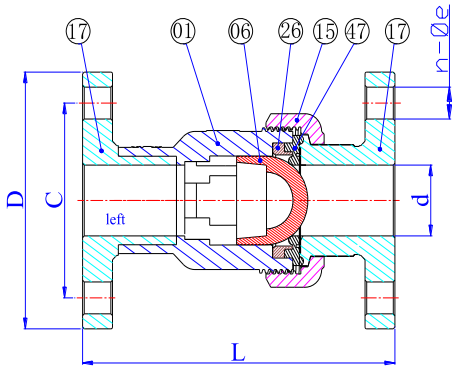
- 1) New CUP shape ball can stop water by just 0.5kg pressure
- 2) Materials meet drinking water standard
- 3) 100% pure virgin material, CaCO3 free (Chalk)
- 4) UV resistant powder added
- 5) Can be assembled vertically or horizontally

DESCRIPTION:

- 1) Material: PVC, CPVC, PP
- 2) Size: 1/2" - 2"; 20mm - 63mm ; DN15 - DN50
- 3) Standard: ANSI, DIN, JIS
- 4) Joint End: Flanges
- 5) Working Pressure: 150 PSI
- 6) Operating Temperature: PVC(0~55°C); CPVC & PP(0~95°C)
- 7) Valve body color : PVC(dark gray), CPVC(light gray), PP(light yellow)

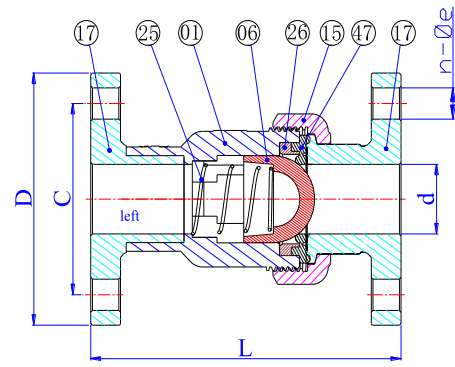


SPECIFICATIONS:



Normal Type

ITEM	PART	MATERIAL	QTY
01	BODY	PVC / CPVC / PP	1
06	BALL	PVC / CPVC / PP	1
15	UNION NUT	PVC / CPVC / PP	1
17	FLANGE	PVC / CPVC / PP	1
26	BUCKLE	PVC / CPVC / PP	1
47	SEAL	EPDM / VITON	1



Spring Type

ITEM	PART	MATERIAL	QTY
01	BODY	PVC / CPVC / PP	1
06	BALL	PVC / CPVC / PP	1
15	UNION NUT	PVC / CPVC / PP	1
17	FLANGE	PVC / CPVC / PP	1
25	SPRING	SS 304	1
26	BUCKLE	PVC / CPVC / PP	1
47	SEAL	EPDM / VITON	1

UNIT: MM

SIZE	d	C			D	L	n-φe
		ANSI	JIS	DIN			
1/2"(15)	15	60.50	70.00	65.00	95.00	125.00	4-15
3/4"(20)	20	70.00	75.00	75.00	105.00	142.50	4-15
1"(25)	25	79.20	90.00	85.00	125.00	163.00	4-19
1 1/4"(32)	32	89.00	100.00	100.00	140.00	178.00	4-19
1 1/2"(40)	40	98.00	105.00	110.00	150.00	192.50	4-19
2"(50)	50	121.00	120.00	125.00	165.00	215.50	4-19

Ball Check Valve

ADVANTAGES:

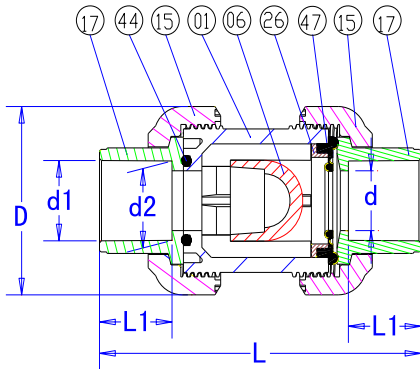
- 1) New CUP shape ball can stop water by just 0.5kg pressure
- 2) Materials meet drinking water standard
- 3) 100% pure virgin material, CaCO3 free (Chalk)
- 4) UV resistant powder added
- 5) Can be assembled vertically or horizontally

DESCRIPTION:

- 1) Material: PVC, CPVC, PP, Clear PVC
- 2) Size: 1/2" - 2"; 20mm - 63mm ; DN15 - DN50
- 3) Standard: ANSI, DIN, JIS, CNS
- 4) Joint End: Socket or Threaded(NPT,PT,BSPF), Fusion, Welding
- 5) Working Pressure: 150 PSI
- 6) Operating Temperature: PVC(0~55℃); CPVC & PP(0~95℃)
- 7) Valve body color : PVC(dark gray), CPVC(light gray), PP(light yellow), Clear PVC(transperance)



SPECIFICATIONS:

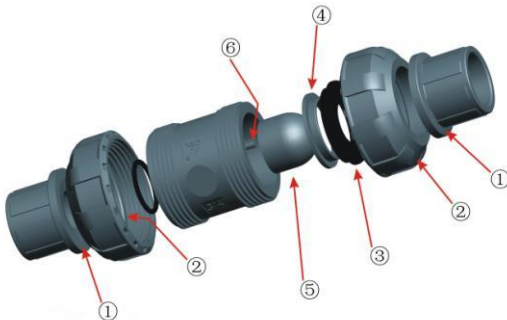


ITEM	PART	MATERIAL	QTY
01	BODY	PVC / CPVC / PP / CLEAR PVC	1
06	BALL	PVC / CPVC / PP / CLEAR PVC	1
15	UNION NUT	PVC / CPVC / PP / CLEAR PVC	2
17	UNION END	PVC / CPVC / PP / CLEAR PVC	2
26	BUCKLE	PVC / CPVC / PP / CLEAR PVC	1
44	ORING	EPDM / VITON	1
47	SEAL	EPDM / VITON	1

Unit: MM

SIZE	d	d1				d2				D	L	L1
		ANSI	DIN	JIS	CNS	ANSI	DIN	JIS	CNS			
1/2"(15)	15	21.54	20.30	22.40	22.40	21.23	20.10	21.73	21.90	54.00	96.00	22.30
3/4"(20)	20	26.87	25.30	26.45	26.40	26.57	25.10	25.69	25.90	63.00	112.00	25.50
1"(25)	25	33.65	32.30	32.55	34.50	33.27	32.10	31.70	33.90	73.50	129.00	28.60
1 1/4"(32)	32	42.42	40.30	38.60	42.50	42.04	40.10	37.65	41.90	84.50	146.00	32.00
1 1/2"(40)	40	48.56	50.30	48.70	48.60	48.11	50.10	47.74	47.90	98.00	158.50	35.00
2"(50)	50	60.63	63.30	60.80	60.60	60.17	63.10	59.78	59.90	119.00	167.00	38.00

DESIGNS:



- ① Union-end plane after turning to ensure a more reliable flatness
- ② Increase the nut-solid, thread taper and laps, improved pressure-resistant
- ③ Thickening Oring, more toughness, sealing better
- ④ Seat is designed to fix the sealing performance
- ⑤ From the platform to the half-ball sealing, more reliable performance, sealing pressure levels increased (0.5kg-10kg), and it can easy to install by horizontal or vertical
- ⑥ In the ribs from three to six, making better diversion

Flanged Ball Check Valve

ADVANTAGES:

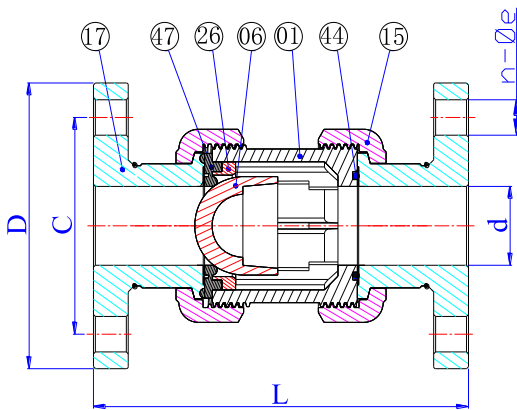
- 1) New CUP shape ball can stop water by just 0.5kg pressure
- 2) Materials meet drinking water standard
- 3) 100% pure virgin material, CaCO3 free (Chalk)
- 4) UV resistant powder added
- 5) Can be assembled vertically or horizontally

DESCRIPTION:

- 1) Material: PVC, CPVC, PP
- 2) Size: 1/2" - 2"; 20mm - 63mm ; DN15 - DN50
- 3) Standard: ANSI, DIN, JIS, CNS
- 4) Joint End: Flanges
- 5) Working Pressure: 150 PSI
- 6) Operating Temperature: PVC(0~55℃); CPVC & PP(0~95℃)
- 7) Valve body color : PVC(dark gray), CPVC(light gray), PP(light yellow)



SPECIFICATIONS:



ITEM	PART	MATERIAL	QTY
01	BODY	PVC / CPVC / PP	1
06	BALL	PVC / CPVC / PP	1
15	UNION NUT	PVC / CPVC / PP	2
17	FLANGE	PVC / CPVC / PP	2
26	BUCKLE	PVC / CPVC / PP	1
44	ORING	EPDM / VITON	1
47	SEAL	EPDM / VITON	1

Unit: MM

SIZE	d	D	C			L	n-φe
			ANSI	JIS	DIN		
1/2"(15)	15	95.00	60.50	70.00	65.00	130.80	4-15
3/4"(20)	20	105.00	70.00	75.00	75.00	150.00	4-15
1"(25)	25	125.00	79.20	90.00	85.00	166.50	4-19
1¼"(32)	32	140.00	89.00	100.00	100.00	183.50	4-19
1½"(40)	40	150.00	98.00	105.00	110.00	200.00	4-19
2"(50)	50	165.00	121.00	120.00	125.00	222.50	4-19



Swing Check Valve

ADVANTAGES:

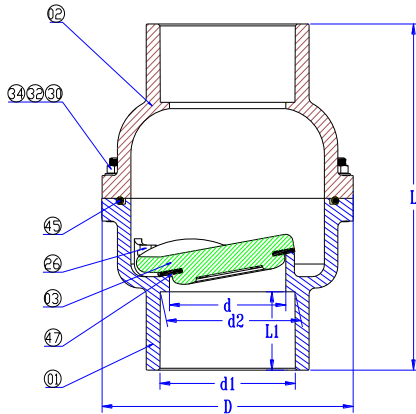
- 1) Materials meet drinking water standard
- 2) 100% pure virgin material, CaCO₃ free (Chalk)
- 3) UV resistant powder added
- 4) Can be assembled vertically or horizontally

DESCRIPTION:

- 1) Material: PVC, CPVC
- 2) Size: 2½" - 6"; 75mm - 160mm ; DN65 - DN150
- 3) Standard: ANSI, DIN, JIS, CNS
- 4) Joint End: Socket or Threaded(NPT,PT,BSPF)
- 5) Working Pressure: 150 PSI
- 6) Operating Temperature: PVC(0~55℃); CPVC(0~95℃)
- 7) Valve body color : PVC(dark gray), CPVC(light gray),



SPECIFICATIONS:

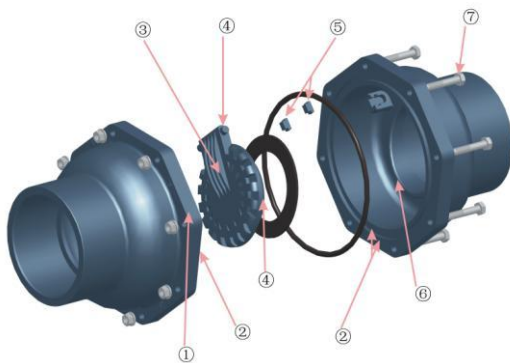


ITEM	PART	MATERIAL	QTY
01	LOWER BODY	PVC / CPVC	1
02	UPPER BODY	PVC / CPVC	1
03	VALVE CLACK	PVC / CPVC	1
26	BUCKLE	PVC / CPVC	2
30	BOLT	SS 304	8 / 12
32	PAD	SS 304	8 / 12
34	NUT	SS 304	8 / 12
45	ORING	EPDM / VITON	1
47	SEAL	EPDM / VITON	1

Unit: MM

SIZE	d	d1				d2				D	L	L1
		ANSI	DIN	JIS	CNS	ANSI	DIN	JIS	CNS			
2½" (65)	63	73.38	75.30	76.60	76.70	72.85	75.10	75.87	75.90	168.00	212.00	49.50
3" (80)	75	89.31	90.40	89.60	89.70	88.70	90.10	88.83	88.90	172.00	230.00	53.00
4" (100)	95	114.76	110.40	114.70	115.00	114.10	110.10	113.98	113.80	205.00	274.00	62.00
6" (150)	150	168.83	160.50	166.20	166.20	168.00	160.20	165.30	164.60	290.00	390.00	86.50

DESIGNS:



- ① In particular increase the thickness at the end of body for impact resistance strength when suddenly open
- ② Two plane and the Oring grooves are by machining, to ensure the combination of surface formation, better sealing
- ③ Improved design on valve rib, at the bottom to reduce weight and greatly increased due to water hammer valve impact resistance and strenght
- ④ The abolition of the metal shaft, all to switch to all-in-one plastic structure, increased corrosion resistance
- ⑤ Buckle fixed valve petal, the elimination of the original way, replacing the two columns of fixed processing erros, and increase the opening angle to reduce the flow resistance
- ⑥ Sealing surface design is titled 10 degrees, so that it also can use at the level of the installation
- ⑦ Lock 8 screws the upper and lower body more closely and firmly, under the water hammer, it is difficult deformation, better sealing



Flanged Swing Check Valve

ADVANTAGES:

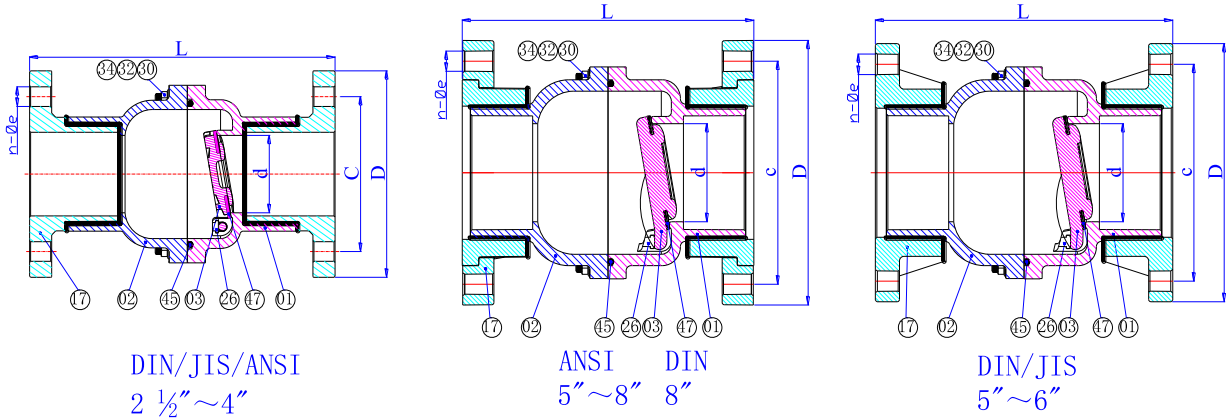
- 1) Materials meet drinking water standard
- 2) 100% pure virgin material, CaCO3 free (Chalk)
- 3) UV resistant powder added
- 4) Can be assembled vertically or horizontally

DESCRIPTION:

- 1) Material: PVC, CPVC
- 2) Size: 2½" - 8"; 75mm - 225mm ; DN65 - DN200
- 3) Standard: ANSI, DIN, JIS
- 4) Joint End: Flanges
- 5) Working Pressure: 150 PSI
- 6) Operating Temperature: PVC(0~55°C); CPVC(0~95°C)
- 7) Valve body color : PVC(dark gray), CPVC(light gray),



SPECIFICATIONS:



ITEM	PART	MATERIAL	QTY
01	LOWER BODY	PVC / CPVC	1
02	UPPER BODY	PVC / CPVC	1
03	VALVE CLACK	PVC / CPVC	1
17	FLANG	PVC / CPVC	2
26	BUCKLE	PVC / CPVC	2
30	BOLT	SS 304	8 / 12
32	PAD	SS 304	8 / 12
34	NUT	SS 304	8 / 12
45	ORING	EPDM / VITON	1
47	SEAL	EPDM / VITON	1

Unit: MM

SIZE	d	D		L		C			n-φe	
		ANSI	DIN/JIS	ANSI	DIN/JIS	ANSI	JIS	DIN	ANSI	DIN/JIS
2½"(65)	63.00	182.00		280.00		140.00	140.00	145.00	4-19	
3"(80)	75.00	200.00		304.00		150.00	152.00	160.00	8-19	
4"(100)	95.00	228.00		356.00		175.00	191.00	180.00	8-19	
5"(125)	95.00	256.00	250.00	290.00	296.00	216.00	210.00	210.00	8-22	8-23
6"(150)	150.00	285.00	285.00	566.00	674.00	241.00	240.00	240.00	8-22	8-23
8"(200)	150.00	343.00		298.00		298.00			8-23	



XIAMEN SANIDENG PLASTICS INDUSTRY CO.,LTD

Foot Valve

ADVANTAGES:

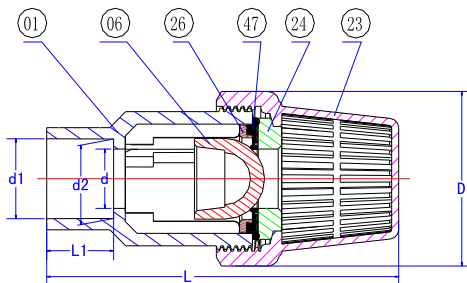
- 1) New CUP shape ball can stop water by just 0.5kg pressure
- 2) Materials meet drinking water standard
- 3) 100% pure virgin material, CaCO3 free (Chalk)
- 4) UV resistant powder added
- 5) Can be assembled vertically or horizontally

DESCRIPTION:

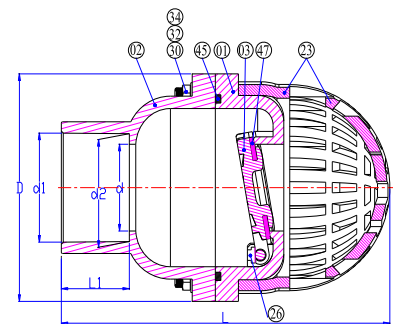
- 1) Material: PVC, CPVC
- 2) Size: 1/2" - 6"; 20mm - 160mm ; DN15 - DN150
- 3) Standard: ANSI, DIN, JIS, CNS
- 4) Joint End: Socket or Threaded(NPT,PT,BSPF)
- 5) Working Pressure: 150 PSI
- 6) Operating Temperature: PVC(0~55℃); CPVC(0~95℃)
- 7) Valve body color : PVC(dark gray), CPVC(light gray),



SPECIFICATIONS:



1/2"(15) - 2"(50)



2 1/2"(65) - 6"(150)

ITEM	PART	MATERIAL	QTY
01	BODY	PVC / CPVC	1
06	BALL	PVC / CPVC	1
23	BONNET	PVC / CPVC	1
24	PAD	PVC / CPVC	1
26	BUCKLE	PVC / CPVC	1
47	SEAL	EPDM / VITON	1

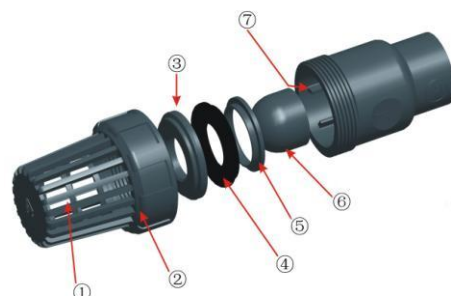
ITEM	PART	MATERIAL	QTY
01	LOWER BODY	PVC / CPVC	1
02	UPPER BODY	PVC / CPVC	1
03	VALVE CLACK	PVC / CPVC	1
23	BONNET	PVC / CPVC	1
26	BUCKLE	PVC / CPVC	2
30	BOLT	SS 304	8 / 12
32	PAD	SS 304	8 / 12
34	NUT	SS 304	8 / 12
45	ORING	EPDM / VITON	1
47	SEAL	EPDM / VITON	1

Unit: MM

SIZE	d	d1				d2				D	L	L1
		ANSI	DIN	JIS	CNS	ANSI	DIN	JIS	CNS			
1/2"(15)	15	21.54	20.30	22.40	22.40	21.23	20.10	21.73	21.90	54.00	109.00	22.30
3/4"(20)	20	26.87	25.30	26.45	26.40	26.57	25.10	25.69	25.90	63.00	137.50	25.50
1"(25)	25	33.65	32.30	32.55	34.50	33.27	32.10	31.70	33.90	73.50	153.00	28.60
1 1/4"(32)	32	42.42	40.30	38.60	42.50	42.04	40.10	37.65	41.90	84.50	181.50	32.00
1 1/2"(40)	40	48.56	50.30	48.70	48.60	48.11	50.10	47.74	47.90	98.00	204.00	35.00
2"(50)	50	60.63	63.30	60.80	60.60	60.17	63.10	59.78	59.90	119.00	239.00	38.00
2 1/2"(65)	65	73.38	75.30	76.60	76.70	72.85	75.10	75.68	75.90	165.00	235.50	47.00
3"(80)	75	89.31	90.44	89.60	89.70	88.70	89.96	88.55	88.90	172.00	256.00	53.00
4"(100)	95	114.76	110.52	114.70	115.00	114.10	109.98	113.60	113.80	205.00	321.50	62.00
6"(150)	150	168.83	160.50	166.00	166.20	168.00	160.20	164.63	164.60	290.00	445.00	86.50

DESIGNS:

- ① Bonnet can prevent massive objects entering into foot valve.
- ② Increase the nut-solid, thread taper and laps, improved pressure resistant
- ③ Seat is designed to fix the sealing performance.
- ④ Thickening Oring, more toughness, sealing better
- ⑤ Seat is designed to fix the seal
- ⑥ From the platform to half-ball sealing, more reliable performance, sealing pressure levels increased (0.5kg-10kg), and it can easy to install by horizontal or vertical
- ⑦ In the ribs from three to six, making better diversion





Flanged Single Union Foot Valve

ADVANTAGES:

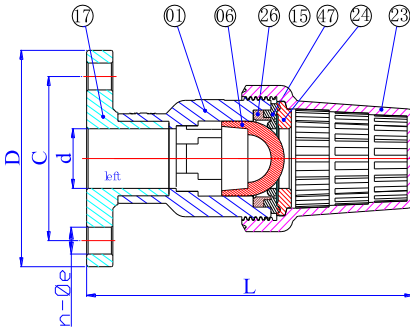
- 1) New CUP shape ball can stop water by just 0.5kg pressure
- 2) Materials meet drinking water standard
- 3) 100% pure virgin material, CaCO3 free (Chalk)
- 4) UV resistant powder added
- 5) Can be assembled vertically or horizontally

DESCRIPTION:

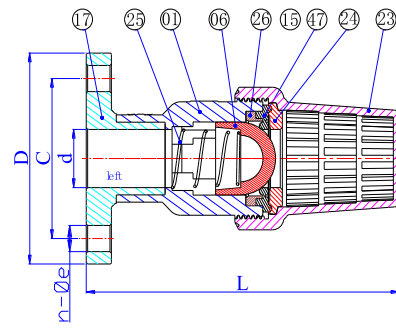
- 1) Material: PVC, CPVC
- 2) Size: 1/2" - 2"; 20mm - 63mm ; DN15 - DN50
- 3) Standard: ANSI, DIN, JIS
- 4) Joint End: Flange
- 5) Working Pressure: 150 PSI
- 6) Operating Temperature: PVC(0~55℃); CPVC(0~95℃)
- 7) Valve body color : PVC(dark gray), CPVC(light gray),



SPECIFICATIONS:



Normal Type



Spring Type

ITEM	PART	MATERIAL	QTY
01	BODY	PVC / CPVC	1
06	BALL	PVC / CPVC	1
15	UNION NUT	PVC / CPVC	1
17	UNION END	PVC / CPVC	1
23	BONNET	PVC / CPVC	1
24	PAD	PVC / CPVC	1
26	BUCKLE	PVC / CPVC	1
47	SEAL	EPDM / VITON	1

ITEM	PART	MATERIAL	QTY
01	BODY	PVC / CPVC	1
06	BALL	PVC / CPVC	1
15	UNION NUT	PVC / CPVC	1
17	UNION END	PVC / CPVC	1
23	BONNET	PVC / CPVC	1
24	PAD	PVC / CPVC	1
25	SPRING	SS 304	1
26	BUCKLE	PVC / CPVC	1
47	SEAL	EPDM / VITON	1

Unit: MM

SIZE	d	C			D	L	n-φe
		ANSI	JIS	DIN			
1/2"(15)	15	60.50	70.00	65.00	95.00	126.40	4-15
3/4"(20)	20	70.00	75.00	75.00	105.00	155.00	4-15
1"(25)	25	79.20	90.00	85.00	125.00	172.00	4-19
1¼"(32)	32	89.00	100.00	100.00	140.00	201.50	4-19
1½"(40)	40	98.00	105.00	110.00	150.00	226.00	4-19
2"(50)	50	121.00	120.00	125.00	165.00	263.00	4-19



Flanged True Union Foot Valve

ADVANTAGES:

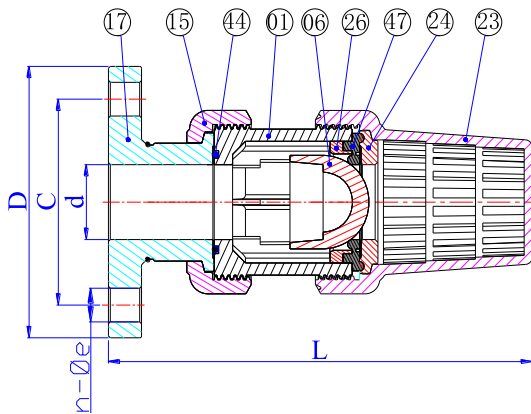
- 1) New CUP shape ball can stop water by just 0.5kg pressure
- 2) Materials meet drinking water standard
- 3) 100% pure virgin material, CaCO3 free (Chalk)
- 4) UV resistant powder added
- 5) Can be assembled vertically or horizontally

DESCRIPTION:

- 1) Material: PVC, CPVC
- 2) Size: 1/2" - 2"; 20mm - 63mm ; DN15 - DN50
- 3) Standard: ANSI, DIN, JIS
- 4) Joint End: Flange
- 5) Working Pressure: 150 PSI
- 6) Operating Temperature: PVC(0~55℃); CPVC(0~95℃)
- 7) Valve body color : PVC(dark gray), CPVC(light gray),



SPECIFICATIONS:



ITEM	PART	MATERIAL	QTY
01	BODY	PVC / CPVC	1
06	BALL	PVC / CPVC	1
15	UNION NUT	PVC / CPVC	1
17	FLANG	PVC / CPVC	1
23	BONNET	PVC / CPVC	1
24	PAD	PVC / CPVC	1
26	BUCKLE	PVC / CPVC	1
44	ORING	EPDM / VITON	1
47	SEAL	EPDM / VITON	1

Unit: MM

SIZE	d	D	C			L	n-φe
			ANSI	JIS	DIN		
1/2"(15)	15	95.00	60.50	70.00	65.00	132.00	4-15
3/4"(20)	20	105.00	70.00	75.00	75.00	162.50	4-15
1"(25)	25	125.00	79.20	90.00	85.00	175.50	4-19
1 1/4"(32)	32	140.00	89.00	100.00	100.00	207.00	4-19
1 1/2"(40)	40	150.00	98.00	105.00	110.00	233.50	4-19
2"(50)	50	165.00	121.00	120.00	125.00	270.00	4-19



Flanged Swing Foot Valve

ADVANTAGES:

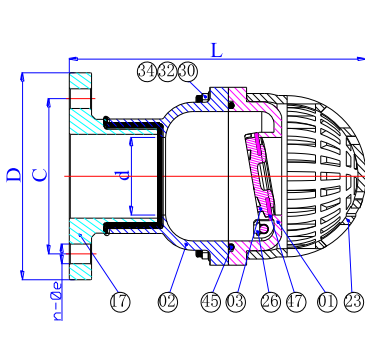
- 1) Materials meet drinking water standard
- 2) 100% pure virgin material, CaCO3 free (Chalk)
- 3) UV resistant powder added
- 4) Can be assembled vertically or horizontally

DESCRIPTION:

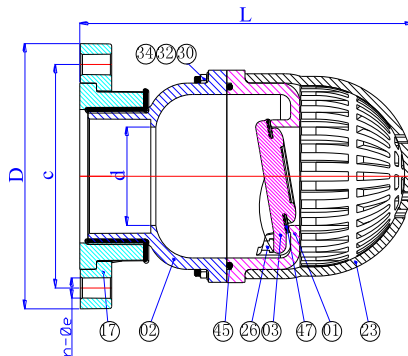
- 1) Material: PVC, CPVC
- 2) Size: 2½" - 8"; 75mm - 225mm ; DN65 - DN200
- 3) Standard: ANSI, DIN, JIS
- 4) Joint End: Flange
- 5) Working Pressure: 150 PSI
- 6) Operating Temperature: PVC(0~55℃); CPVC(0~95℃)
- 7) Valve body color : PVC(dark gray), CPVC(light gray),



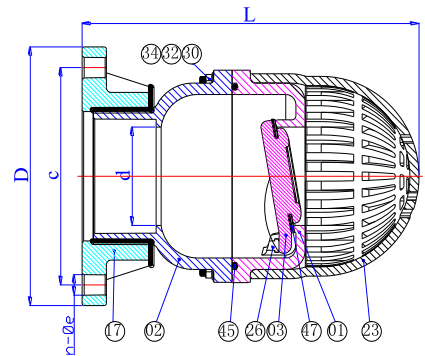
SPECIFICATIONS:



DIN/JIS/ANSI
2 ½"~4"



ANSI DIN
5"~8" 8"



DIN/JIS
5"~6"

ITEM	PART	MATERIAL	QTY
01	LOWER BODY	PVC / CPVC	1
02	UPPER BODY	PVC / CPVC	1
03	VALVE CLACK	PVC / CPVC	1
17	FLANGE	PVC / CPVC	1
26	BUCKLE	PVC / CPVC	2
30	BOLT	SS 304	8 / 12
32	PAD	SS 304	8 / 12
34	NUT	SS 304	8 / 12
45	ORING	EPDM / VITON	1
47	SEAL	EPDM / VITON	1

Unit: MM

SIZE	d	D		L		C			n-φe	
		ANSI	DIN/JIS	ANSI	DIN/JIS	ANSI	JIS	DIN	ANSI	DIN/JIS
2½"(65)	63.00	182.00		273.50		140.00	140.00	145.00	4-19	
3"(80)	75.00	200.00		293.00		150.00	152.00	160.00	8-19	
4"(100)	95.00	228.00		362.50		175.00	191.00	180.00	8-19	
5"(125)	95.00	256.00	250.00	329.50	332.50	216.00	210.00	210.00	8-22	8-23
6"(150)	150.00	285.00	285.00	533.00	587.00	241.00	240.00	240.00	8-22	8-23
8"(200)	150.00	343.00		460.00		298.00			8-23	

Diaphragm Valve Socket Type

ADVANTAGES:

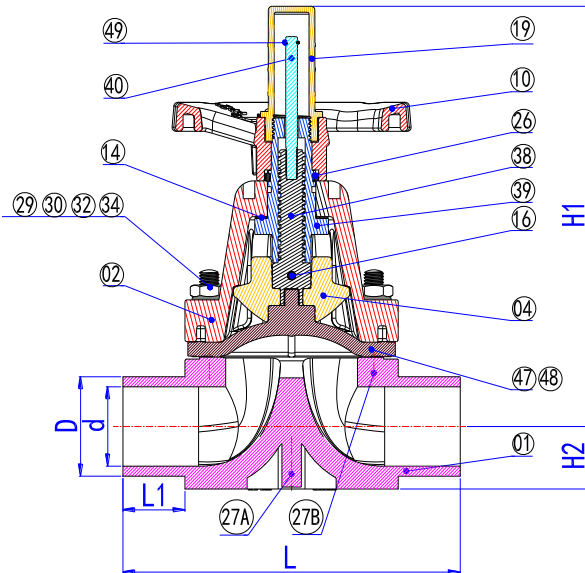
- 1) Materials meet drinking water standard
- 2) Improved designs and performance
- 3) 100% pure virgin material, CaCO₃ free (Chalk)
- 4) UV resistant powder added
- 5) Clear body is available to check working status
- 6) Diaphragm is available in EPDM, PTFE & VITON

DESCRIPTION:

- 1) Material: PVC, CPVC, PP, Clear PVC, PVDF
- 2) Size: 1/2" - 4"; 20mm - 110mm; DN15 - DN100
- 3) Standard: ANSI, DIN, JIS
- 4) Joint End: Socket
- 5) Working Pressure: 150 PSI
- 6) Operating Temperature: PVC(0~55℃); CPVC & PP(0~95℃)
- 7) Valve body color : PVC(dark gray), CPVC(light gray), PP(light yellow),
Clear PVC(transparent), PVDF(ivory)



SPECIFICATIONS:



ITEM	PART	MATERIAL	QTY
01	LOWER BODY	PVC / CPVC / PP / PVDF	1
02	UPPER BODY	PVC / CPVC / PP / PVDF	1
04	COMPRESSOR	ABS	1
10	HANDWHEEL	ABS	1
14	THRUST WASHER	PTFE	1
16	PIN	65 Mn	1
19	INDICATOR COVER	PVC	1
26	BUCKLE	PP	1
27A	INSERTED COPPER	Cu	2
27B	INSERTED COPPER	Cu	0 / 4
29	BOLT STUB	SS 304	0 / 4
30	HEX BOLT	SS 304	2-4
32	PAD	SS 304	8-12
34	HEX NUT	SS 304	4-8
38	STEM SPINDLE	Cu (H59)	1
39	STEM SLEEVE	Cu (H59)	1
40	INDICATOR STEM	ABS	1
48 / 47	DIAPHRAGM	EPDM / VITON / PTFE	1
49	ORING	EPDM	1

Unit: MM

SIZE	d	D				L1	L	H1	H2
		DIN	ANSI	JIS	CNS				
1/2"(15)	15.00	20.00	21.34	22.00	22.00	22.50	100.00	127.00	12.50
3/4"(20)	20.00	25.00	26.67	26.00	26.00	26.00	113.00	132.00	16.00
1"(25)	25.00	32.00	33.40	32.00	34.00	29.00	132.00	141.40	20.00
1 1/4"(32)	32.00	40.00	42.16	38.00	42.00	35.50	181.00	219.00	31.50
1 1/2"(40)	40.00	50.00	48.26	48.00	48.00	35.50	181.00	219.00	31.50
2"(50)	50.00	63.00	60.32	60.00	60.00	38.00	221.00	234.60	37.50
2 1/2"(65)	65.00	75.00	73.02	76.00	76.00	45.00	251.00	296.00	45.00
3"(80)	75.00	90.00	88.90	89.00	89.00	52.00	291.00	315.30	55.00
4"(100)	95.00	110.00	114.30	114.00	114.00	61.50	348.00	334.00	70.00

Flanged Diaphragm Valve

ADVANTAGES:

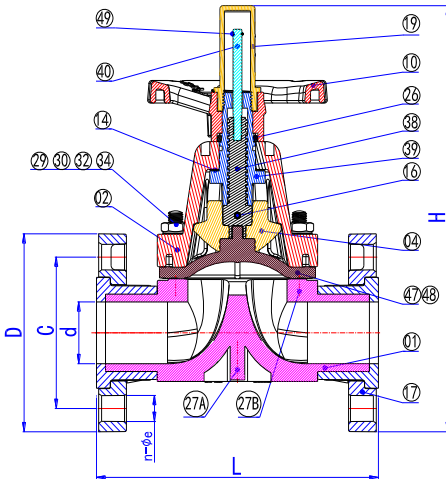
- 1) Materials meet drinking water standard
- 2) Improved designs and performance
- 3) 100% pure virgin material, CaCO₃ free (Chalk)
- 4) UV resistant powder added
- 5) Clear body is available to check working status
- 6) Diaphragm is available in EPDM, PTFE & VITON

DESCRIPTION:

- 1) Material: PVC, CPVC, PP, Clear PVC, PVDF
- 2) Size: 1/2" - 4"; 20mm - 110mm; DN15 - DN100
- 3) Standard: ANSI, DIN, JIS
- 4) Joint End: Socket
- 5) Working Pressure: 150 PSI
- 6) Operating Temperature: PVC(0~55℃); CPVC & PP(0~95℃)
- 7) Valve body color : PVC(dark gray), CPVC(light gray), PP(light yellow),
Clear PVC(transparent), PVDF(ivory)



SPECIFICATIONS:



Van Stone Flanged Type - ANSI

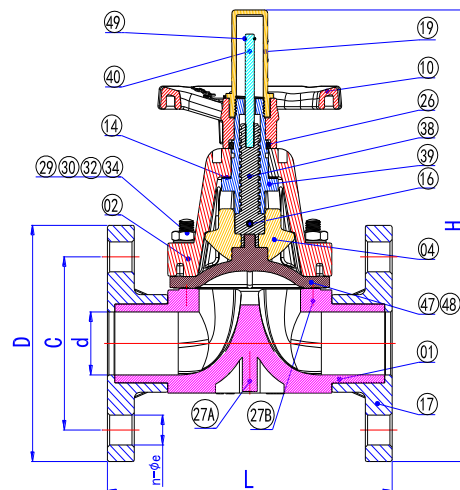
SIZE	D	C	d	L	H	n-φe
1/2"(15)	87.00	60.30	15.00	106.00	170.50	4-16
3/4"(20)	98.00	70.00	20.00	119.00	181.00	4-16
1"(25)	108.00	79.40	25.00	144.00	195.40	4-16
1 1/4"(32)	117.00	88.90	32.00	191.00	277.50	4-16
1 1/2"(40)	128.00	98.00	40.00	193.40	283.00	4-16
2"(50)	155.50	121.00	50.00	232.00	312.40	4-19
2 1/2"(65)	178.00	140.00	65.00	263.00	385.00	4-19
3"(80)	192.00	152.00	75.00	304.00	411.30	8-19
4"(100)	230.00	191.20	95.00	362.00	449.00	8-19

ITEM	PART	MATERIAL	QTY
01	LOWER BODY	PVC / CPVC / PP / PVDF	1
02	UPPER BODY	PVC / CPVC / PP / PVDF	1
04	COMPRESSOR	ABS	1
10	HANDWHEEL	ABS	1
14	THRUST WASHER	PTFE	1
16	PIN	65 Mn	1
17	FLANGE	PVC / CPVC / PP / PVDF	2
19	INDICATOR COVER	PVC	1
26	BUCKLE	PP	1
27A	INSERTED COPPER	Cu	2
27B	INSERTED COPPER	Cu	0 / 4
29	BOLT STUB	SS 304	0 / 4
30	HEX BOLT	SS 304	2-4
32	PAD	SS 304	8-12
34	HEX NUT	SS 304	4-8
38	STEM SPINDLE	Cu (H59)	1
39	STEM SLEEVE	Cu (H59)	1
40	INDICATOR STEM	ABS	1
48 / 47	DIAPHRAGM	EPDM / VITON / PTFE	1
49	ORING	EPDM	1

T/S Flanged Type - DIN / JIS

Unit: MM

SIZE	D	C		d	L	H	n-φe
		DIN	JIS				
1/2"(15)	95.00	65.00	70.00	15.00	106.00	174.50	4-15
3/4"(20)	105.00	75.00	75.00	20.00	119.00	184.50	4-15
1"(25)	125.00	85.00	90.00	25.00	142.00	203.90	4-19
1 1/4"(32)	140.00	100.00	100.00	32.00	191.00	289.00	4-19
1 1/2"(40)	150.00	110.00	105.00	40.00	191.00	294.00	4-19
2"(50)	165.00	125.00	120.00	50.00	231.00	317.00	4-19
2 1/2"(65)	185.00	145.00	140.00	65.00	269.00	388.50	4-19
3"(80)	200.00	160.00	150.00	80.00	308.00	415.30	8-19
4"(100)	220.00	180.00	175.00	100.00	368.00	444.00	8-19



T/S Flanged Type - DIN / JIS



XIAMEN SANIDENG PLASTICS INDUSTRY CO.,LTD

True Union Diaphragm Valve

ADVANTAGES:

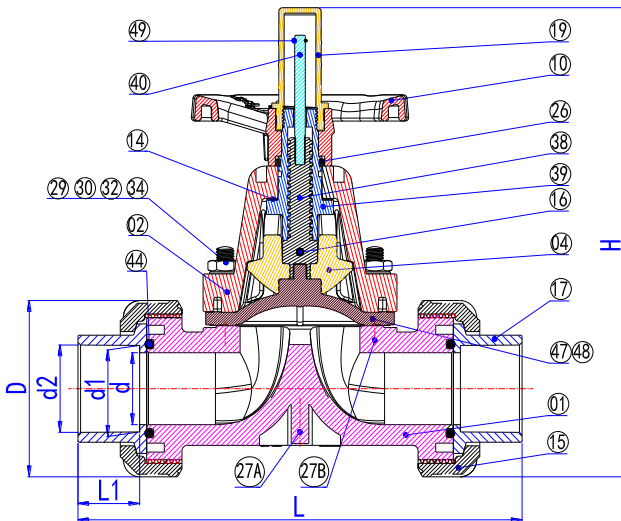
- 1) Materials meet drinking water standard
- 2) Improved designs and performance
- 3) 100% pure virgin material, CaCO3 free (Chalk)
- 4) UV resistant powder added
- 5) Clear body is available to check working status
- 6) Diaphragm is available in EPDM, PTFE & VITON

DESCRIPTION:

- 1) Material: PVC, CPVC, PP, Clear PVC, PVDF
- 2) Size: 1/2" - 4"; 20mm - 110mm; DN15 - DN100
- 3) Standard: ANSI, DIN, JIS
- 4) Joint End: Socket, Threaded(NPT, PT, BSPF), Fusion, Welding
- 5) Working Pressure: 150 PSI
- 6) Operating Temperature: PVC(0~55℃); CPVC & PP(0~95℃)
- 7) Valve body color : PVC(dark gray), CPVC(light gray), PP(light yellow),
Clear PVC(transparent), PVDF(ivory)



SPECIFICATIONS:



ITEM	PART	MATERIAL	QTY
01	LOWER BODY	PVC / CPVC / PP / PVDF	1
02	UPPER BODY	PVC / CPVC / PP / PVDF	1
04	COMPRESSOR	ABS	1
10	HANDWHEEL	ABS	1
14	THRUST WASHER	PTFE	1
15	UNION NUT	PVC / CPVC / PP / PVDF	2
16	PIN	65 Mn	1
17	UNION END	PVC / CPVC / PP / PVDF	2
19	INDICATOR COVER	PVC	1
26	BUCKLE	PP	1
27A	INSERTED COPPER	Cu	2
27B	INSERTED COPPER	Cu	0 / 4
29	BOLT STUB	SS 304	0 / 4
30	HEX BOLT	SS 304	2-4
32	PAD	SS 304	8-12
34	HEX NUT	SS 304	4-8
38	STEM SPINDLE	Cu (H59)	1
39	STEM SLEEVE	Cu (H59)	1
40	INDICATOR STEM	ABS	1
44	ORING	EPDM / VITON	2
48 / 47	DIAPHRAGM	EPDM / VITON / PTFE	1
49	ORING	EPDM	1

Unit: MM

SIZE	d	d1				d2				D	L1		L	H
		ANSI	DIN	JIS	CNS	ANSI	DIN	JIS	CNS		ANSI / JIS / CNS	DIN		
1/2"(15)	15.00	21.54	20.30	22.40	22.40	21.23	20.10	21.73	21.90	54.00	22.30	16.00	142.00	154.00
3/4"(20)	20.00	26.87	25.30	26.45	26.40	26.57	25.10	26.69	25.90	63.00	25.50	19.00	160.00	164.50
1"(25)	25.00	33.65	32.30	32.55	34.50	33.27	32.10	31.70	33.90	73.50	28.60	22.00	184.00	178.20
1 1/4"(32)	32.00	42.42	40.30	38.60	42.50	42.04	40.10	37.65	41.90	84.50	32.00	26.00	246.00	261.00
1 1/2"(40)	40.00	48.56	50.30	48.70	48.60	48.11	50.10	47.74	47.90	98.00	35.00	32.00	252.00	268.00
2"(50)	50.00	60.63	63.30	60.80	60.60	60.17	63.10	59.78	59.90	118.00	38.00		287.00	294.00
2 1/2"(65)	65.00	73.38	75.30	76.60	76.70	72.85	75.10	75.68	75.90	150.00	47.00		356.00	371.00
3"(80)	75.00	89.31	90.40	89.60	89.70	88.70	90.10	88.55	88.90	169.00	51.00		409.00	400.00
4"(100)	95.00	114.76	110.40	114.70	115.00	114.10	110.10	113.60	113.80	211.00	61.00		497.00	440.00



Sampling Valve

ADVANTAGES:

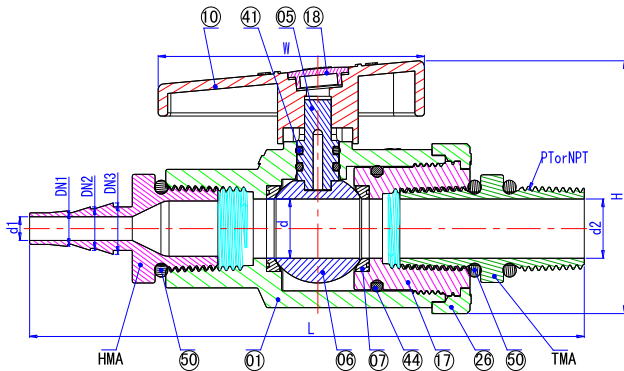
- 1) Enhanced hermeticity
- 2) Smooth opening and closing thanks to a lower torque
- 3) Replaceable ergonomic handle
- 4) 100% pure virgin material, CaCO₃ free (Chalk)
- 5) UV resistant powder added
- 6) 100% pressure testing before leaving the factory
- 7) Multifunctional ends to meet different requirements

DESCRIPTION:

- 1) Material: PVC, CPVC, PP, PVDF
- 2) Size: 1/4" - 1"; DN6 - DN25
- 3) Joint End: Socket, Threaded NPT, BSPF and PT
- 4) Standard: ANSI, DIN, JIS, CNS
- 5) Working Pressure: 150 PSI
- 6) Operating Temperature: PVC(0~55°C); CPVC & PP(0~95°C)



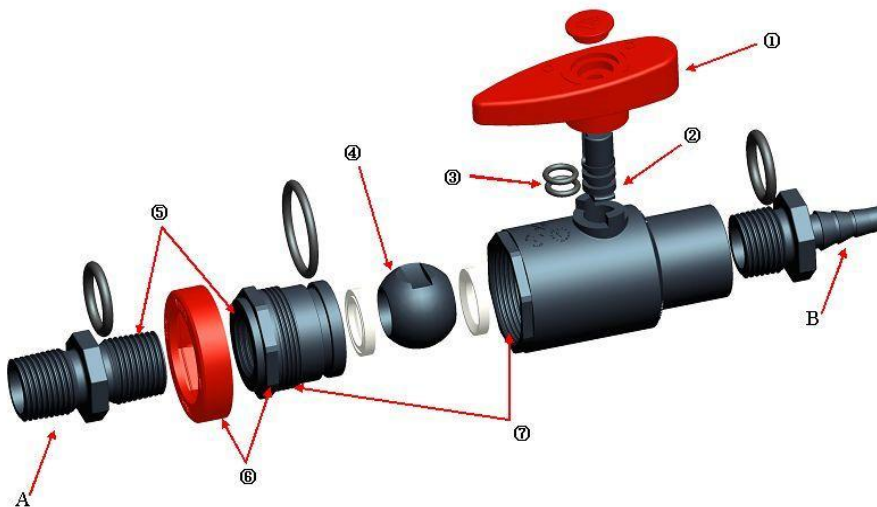
SPECIFICATIONS:



ITEM	PART	MATERIAL	QTY
01	BODY	PVC / CPVC / PP / PVDF	1
05	STEM	PVC / CPVC / PP / PVDF	1
06	BALL	PVC / CPVC / PP / PVDF	1
07	SEAT	TPV	2
10	HANDLE	ABS	1
17	END CONNECTOR	PVC / CPVC / PP / PVDF	1
18	CAP	ABS	1
26	BUCKLE	ABS	1
41	ORING	EPDM / VITON	2
44	ORING	EPDM / VITON	1
50	ORING	EPDM / VITON	3
HMA	MALE ADAPTOR	PVC / CPVC / PP / PVDF	1
TMA	MALE ADAPTOR	PVC / CPVC / PP / PVDF	1

SIZE	Nominal (DN)			Structural Diameter								UNIT: MM	
	DN1	DN2	DN3	d	d1	d2	L	H	W	PT(n/in)	NPT(n/in)	operating torque (N-M)	
1/4" (6)	8.00	10.00	12.00	6.00	6.00	6.00	110.50	47.70	49.00	19.00	18.00	2.00	
1/2" (15)	8.00	10.00	12.00	15.00	14.00	14.00	137.00	64.00	70.00	14.00	14.00	2.00	

DESIGNS:



- ① New design more beautiful than the old handle, and difficult to break
- ② The bottom of stem is designed with arc-shape, easily in conjunction with the ball of low-torque
- ③ Oring is increased from one to two, sealing more reliable
- ④ Ball is milled and polished via CNC machine to enhance its roundness for low-torque and high sealing
- ⑤ The end is suitable for threaded(NPT/PT/BSPF) and socket(ANSI/DIN/JIS) fittings, and multifunctional if to add A(double male adaptor) or B(hose adaptor)
- ⑥ Buckle is designed to fix the end and improve sealing performance
- ⑦ Male threads to connect female threads of body(without cement) until the octagonal ribs on the same position, sealing performance is stable.