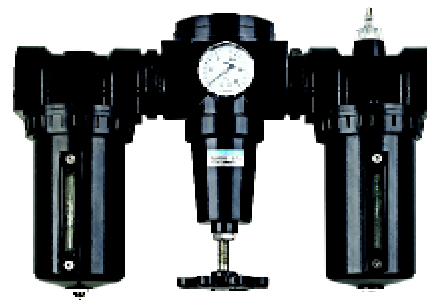
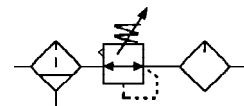


Filter+Regulator+Lubricator

Specification:

Type	AC900-15	AC900-20
Port size G	1 1/2"	2"
Gauge thread G	1/4"	
Fluid	Compressed Air	
Operating pressure range MPa	0.15~0.85	
Ambient temperature °C	-10~60	
Filter precision	Standard: 20 μ m	
Cup material	Die-casting Aluminum	

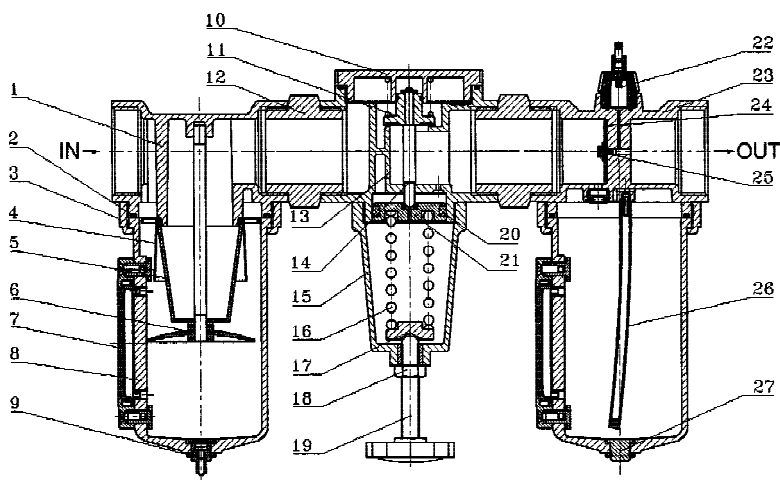


How to order:



①	ACFilter+Regulator+Lubricator
②	Type: 900
③	Port size: 15:G1 1/2", 20:G2"
④	□: Differential pressure drain, D: Auto-drain;

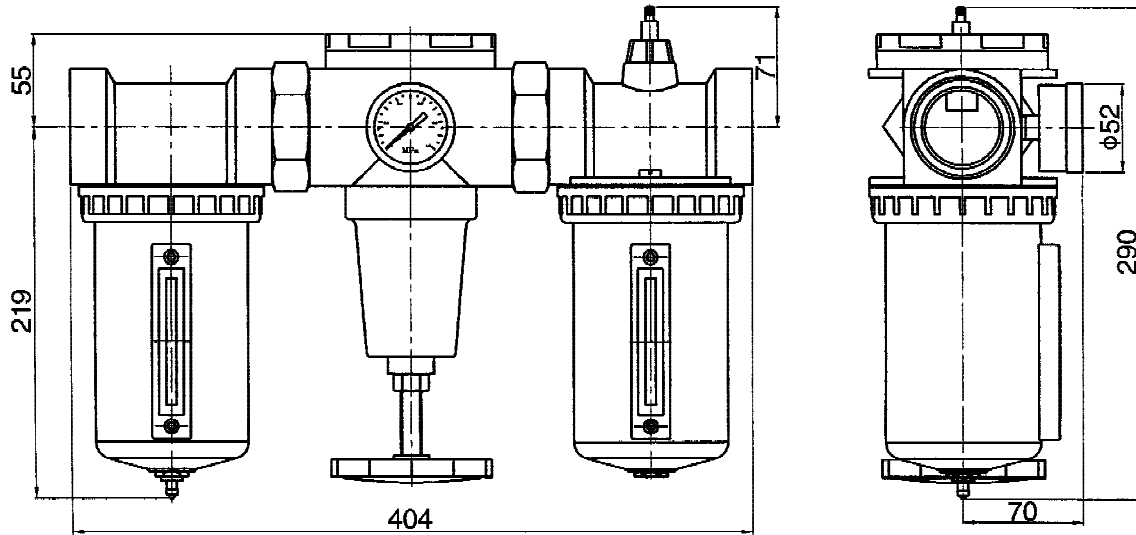
Inner structure drawing:



No	Code	No	Code
1	Filterbody	15	Valve cover
2	O-ring	16	Doom button
3	Nut	17	Irongasket
4	Impeller	18	Nut
5	Filtercore	19	Handle wheel
6	Barrietboard	20	O-ring
7	Visual oil window	21	Piston
8	Watercup	22	Oil window components
9	Drainer	23	Lubricatorbody
10	Valve cover	24	Damping fin
11	Regulator core	25	Dampingnut
12	Connector	26	Oiltube
13	Regulatorbody	27	Plug
14	Valverod		

Dimension(mm):

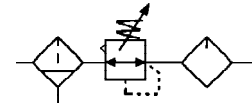
■ AC900-15、20



Filter Regulator+Lubricator

Specification:

Type	AC901-15	AC901-20
Port size G	1½"	2"
Gauge thread G	1/4"	
Fluid	Compressed Air	
Operating pressure range MPa	0.15~0.85	
Ambient temperature °C	-10~60	
Filter precision	Standard: 20 μ m	
Cup material	Die-casting Aluminum	

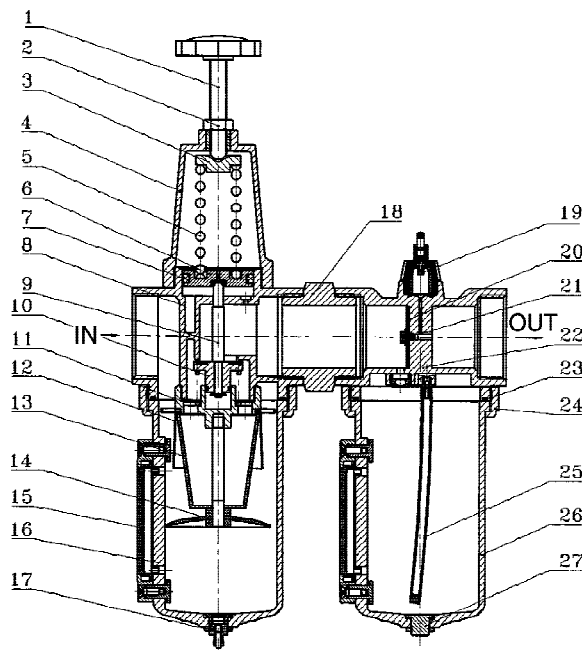


How to order:



①	AC Filter Regulator+Lubricator
②	Type: 901
③	Port size: 15:G1½", 20:G2"
④	□: Differential pressure drain, D: Auto-drain;

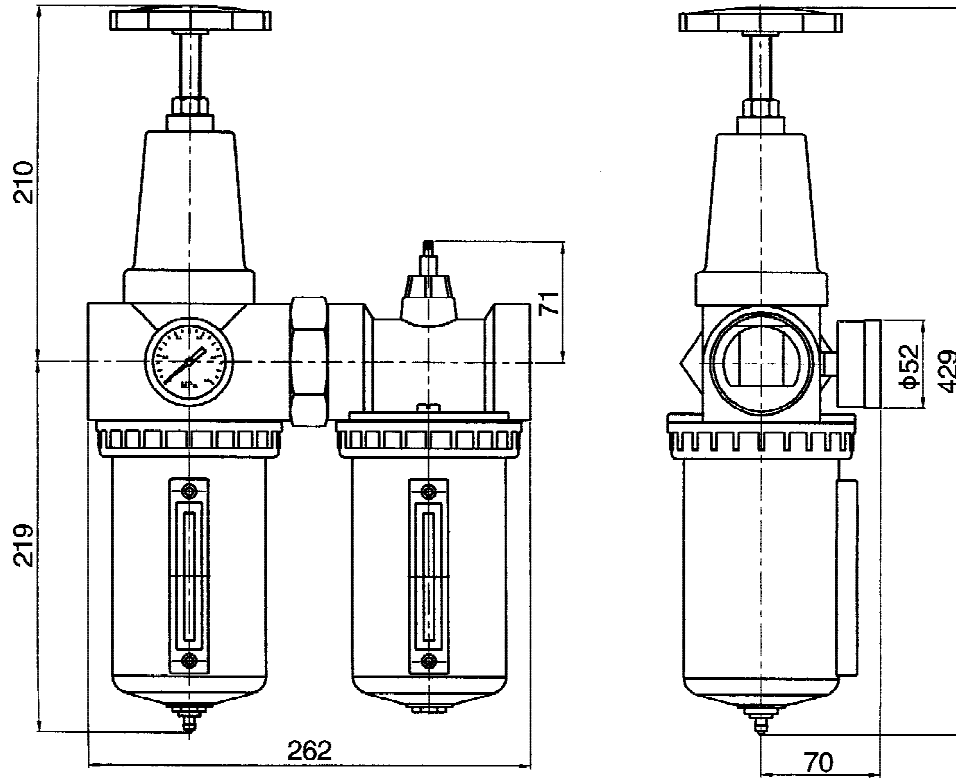
Inner structure drawing:



No	Code	No	Code
1	Handle wheel	15	Visual oil window
2	Nut	16	Water cup
3	Iron gasket	17	Drainer
4	Valve cover	18	Connector
5	Adjustable spring	19	Oil window components
6	Piston	20	Damping fin
7	O-ring	21	Damping nut
8	Filter regulator body	22	Lubricator body
9	Valverod	23	O-ring
10	Regulator core	24	Nut
11	Core pedestal	25	Oil tube
12	Impeller	26	Oil cup
13	Filter core	27	Plug
14	Battier board		

Dimension(mm):

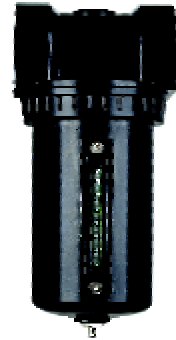
■ AC901-15、20



Filter

Specification:

Type	AF900-15	AF900-20
Port size G	1 1/2"	2"
Gauge thread G	1/4"	
Fluid	Compressed Air	
Operating pressure range MPa	0.15~0.85	
Ambient temperature °C	-10~60	
Filter precision	Standard: 20 μ m	
Cup material	Die-casting Aluminum	



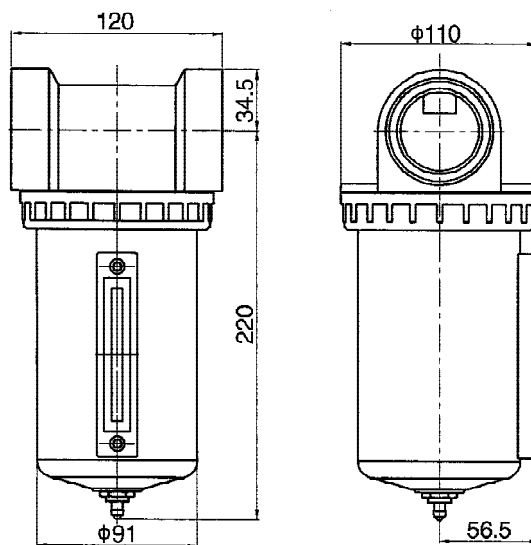
How to order:



①	AF Filter
②	Type: 900
③	Port size: 15:G1 1/2", 20:G2"
④	□: Differential pressure drain, D: Auto-drain;

Dimension(mm):

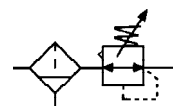
■ AF900-15、20



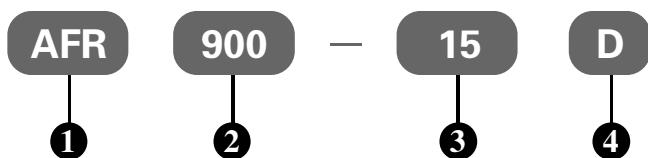
Filter Regulator

Specification:

Type	AFR900-15	AFR900-20
Port size G	1½"	2"
Gauge thread G	1/4"	
Fluid	Compressed Air	
Operating pressure range MPa	0.15~0.85	
Ambient temperature °C	-10~60	
Filter precision	Standard: 20 μ m	
Cup material	Die-casting Aluminum	



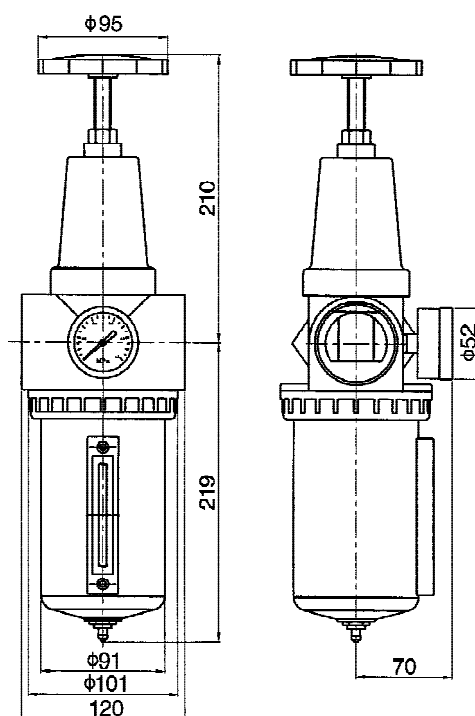
How to order:



①	AFR Filter Regulator
②	Type: 900
③	Port size: 15:G1½", 20:G2"
④	□: Differential pressure drain, D: Auto-drain;

Dimension(mm):

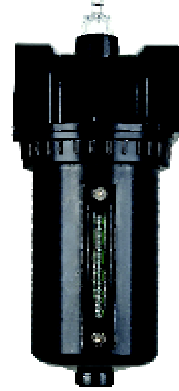
■ AFR900-15、20



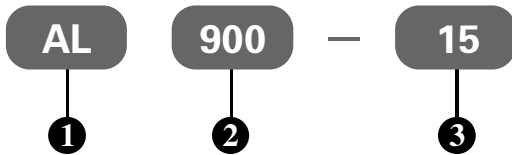
Filter

Specification:

Type	AL900-15	AL900-20
Port size G	1½"	2"
Gauge thread G	1/4"	
Fluid	Compressed Air	
Operating pressure range MPa	0.15~0.85	
Ambient temperature °C	-10~60	
Cup material	Die-casting Aluminum	



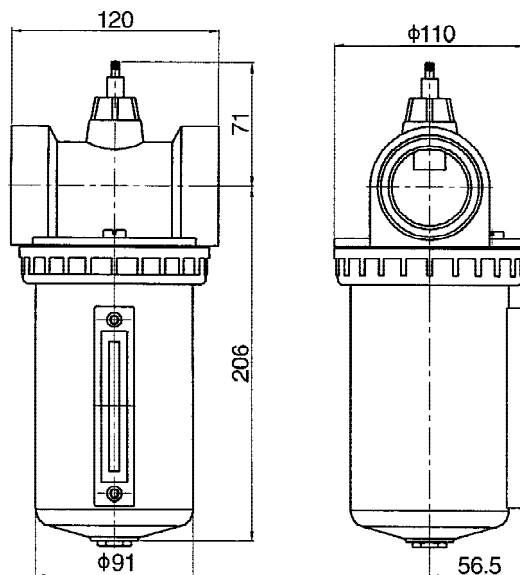
How to order:



①	ALFilter
②	Type: 900
③	Port size: 15:G1½", 20:G2"

Dimension(mm):

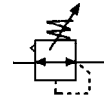
■ AF900-15、20



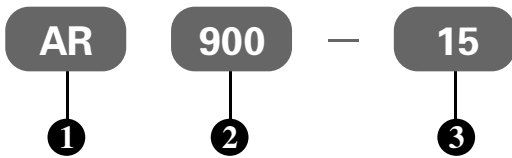
Regulator

Specification:

Type	AR900-15	AR900-20
Port size G	1 ¹ / ₂ "	2"
Gauge thread G	1/4"	
Fluid	Compressed Air	
Operating pressure range MPa	0.15~0.85	
Ambient temperature °C	-10~60	



How to order:



①	AR Regulator
②	Type: 900
③	Port size: 15:G1 ¹ / ₂ ", 20:G2"

Dimension(mm):

■ AR900-15、20

