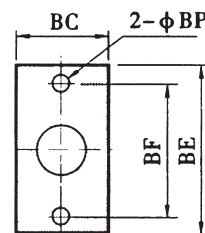
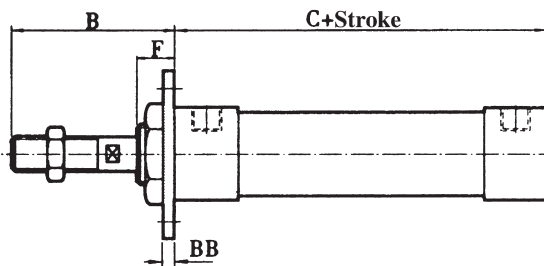


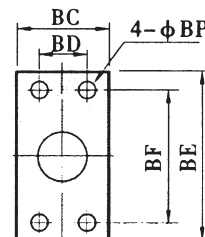
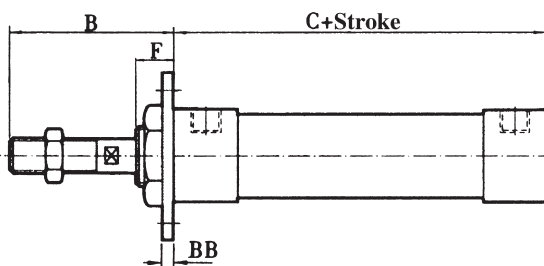
# Aluminum Mini Cylinder

## FA Dimension:

■  $\phi$  20~25

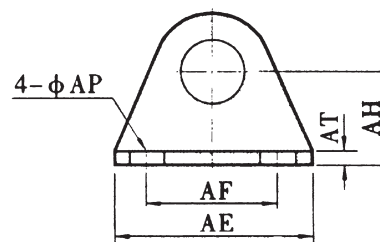
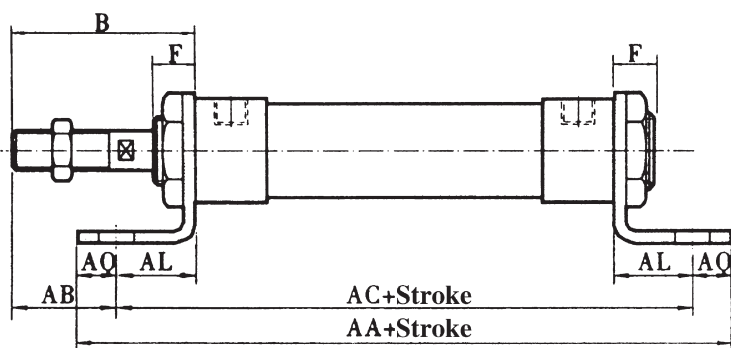


■  $\phi$  32~40



symbol/bore	B	C (MAL Series)	C(MSAL series)		BB	BC	BD	BE	BF	BP	F
			0~50	51~100							
20	40	70	70	95	4	38	-	64	50	6.5	12
25	44	70	70	95	4	38	-	64	50	6.5	14
32	44	70	70	95	4	47	33	72	58	6.5	14
40	46	92	92	117	4	50	36	84	70	6.5	14

## LB Dimension:

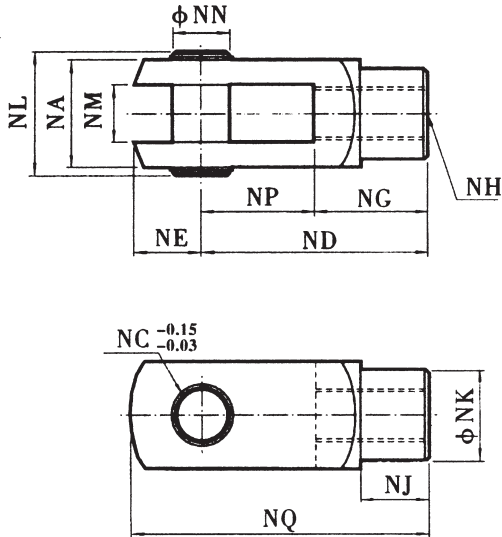


symbol/bore	B	F	AA (MAL Series)	C(MSAL series)		AB	AC (MAL Series)	AC(MSAL series)		AE	AF	AL	AQ	AP	AH
				0~50	51~100			0~50	51~100						
20	40	12	116	116	141	25	100	100	125	40	15	8	6.5	3.2	25
25	44	14	116	116	141	29	100	100	125	40	15	8	6.5	3.2	25
32	44	14	136	136	161	19	120	120	145	45	25	8	6.5	4	32
40	46	14	158	158	183	21	142	142	167	50	25	8	6.5	4.5	36

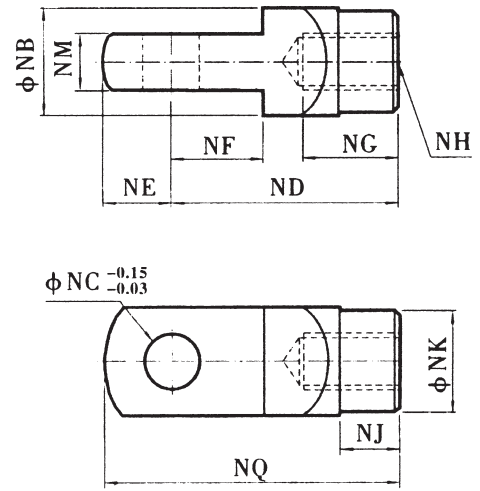
# Aluminum Mini Cylinder

## Connector Dimension:

■ Y Connector

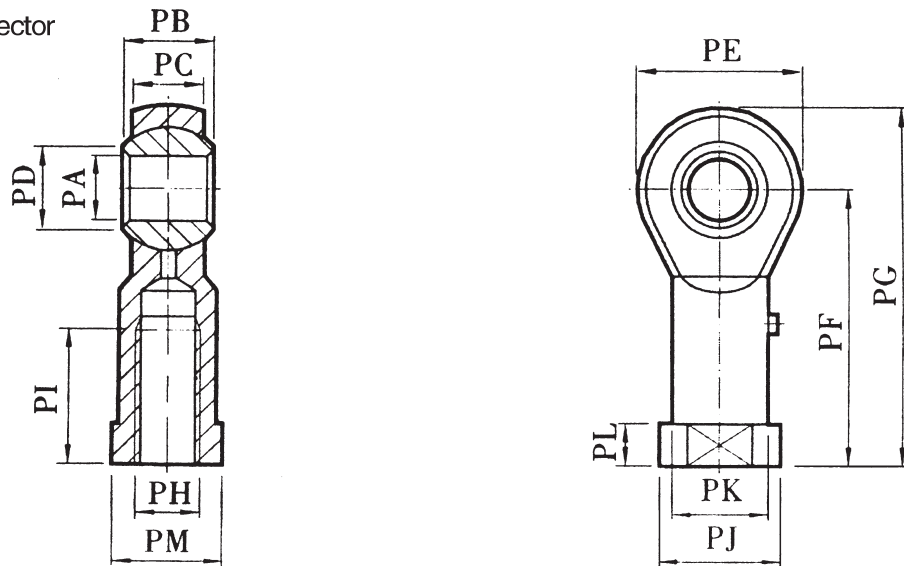


■ I Connector



symbol/bore	NA	NB	NC	ND	NE	NF	NG	NH	NJ	NK	NL	NM	NN	NP	NQ	PA	PB
20	16	16	8	30	14	11	15	M8 × 1.25	10	16	21	8	8	15	40	21	16.5
25	16	20	10	40	18	13	20	M10 × 1.25	12	20	25	10	10	20	52	25	16.5
32	19	20	10	40	18	13	20	M10 × 1.25	12	20	25	10	10	20	52	25	19.5
40	25.4	25	10	45	23	15	25	M12 × 1.25	15	25	31	14	10	20	57	31	26

■ P Fish eye Connector



symbol/bore	PA	PB	PC	PD	PE	PF	PG	PH	PI	PJ	PK	PL	PM
20	8	12	9	10.4	22	36	47	M8 × 1.25	17	16	12.5	5	14
25	10	14	11	12.9	26	43	56	M10 × 1.25	21	19	15	6.5	17
32	10	14	11	12.9	26	43	56	M10 × 1.25	21	19	15	6.5	17
40	12	16	12	15.4	30	50	65	M12 × 1.25	24	22	17.5	6.5	19