

03



UNDERWATER LIGHTS

UNDERWATER LIGHTS

The light source is the core part of the underwater light, and its technical characteristics determine the performance and structure. Currently, the light source of LASWIM underwater light application uses a silicon filled LED panel, variable voltage LED, DIP LED, SMD LED, halogen and incandescent. In order to make it easier for you to understand our products, we will introduce you to the characteristics of the light source so that you can select underwater light products more conveniently.

1. RESIN FILLED LED LAMP

By full enclosing resin, the LED lamp and the interior of the lamp body are fully packaged, so as to achieve complete waterproof and moisture proof.

Features:

- Resin-filled LED panel allows 100% water proofing with special epoxy, even if only the led panel still keeps working.
- High efficient, supper bright, low heat LED board and control board, low power consumption.
- Color: cool white, warm white, RGB and single blue.
- RGB mode features 19 pre-programmed lighting patterns.

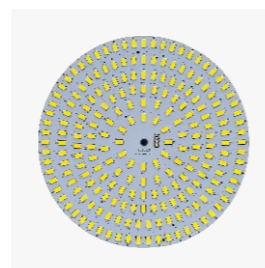


2. Variable voltage LED light:

Variable voltage AC12V-20V led light would be provided you much better and reliable quality even though your pool power supply with voltage fluctuation. Your pool lights would be ensured their working performance and prolonged their lifespan.

Features:

- Safe low voltage: AC12V-20V.
- Can be applied to the voltage fluctuation range of occasion.
- No flicker, high purity, soft light, no glare.
- High brightness (high lumen), strong light transmission.
- Low power consumption, low heat while working.



3. DIP LED light

DIP LED using potting form for packaging. Potting process is injected liquid epoxy resin in LED the molding cavity at first, and then insert the pressure LED bracket welding good put them into the oven for epoxy resin after curing in order to make the LED molded from the mold cavity. Due to the simple fabrication process, low cost, it have a higher market share. In large volume, can be used to artificial insert or AI machine operation, because of the DIP LED high brightness, easy to waterproof processing, so this kind light source widely using in general pool lights, and high power available as well.

Features:

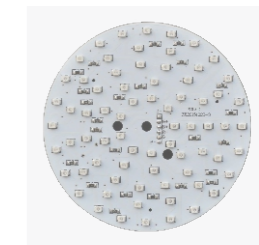
- High brightness, high efficient, low power consumption.
- Safety voltage: AC 12V.
- RGB mode features 19 pre-programmed lighting patterns.



UNDERWATER LIGHTS

4. SMD LED light

SMD LED is attached on the surface of PCB, suitable for SMT processing, can be reflow, solves the brightness, angle of view, flatness, consistency, reliability and other issues, the lighter PCB plate and a reflecting layer material, improvement of removing heavier carbon steel pin of DIP LED, the display epoxy resin less reflective layer to fill, to reduce the size, reduce weight. Thus, surface mount LED can easily integrate product weight by half; eventually make the application more perfect.



Features:

- High efficient SMD LED, power saving up to 80% consumption than halogen lamp and incandescent lamp.
- Beam angle: 120°.
- Safety low voltage: AC 12V.

5. Halogen / Incandescent bead/Lamp cup:

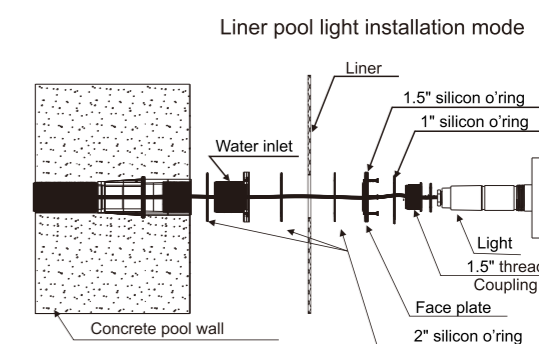
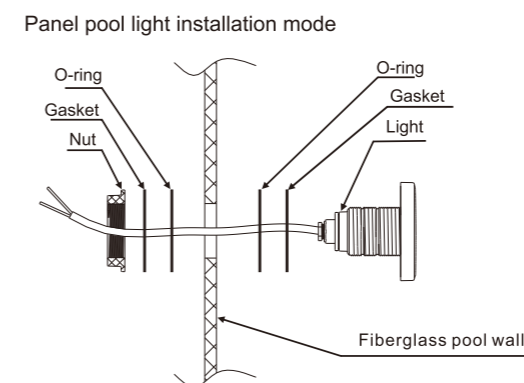
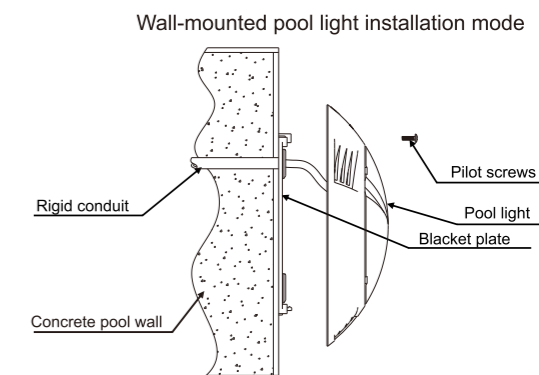
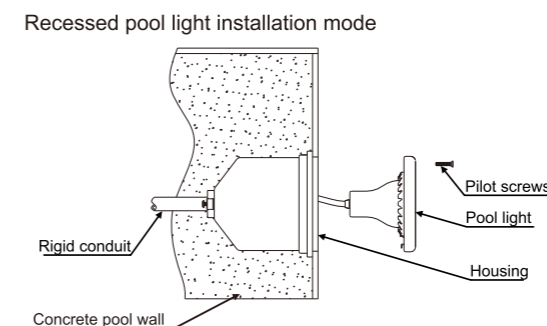
The halogen light bulb or lamp is a type of incandescent lamp which uses a halogen gas in order to increase both light output and rated life. They are known for moderately high efficiency, quality of light, and high rated life compared to regular incandescent lamps.

Features:

- Super brightness, high efficient.
- Safe low voltage: AC12V.
- Competitive cost.



LASWIM lights installation modes:



WL-MAG/WL-MBG/WL-MCG

WL-MAG/WL-MBG/WL-MCG



WL-MAG

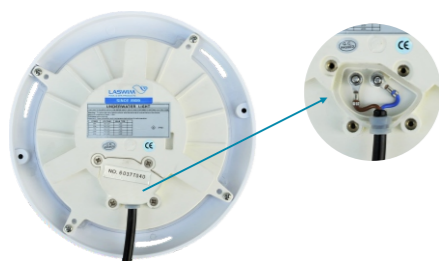
LASWIM's WL-MAG, WL-MBG, and WL-MCG series of mixed-type (wall-mounted/embedded) underwater lights prioritize engineering convenience, product safety, and reliability. This underwater light demonstrates excellent engineering adaptability, allowing wall-mounted, embedded, or assembled installation through the conversion of the base. This greatly enhances the universality of underwater light installation, reducing the difficulty for owners to choose. Simultaneously, this underwater light employs a fully sealed process and integrated structural design, isolating electrical components from water and the light body. This significantly improves the waterproof, heat dissipation, and insulation performance of the underwater light, resulting in better safety and a longer lifespan.

Main features:

- Fully resin enclosing the light cable connection, to achieve complete waterproof and moisture proof.
- High efficient, supper bright, big lumen.
- Waterproof standard: IP68.
- Color: cool white, warm white, RGB and single color.
- RGB mode features 19 pre-programmed patterns.
- Installation mode: compatible to housing type with niche and wall-mounted with bracket plate.
- Color temperature: cool white 6000K, warm white: 3000K.



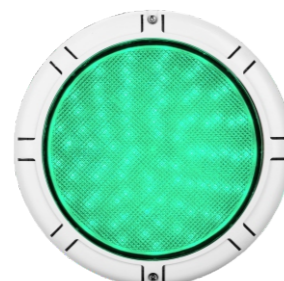
Colour Change



PC board with resin to protect from water penetration, convenient wiring



MAG led light

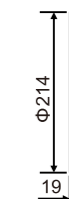
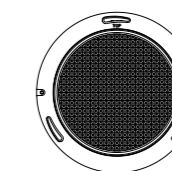


MBG led light

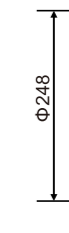
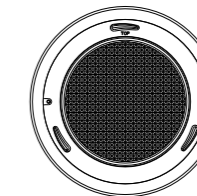


MCG led light

This series lights are available to choose different face ring



Recessed light with niche



Wall mounted light with bracket plate

WL-MAG.1

Model	Power (W)	Voltage (V)	LED QTY	Light source	Color	Lumination flux	Installation type
WL-MAG-LED072TB	6W	12V	72	Resin filled	White color	255	Housing type & wall-mounted type
WL-MAG-LED072TC	6W	12V	72	Resin filled	RGB	90	Housing type & wall-mounted type
WL-MAG-LED144TB	12W	12V	144	Resin filled	White color	455	Housing type & wall-mounted type
WL-MAG-LED144TC	12W	12V	144	Resin filled	RGB	110	Housing type & wall-mounted type
WL-MAG-LED252TB	18W	12V	252	Resin filled	White color	731	Housing type & wall-mounted type
WL-MAG-LED252TC	18W	12V	252	Resin filled	RGB	255	Housing type & wall-mounted type
WL-MAG-LED324TB	24W	12V	324	Resin filled	White color	1075	Housing type & wall-mounted type
WL-MAG-LED324TC	24W	12V	324	Resin filled	RGB	355	Housing type & wall-mounted type
WL-MAG-LED126JTB	18W	12-20V	126	Resin filled	White color	1250	Housing type & wall-mounted type
WL-MAG-LED126JTC	18W	12-20V	126	Resin filled	RGB	780	Housing type & wall-mounted type
WL-MAG-LED162JTB	18W	12-20V	162	Resin filled	White color	1370	Housing type & wall-mounted type
WL-MAG-LED162JTC	18W	12-20V	162	Resin filled	RGB	880	Housing type & wall-mounted type
WL-MAG-LED216JTB	24W	12-20V	216	Resin filled	White color	1950	Housing type & wall-mounted type
WL-MAG-LED216JTC	24W	12-20V	216	Resin filled	RGB	1300	Housing type & wall-mounted type

WL-MAG.2 Non-resin filled LED

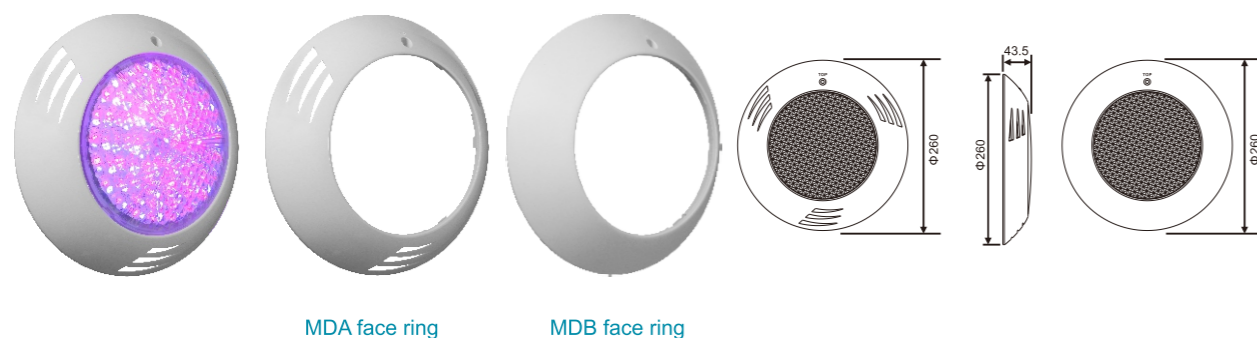
Model	Power (W)	Voltage (V)	LED QTY	Light source	Color	Lumination flux	Installation type
WL-MAG.2-LED162JTB	18W	12-20V	162	High brightness	White color	1500	Housing type & wall-mounted type
WL-MAG.2-LED162JTC	18W	12-20V	162	High brightness	RGB	970	Housing type & wall-mounted type
WL-MAG.2-LED216JTB	24W	12-20V	216	High brightness	White color	2150	Housing type & wall-mounted type
WL-MAG.2-LED216JTC	24W	12-20V	216	High brightness	RGB	1500	Housing type & wall-mounted type

WL-MD

WL-MD



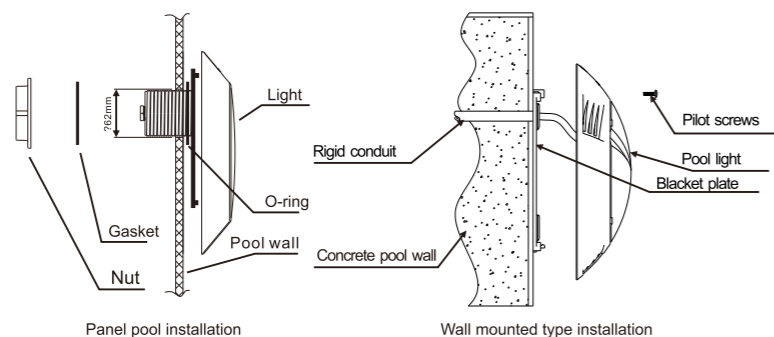
LASWIM MD series flat light is elegant in design, ultra-thin lamp againsts to the pool wall much more closely. It not only provides super brightness and high efficiency, but also very convenient installation to mount to the pool with bracket plate directly.



- Code 3040930059 bracket for concrete pool (non-niche).
- Code 3040930061 Mounting set for panel pool.
- Code 1219800009 retrofit plate for light with European or American Niche.

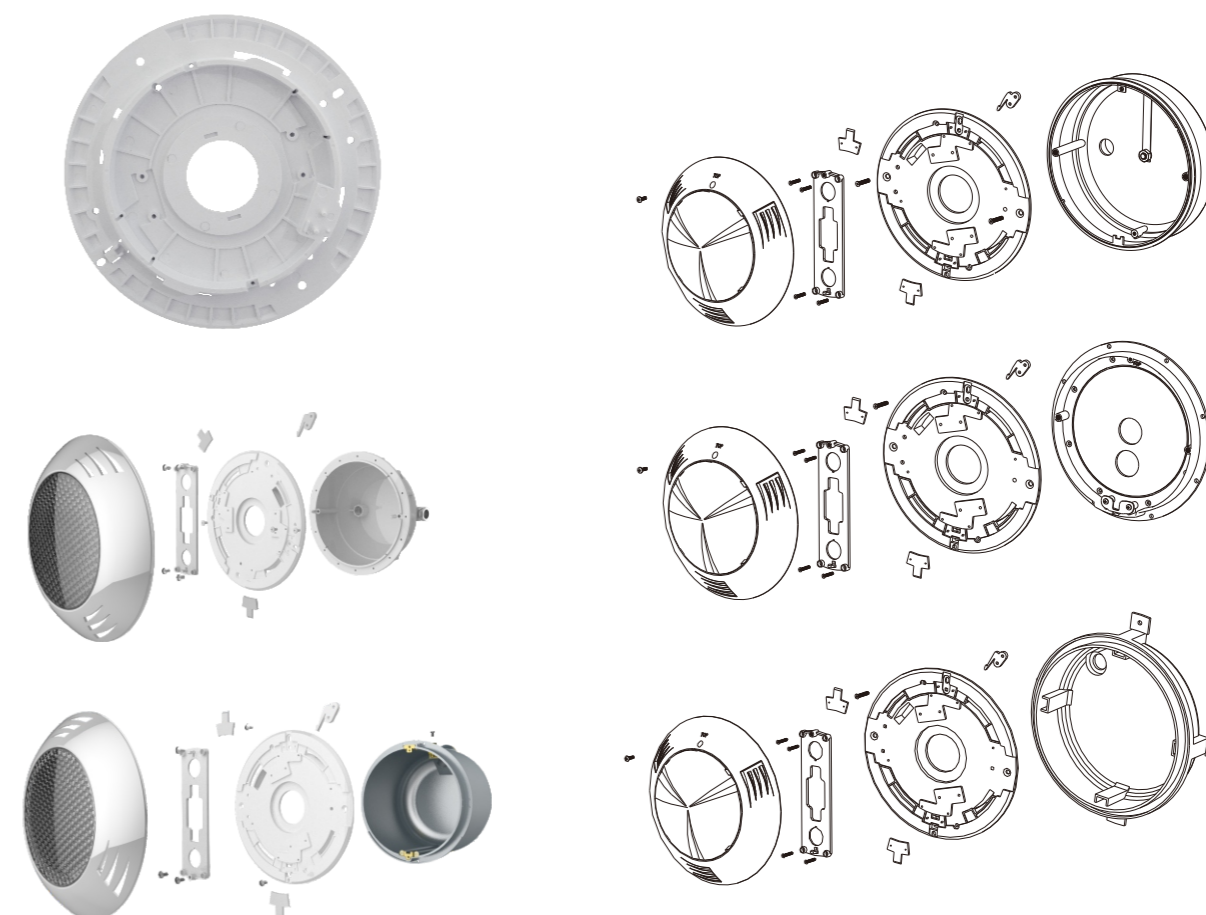


INSTALLATION DRAWING



RETROFIT PLATE

Universal Retrofit Bracker for Niche Lights, fit for most type of niches all over the world.



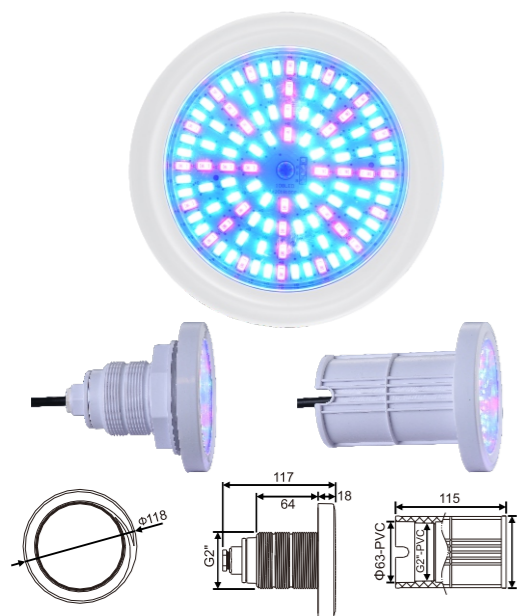
TECHNICAL DATA

Model	Power (W)	Voltage (V)	LED QTY	Light source	Color	Lumination flux	Installation type
WL-MD-LED162JTB	18W	AC 12-20V	162	Wide voltage	White color	1500	Wall mounted type
WL-MD-LED162JTC	18W	AC 12-20V	162	Wide voltage	RGB	970	Wall mounted type
WL-MD-LED216JTB	24W	AC 12-20V	216	Wide voltage	White color	2150	Wall mounted type
WL-MD-LED216JTC	24W	AC 12-20V	216	Wide voltage	RGB	1500	Wall mounted type
WL-MD-LED018JTB	18W	AC 12V	54	SMD LED	White color	1185	Wall mounted type
WL-MD-LED018JTC	18W	AC 12V	54	SMD LED	RGB	245	Wall mounted type
WL-MD-LED16PC	18W	DC12V	16	SMD LED	RGB+cool white+warm white	1380	Wall mounted type
WL-MD-LED24PC	24W	DC12V	16	SMD LED	RGB+cool white+warm white	1650	Wall mounted type
WL-MD-LED024JTB	24W	AC12V	72	SMD LED	White color	----	Wall mounted type
WL-MD-LED024JTC	24W	AC12V	72	SMD LED	RGB	----	Wall mounted type

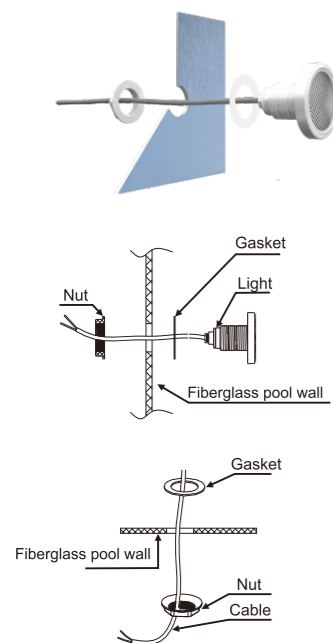
WL-ME

LASWIM ME light with 2" thread coupling is compatible to 2" int.thread wall conduit and pvc pipe. This series light is widely used in different kind pool, spa and water features. Its crystal PC lens improves its corrosion resistance and transparency to a new level.

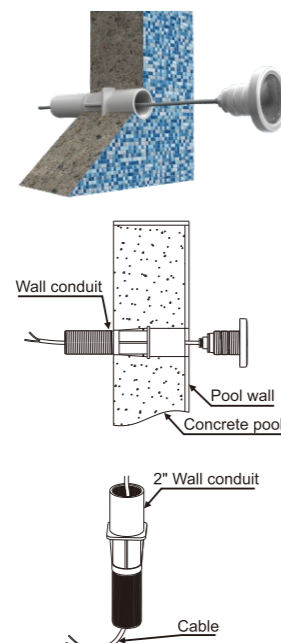
- Code 3040930063 kits for panel pool installation.
- ME light is able to connect to 2" wall conduit directly.
- Code 3040930062 kits for concrete pool with 2" or 63mm pvc pipe.



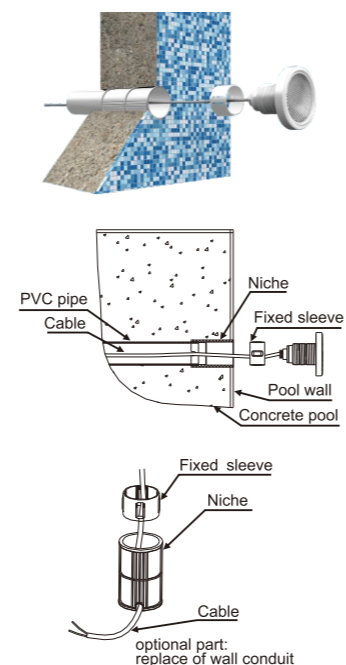
Panel pool installation



Concrete pool installation with wall conduit:



Concrete pool installation to 2"/63mm pipe



TECHNICAL DATA

Model	Power(W)	Voltage(V)	LED QTY	Light source	Color	Lumination flux	Installation type
WL-ME-LED054JTB	6W	12-20V	54	Wide voltage	White color	485	<input type="checkbox"/> for fiberglass pool <input type="checkbox"/> for panel pool <input checked="" type="checkbox"/> for concrete pool
WL-ME-LED054JTC	6W	12-20V	54	Wide voltage	RGB	120	
WL-ME-LED081JTB	9W	12-20V	81	Wide voltage	White color	760	
WL-ME-LED081JTC	9W	12-20V	81	Wide voltage	RGB	200	
WL-ME-LED108JTB	12W	12-20V	108	Wide voltage	White color	1000	
WL-ME-LED108JTC	12W	12-20V	108	Wide voltage	RGB	300	

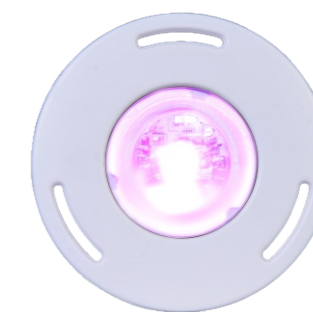
WL-MF

LASWIM TORCH LED LIGHT

MF series torch led light is with an unique designed and new technology, featuring an innovation, energy efficient and fast cooling. Just need to slip into a standard 1.5" pvc pipe or return fitting, easy and simple operation.

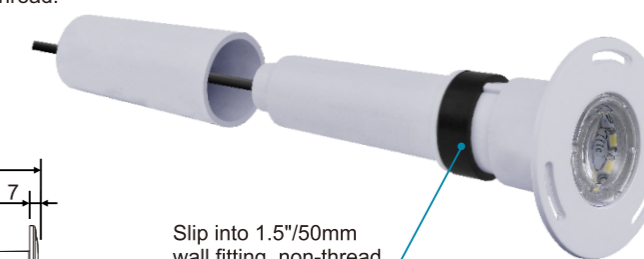
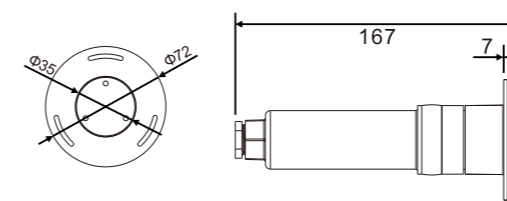
Main features:

- Low wattages but brilliant illumination.
- Low energy consumption.
- Variable voltage range AC12-20V.
- No flicker, high purity, soft light, no glare.
- Multi-color and white color available.
- High brightness (high lumen), strong light transmission.
- IP68 waterproof standard.
- Suitable to small space installation, such as pool step, spa, etc.
- Installation mode: Housing type, slip into 1.5"/50mm wall fitting or pvc pipe.
- Color: cool white, warm white, RGB and single color.



INSTALLATION GUIDANCE

- Slip into 1.5"/50mm pvc rigid hose or socket, non-thread.
- Slip into 1.5"/50mm wall fitting non-thread.



TECHNICAL DATA

Model	Power(W)	Voltage(V)	LED QTY	Light source	Color	Lumination flux	Installation type
WL-MF-LED003PB-C	3W	12-20V	1	Wide voltage	Cool white	180	Directly slip into 1.5" PVC pipe
WL-MF-LED003PB-W	3W	12-20V	1	Wide voltage	Warm white	180	
WL-MF-LED003PC	3W	12-20V	1	Wide voltage	RGB	150	

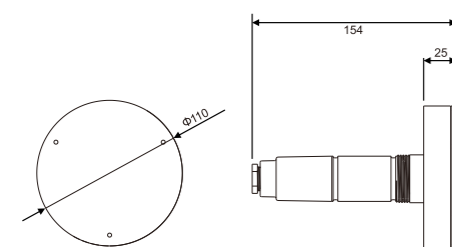
WL-MG



With distinctive design lens, MG light performances extraordinary and gorgeous lighting effect. Its thread is compatible to connect to 1.5" and 2" int. thread wall fitting or wall conduit, very convenient and widely used in all kinds of pools and spas, especial different liner pools.

Main features:

- High quality silicon gasket, it's not easy to age, seepage and leak.
- Variable voltage range AC 12-20V.
- No flicker, high purity, soft light, no glare.
- High brightness (high lumen), strong light transmission.
- Low power consumption, low heat while working.
- IP68 waterproof standard.
- Color: cool white, warm white, RGB & single blue.



Selection guidance

- 1 Screw to 1.5" wall fitting directly.
- 2 Adapt to 1.5" or 2" interior thread wall conduit or pvc pipe.
- 3 With niche part, the light can be connected to 2"/63mm slippy pvc pipe.
- 4 Adapt to 2" wall fitting special for different liner pools.

Suitable for all kinds of pools

- 1 Concrete pool installation with wall conduit.
- 2 Concrete pool installation with niche.
- 3 Concrete pool + liner installation.
- 4 Fiberglass pool installation.
- 5 Panel pool + liner installation.

TECHNICAL DATA

Model	Power (W)	Voltage (V)	LED QTY	Light source	Color	Lumination flux	Installation type
WL-MG-LED054JTB	6W	12-20V	54	Wide voltage	White color	485	<input type="checkbox"/> For fiberglass pool <input type="checkbox"/> For panel pool+liner <input type="checkbox"/> For concrete pool+tile <input type="checkbox"/> For concrete pool+liner
WL-MG-LED054JTC	6W	12-20V	54	Wide voltage	RGB	120	
WL-MG-LED081JTB	9W	12-20V	81	Wide voltage	White color	760	
WL-MG-LED081JTC	9W	12-20V	81	Wide voltage	RGB	200	
WL-MG-LED108JTB	12W	12-20V	108	Wide voltage	White color	1000	
WL-MG-LED108JTC	12W	12-20V	108	Wide voltage	RGB	300	

WL-MH



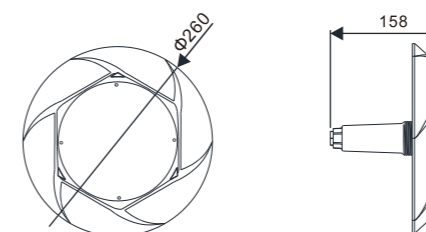
Combination light source brings super brightness

The combination of high power led bulbs and wide angle led bulbs improves the brightness space and illumination range, very suitable to medium and large swimming pool.

It is threaded for universal 1.5" female inlet and wall conduit, very easy to install and widely used in various swimming pools and spas, especial liner pools.

Main features:

- Durable ABS structure.
- Safety low voltage: AC12V, AC12-20V.
- Great compatibility: A variety installation methods bring you convenience for different pool installations: concrete pool, fiberglass pool, liner pool.



Suitable for all kinds of pools

- 1 Concrete pool installation with 1.5" interior thread wall conduit or pvc pipe.
- 2 Fiberglass pool installation.
- 3 Concrete pool + liner installation, adapt to 2" interior thread pipe or wall conduit.
- 4 Panel pool + liner installation.

TECHNICAL DATA

Model	Power(W)	Voltage(V)	LED QTY	Color	Installation type
WL-MH-LED072JTB	24W	12V	72	White color	<input type="checkbox"/> For fiberglass pool <input type="checkbox"/> For panel pool+liner <input type="checkbox"/> For concrete pool+tile <input type="checkbox"/> For concrete pool+liner
WL-MH-LED072JTC	24W	12V	72	RGB	
WL-MH-LED126JTB	18W	12-20V	126	White color	
WL-MH-LED126JTC	18W	12-20V	126	RGB	
WL-MH-LED162JTB	24W	12-20V	162	White color	
WL-MH-LED162JTC	24W	12-20V	162	RGB	

TECHNICAL DATA

Model	Power(W)	Voltage(V)	LED QTY
WL-MH-LED168JTBW	24W	12-20V	162pcs SMD leds white color+6pcs high power leds white color
WL-MH-LED168JTCW	24W	12-20V	162pcs SMD leds RGB color+6pcs high power leds white color

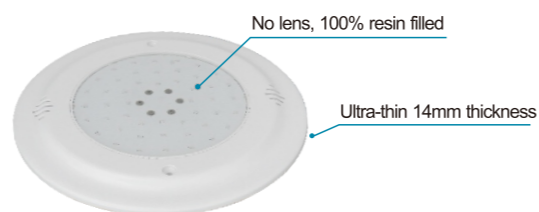
WL-PT

PT Underwater Light – a smart, thin wonder designed to bring intelligence and elegance to your underwater space. With a thin profile of just 14mm, this smart lighting solution exudes elegance. Thanks to the epoxy resin filling process, the internal light not only guarantees high water resistance and efficient heat dissipation, but is also compatible with all types of swimming pool installations.



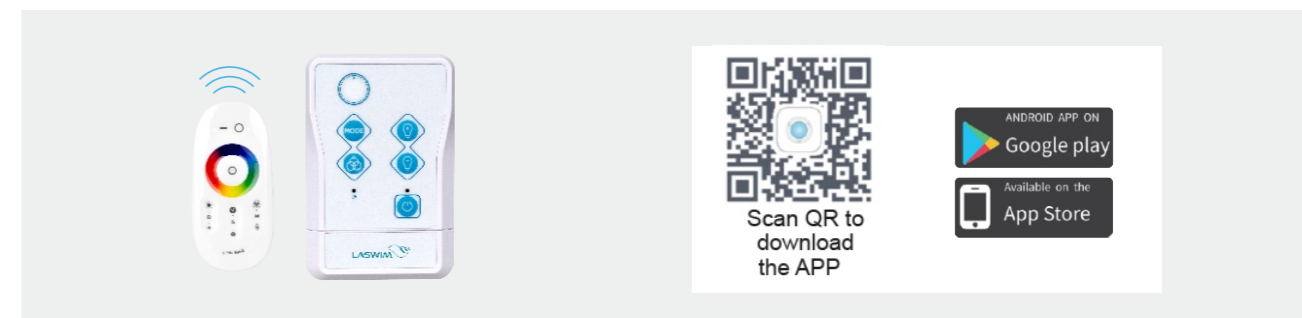
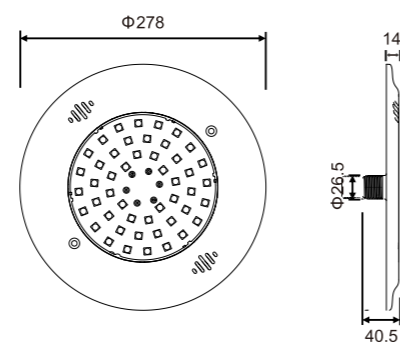
Main features:

- Wide beam angle up to 130° to avoid glare.
- Constant current driving mode.
- Supports AC12V/DC12-24V safe low-voltage power supply, providing you with stronger selectivity and wider adaptability.
- Lifespan: 50,000 hours.
- Operating temperature: 0-45°C.
- Color rendering Index: 80 (RGB).



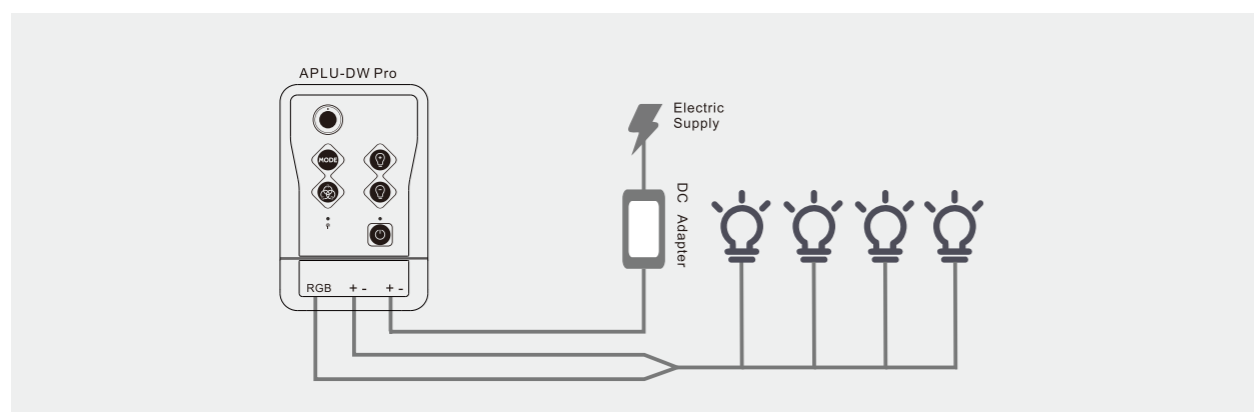
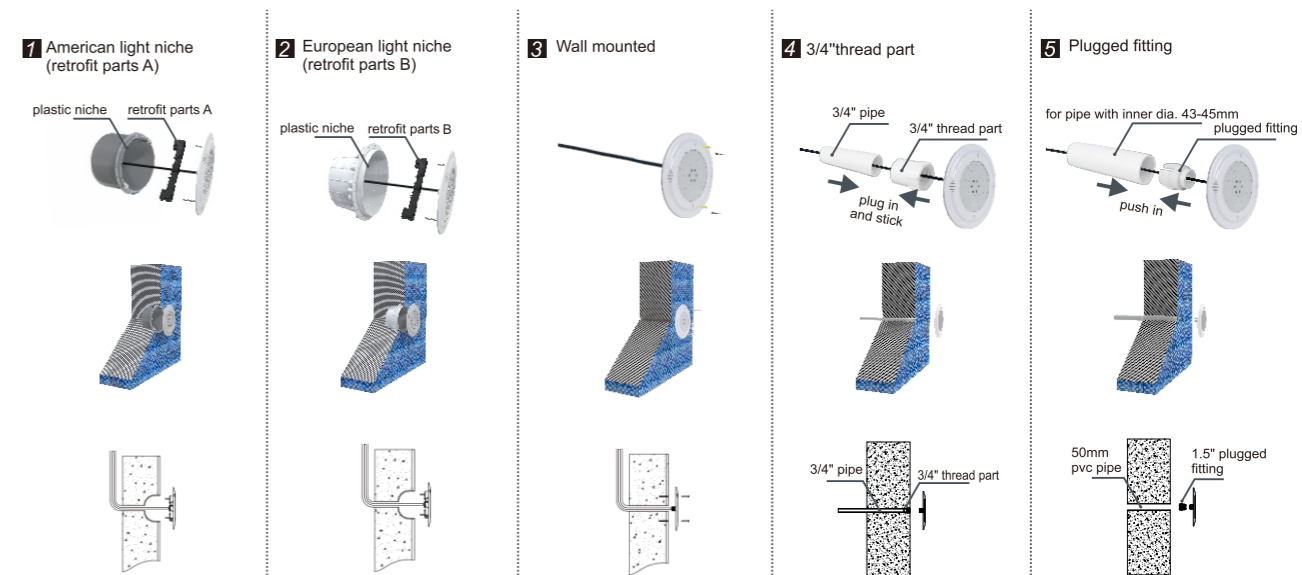
RGB control method

- WL-APLU-DW control system: control panel+remote controller, Wifi 2.4G, 433 MHZ (12V/AC or 12-24V/DC power input).
- WL-APLU-DW-PRO control system: Wifi+App control, you can adjust the brightness, working mode, timing setting, color change through the mobile phone, and the light color changes with the rhythm of the music. (Compatible with Android and iOS systems).
- ON/OFF control: (12V/AC power input).
- WL-YAQ control: with remote controller(12V/AC power input).



Installation method

- Wall-mounted with kit.
- Retrofit parts for niche light, fit for European or American niche.



TECHNICAL DATA

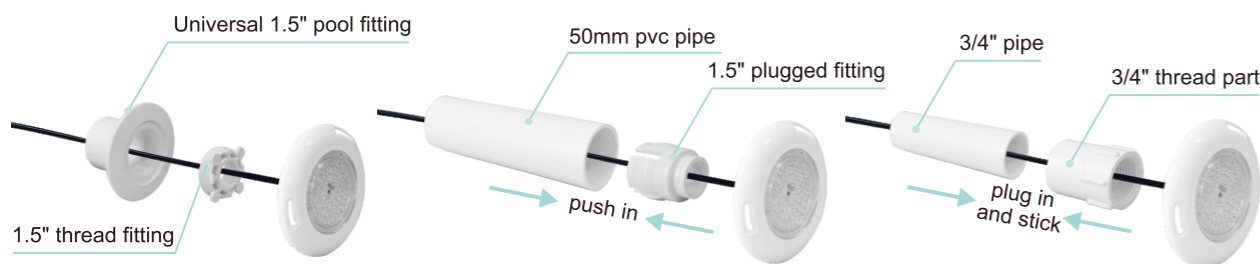
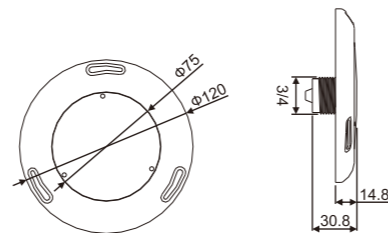
Item code	Face ring	Power (watts)	Power supply (v)	Number of leds	Colour	Lumination flux
WL-PT-024JTB	ABS	24 watts	AC12V/DC12-24V	48	Cool/Warm white	1750 Lm
WL-PTS-024JTB	Stainless steel 304	24 watts	AC12V/DC12-24V	48	Cool/Warm white	1750 Lm
WL-PT-024JTC	ABS	24 watts	AC12V	48	RGB	980 Lm
			DC12-24V	48	RGB	980 Lm
WL-PTS-024JTC	Stainless steel 304	24 watts	AC12V	48	RGB	980 Lm
			DC12-24V	48	RGB	980 Lm

WL-LA



Main features:

- Ultra-thin design, perfectly integrated with the pool wall.
- Very convenient installation, directly insert into 3/4" pipe or 1.5" water inlet.
- Four-core wire stepless dimming remote control technology can achieve hundreds of color changes.
- Suitable for all kinds of pools using.



TECHNICAL DATA

Model	Power (W)	Voltage (V)	LED QTY	Light source	Color	Lumination flux	Installation type
WL-LA-LED063JTB	6W	AC/DC 12V	63	SMD LED	Cool white	483	Wall mounted & Wall Recessed
WL-LA-LED063JTW	6W	AC/DC 12V	63	SMD LED	Warm white	483	
WL-LA-LED063JTC	6W	AC/DC 12V	63	SMD LED	RGB	155	

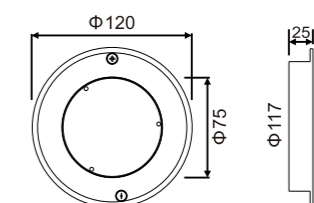


WL-LAS



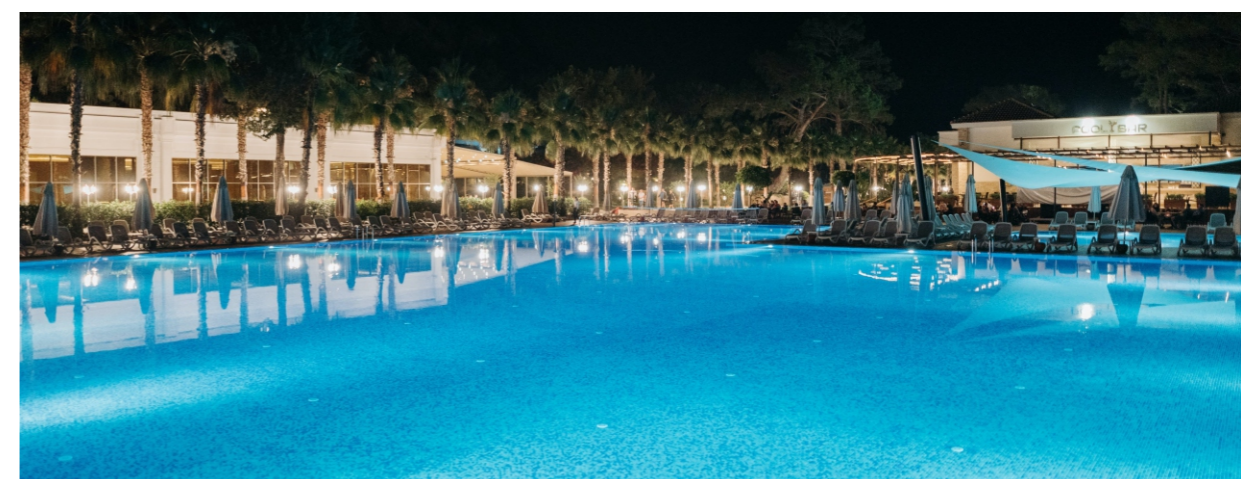
Features:

- Ultra-thin design, perfectly integrated with the pool wall, only 3mm away from pool wall.
- The recessed light housing can be directly embedded into the decorative layer of the pool wall, 25mm only.
- Default 9-color mode: It's available to work with normal switch AC12V, Laswim YAQ control system and Applume APLU-DW control system with wifi 2.4G, 433MHz wireless high frequency technology.
- Stainless steel 304 light, corrosion resistant, plastic niche.
- Safety low voltage: AC12V, or DC12V for customized.
- Waterproof standard: IP68.
- 2 meters cable.



TECHNICAL DATA

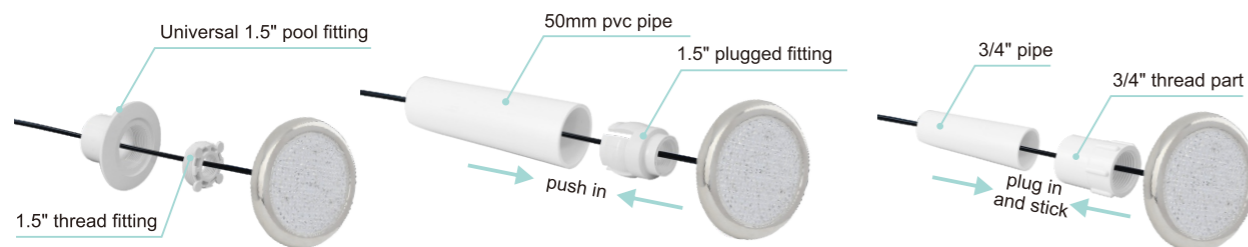
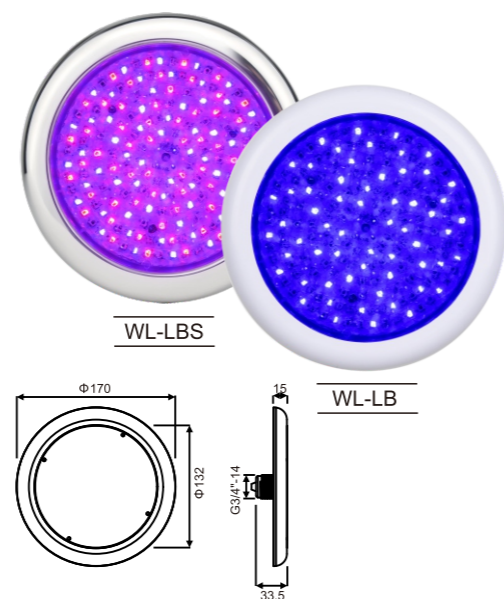
Model	Power (W)	Voltage (V)	LED QTY	Color	Lumination flux
WL-LAS-LED009JTBS	9	AC12V	63	White	980
WL-LAS-LED009JTCS	9	AC12V	63	RGB	270
WL-LAS-LED012JTBS	12	AC12V	63	White	1200
WL-LAS-LED012JTCS	12	AC12V	63	RGB	360
WL-LAS-LED015JTBS	15	AC12V or DC12V	3	White	1300
WL-LAS-LED015JTCS	15	AC12V or DC12V	3	RGB	390



WL-LB/LBS

Features:

- Ultra-thin design, perfectly integrated with the pool wall.
- The 3/4" thread allows you to easily install it into different types of pools.
- Safety low voltage: 12VAC, DC12-24V.
- White LED light color rendering index of up to 84, high light efficiency and high light color consistency.
- Default 9-color mode: It's available to work with normal switch 12Vac, Laswim YAQ control system and Applume APLU-DW control system with wifi 2.4G, 433MHz wireless high frequency technology.
- Plastic face ring and stainless steel face ring are available.
- Light beam: 120°.
- The average LED life span exceeds 50,000 hours.
- Protection rating: IP68.
- 3 meters cable

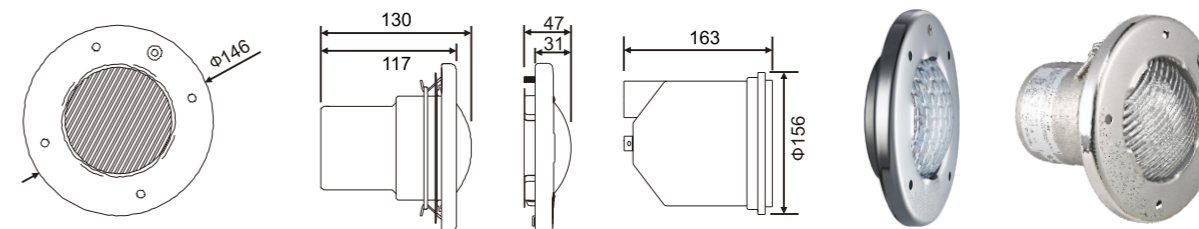


TECHNICAL DATA

REF	Power (W)	Voltage (V)	Number Of Leds	Luminous flux	Color Render Index	Color	Operating Temperature Max.
WL-LB-LED009JTB	9W	AC12V / DC12-24V	117	973	84	WHITE	UP TO 45°C
WL-LB-LED009JTC	9W	AC12V	117	500	--	RGB	
WL-LB-LED012JTB	12W	AC12V / DC12-24V	117	1182	84	WHITE	
WL-LB-LED012JTC	12W	AC12V	117	600	--	RGB	
WL-LB-LED018JTB	18W	AC12V / DC12-24V	171	1729	84	WHITE	
WL-LB-LED018JTC	18W	AC12V	171	900	--	RGB	
WL-LBS-LED009JTB	9W	AC12V / DC12-24V	117	973	84	WHITE	
WL-LBS-LED009JTC	9W	AC12V	117	500	--	RGB	
WL-LBS-LED012JTB	12W	AC12V / DC12-24V	117	1182	84	WHITE	
WL-LBS-LED012JTC	12W	AC12V	117	600	--	RGB	
WL-LBS-LED018JTB	18W	AC12V / DC12-24V	171	1729	84	WHITE	
WL-LBS-LED018JTC	18W	AC12V	171	900	--	RGB	

WL-QB

QB series features stainless steel material, non-corrosive and well cooling operation, tempered glass lens increase transparency and compatible to American and European niches. It's very simple to install in concrete pool.



TECHNICAL DATA

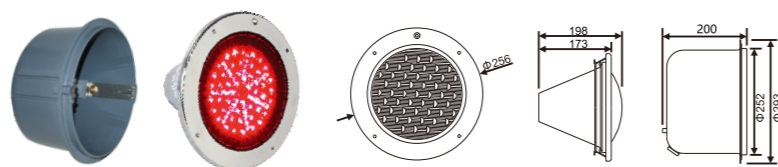
Model	Power (W)	Voltage (V)	LED QTY	Light source	Color	Lumination flux	Installation type
WL-QB-LED108JTB	12W	12-20V	108	Wide voltage	White color	2150	Housing type
WL-QB-LED108JTC	12W	12-20V	108	Wide voltage	RGB	1500	Housing type
WL-QBG-LED012PB	12W	12V	12	Resin filled	White color	885	Housing type
WL-QBG-LED012PC	12W	12V	12	Resin filled	RGB	200	Housing type
WL-QBG-LED072TB	6W	12V	72	Resin filled	White color	255	Housing type
WL-QBG-LED072TC	6W	12V	72	Resin filled	RGB	90	Housing type
WL-QBG-LED144TB	12W	12V	144	Resin filled	White color	455	Housing type
WL-QBG-LED144TC	12W	12V	144	Resin filled	RGB	110	Housing type
WL-QB-LED072BB	6W	12V	72	Standard DIP LED	White color	150	Housing type
WL-QB-LED072BC	6W	12V	72	Standard DIP LED	RGB	88	Housing type
WL-QB-LED009PB	9W	12V	9	High power	White color	580	Housing type
WL-QB-LED009PC	9W	12V	9	High power	RGB	130	Housing type
WL-QB-LED012PB	12W	12V	12	High power	White color	885	Housing type
WL-QB-LED012PC	12W	12V	12	High power	RGB	200	Housing type
WL-QBP100	100W	12V	E27 light bulb, tempered glass lens		----	----	Housing type
WL-QBC100	100W	12V	Lamp cup, tempered glass lens		----	----	Housing type

WL-QD



Main features:

- Material: stainless steel, non-corrosive.
- Tempered glass lens increases transparency.
- High efficient, low heat LED board and control board, low power consumption.
- Compatible to American and European niches.
- Different lamp available: LED lamp and E27 bulb.



TECHNICAL DATA

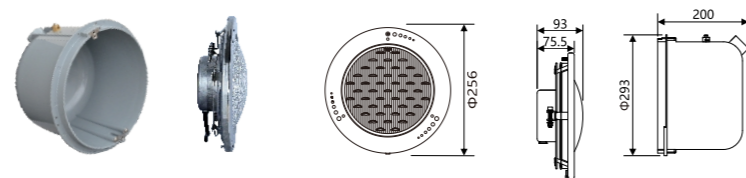
Model	Power(W)	Voltage(V)	LED QTY	Light source	Color	Lumination (lux)	Installation type
WL-QD-LED144BB	12W	AC 12V	144	Standard DIP LED	White color	302	Housing type
WL-QD-LED144BC	12W	AC 12V	144	Standard DIP LED	RGB	168	Housing type
WL-QD-LED252BB	18W	AC 12V	252	Standard DIP LED	White color	530	Housing type
WL-QD-LED252BC	18W	AC 12V	252	Standard DIP LED	RGB	257	Housing type
WL-QDP300	300W	AC 12V	E27 bulb, toughened glass		---	---	Housing type

WL-QG



LASWIM QG series light is a high power series light, and features stainless steel material with good heat dissipation and tempered glass lens to increase transparency and super brightness. There are different lamp sources available: variable voltage LED lamp, DIP LED lamp and SMD led lamp.

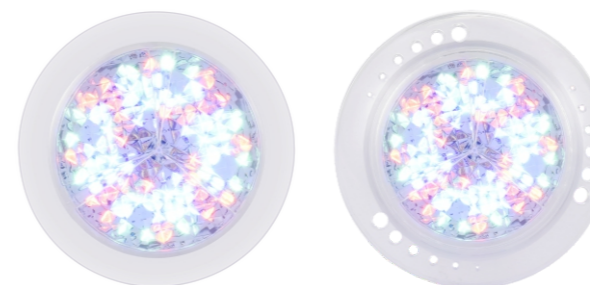
Compatible to American and European niches.



TECHNICAL DATA

Model	Power(W)	Voltage(V)	LED QTY	Light source	Color	Lumination flux	Installation type
WL-QGB-LED216JTB	24W	AC 12-20V	216	Wide voltage	White color	1420	Housing type
WL-QGB-LED216JTC	24W	AC 12-20V	216	Wide voltage	RGB	522	Housing type
WL-QGB-LED012PB	12W	AC 12V	12	High power	White color	885	Housing type
WL-QGB-LED012PC	12W	AC 12V	12	High power	RGB	200	Housing type
WL-QGB-LED024PB	24W	AC 12V	24	High power	White color	1300	Housing type
WL-QGB-LED024PC	24W	AC 12V	24	High power	RGB	352	Housing type
WL-QGB-LED036PB	36W	AC 12V	36	High power	White color	1395	Housing type
WL-QGB-LED036PC	36W	AC 12V	36	High power	RGB	410	Housing type
WL-QGB-LED024JTB	24W	AC 12V	72	SMD LED	White color	1240	Housing type
WL-QGB-LED024JTC	24W	AC 12V	72	SMD LED	RGB	375	Housing type

WL-QH/QI

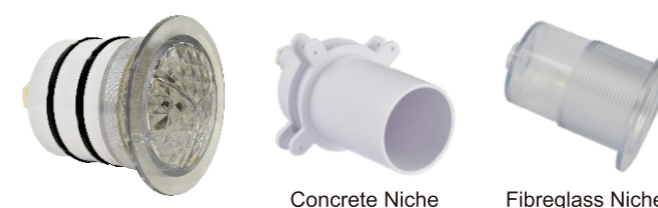


WL-QH

WL-QI

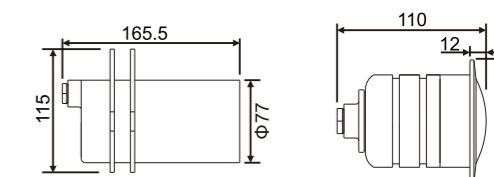
Main features:

- Safety low voltage: AC12V.
- Standard cable: 2.0meter.
- Waterproof standard: IP68.
- Color: cool white, warm white, RGB and single blue.
- RGB mode features 19 pre-programmed lighting patterns.
- QHB/QIB: for concrete pool with housing.
- QHT/QIT: for fiberglass pool, stainless steel pool.



Concrete Niche

Fibreglass Niche



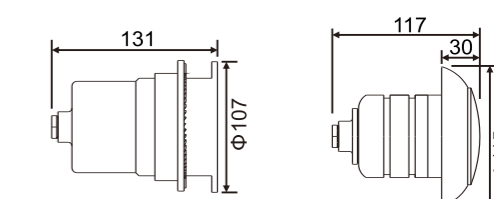
TECHNICAL DATA

Model	Power(W)	Voltage(V)	LED QTY	Light source	Color	Lumination flux	Installation type
WL-QHB-LED036HB	3W	AC 12V	36	High quality DIP LED	White color	95	Concrete pool
WL-QHB-LED036HC	3W	AC 12V	36	High quality DIP LED	RGB	42	Concrete pool
WL-QHT-LED036HB	3W	AC 12V	36	High quality DIP LED	White color	95	Fiberglass pool
WL-QHT-LED036HC	3W	AC 12V	36	High quality DIP LED	RGB	42	Fiberglass pool



Concrete Niche

Fibreglass Niche



TECHNICAL DATA

Model	Power(W)	Voltage(V)	LED QTY	Light source	Color	Lumination flux	Installation type
WL-QIB-LED072HB	6W	AC 12V	72	High quality DIP LED	White color	188	Concrete pool
WL-QIB-LED072HC	6W	AC 12V	72	High quality DIP LED	RGB	70	Concrete pool
WL-QIT-LED072HB	6W	AC 12V	72	High quality DIP LED	White color	188	Fiberglass pool
WL-QIT-LED072HC	6W	AC 12V	72	High quality DIP LED	RGB	70	Fiberglass pool

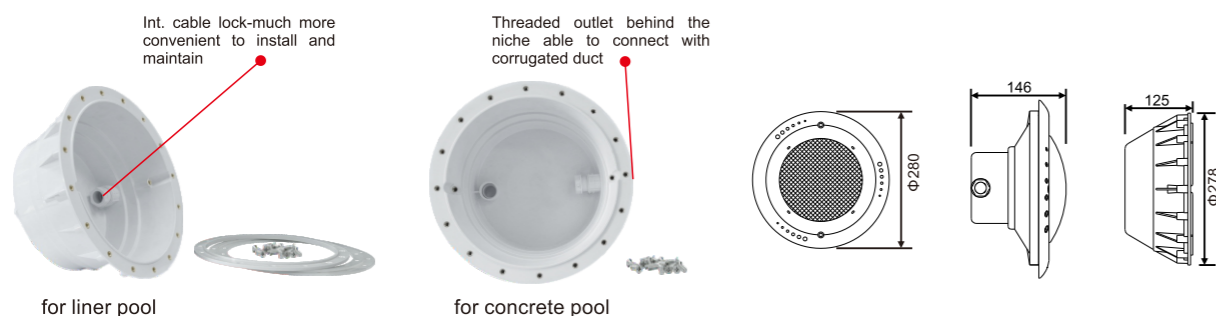
WL-QJ



Built-in remote control system let you to manage your pool more convenient and easily.
(Optional)

Main features:

- Standard PAR56 lamp install into standard PAR56 niche of QJ series underwater light, with high brightness and strong luminosity.
- Curved PC lens expands the light refraction, and the crystal lens brings high brightness.
- Different LED lamps in option.
- Compatible with all pools



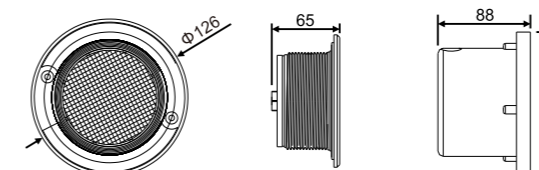
TECHNICAL DATA

Model	Power (W)	Voltage (V)	LED QTY	Light source	Color	Lumination flux	Installation type	Optional remote control
WL-QJ-LED144BB	12W	AC12V	144	Standard DIP LED	White color	302	<input type="checkbox"/> Housing type for concrete pool with niche <input type="checkbox"/> For fiberglass pool installation <input type="checkbox"/> For different liner pool installation	×
WL-QJ-LED144BC	12W	AC12V	144	Standard DIP LED	RGB	168		√
WL-QJ-LED252BB	18W	AC12V	252	Standard DIP LED	White color	530		×
WL-QJ-LED252BC	18W	AC12V	252	Standard DIP LED	RGB	257		√
WL-QJ-LED018JTB	18W	AC12V	54	SMD LED	White color	1185		×
WL-QJ-LED018JTC	18W	AC12V	54	SMD LED	RGB	245		√
WL-QJ-LED024JTB	24W	AC12V	72	SMD LED	White color	1240		×
WL-QJ-LED024JTC	24W	AC12V	72	SMD LED	RGB	375		√
WL-QJ-LED162JTB	18W	AC12-20V	162	Wide voltage	White color	1500		×
WL-QJ-LED162JTC	18W	AC12-20V	162	Wide voltage	RGB	970		×
WL-QJ-LED216JTB	24W	AC12-20V	216	Wide voltage	White color	2150		×
WL-QJ-LED216JTC	24W	AC12-20V	216	Wide voltage	RGB	1500		×
WL-QJ-LED216HTB	35W	AC12-20V	216	Wide voltage	White color	2580		×
WL-QJ-LED216HTC	35W	AC12-20V	216	Wide voltage	RGB	1800		×
WL-QJ-LED16PC	18W	DC12V	16	SMD LED	RGBW	1380		×
WL-QJP300	300W	AC12V	----	PAR56 halogen lamp	----	----		×

WL-QMC/QNV

Main features:

- Safety low voltage: AC12V.
- Standard cable: 2.0meter.
- Waterproof standard: IP68.
- Color: cool white, warm white, RGB and single blue.
- RGB mode features 19 pre-programmed lighting patterns.
- Installation mode: Housing type and above ground pool.



WL-QMC
Concrete pool light

WL-QNV
Fiberglass pool

TECHNICAL DATA

Model	Power(W)	Voltage(V)	LED QTY	Light source	Color	Lumination flux	Installation type
WL-QMC-LED036HB	3W	AC12V	36	High quality DIP LED	White color	95	Concrete pool
WL-QMC-LED036HC	3W	AC12V	36	High quality DIP LED	RGB	42	Concrete pool
WL-QMC-LED072HB	6W	AC12V	72	High quality DIP LED	White color	188	Concrete pool
WL-QMC-LED072HC	6W	AC12V	72	High quality DIP LED	RGB	70	Concrete pool
WL-QNV-LED036HB	3W	AC12V	36	High quality DIP LED	White color	95	Fiberglass pool
WL-QNV-LED036HC	3W	AC12V	36	High quality DIP LED	RGB	42	Fiberglass pool
WL-QNV-LED072HB	6W	AC12V	72	High quality DIP LED	White color	188	Fiberglass pool
WL-QNV-LED072HC	6W	AC12V	72	High quality DIP LED	RGB	70	Fiberglass pool

WL-QQC

QQC mode light is an ultra-thin series light with niche for concrete pool installation. Its smooth front plate provides simplicity yet elegant.

Main features:

- Material: ABS body+stainless steel base.
- Standard cable: 2.0meters.
- Waterproof: IP68.
- Installation mode: Housing type for concrete pool.
- Color: cool white, warm white, RGB and single blue.
- RGB mode features 19 pre-programmed lighting patterns.
- Color temperature: cool white 6000K, warm white 3000K.



TECHNICAL DATA

Model	Power(W)	Voltage(V)	LED QTY	Light source	Color	Lumination flux	Installation type
WL-QQC-LED012PB	12W	AC12V	12	High power	White color	885	Housing type
WL-QQC-LED012PC	12W	AC12V	12	High power	RGB	200	Housing type
WL-QQC-LED024PB	24W	AC12V	24	High power	White color	1300	Housing type
WL-QQC-LED024PC	24W	AC12V	24	High power	RGB	352	Housing type
WL-QQC-LED036PB	36W	AC12V	36	High power	White color	1395	Housing type
WL-QQC-LED036PC	36W	AC12V	36	High power	RGB	410	Housing type

WL-QSG

QSG series is stainless steel LED light with simplicity and elegant design, anti-corrosive and well cooling operation. This ultra thin niche is designed to fit any pool structure with a thin concrete wall.

Features:

- Low voltage: AC12V & AC12-20V(variable voltage).
- Low power consumption, low heat while working.
- High brightness, strong light transmission.
- IP 68 waterproof standard.



Very convenient wiring

Classic and ultra niches are available to mount QSG light.



Ultra thin niche (standard)

Classic niche (Optional)

TECHNICAL DATA

Model	Power(W)	Voltage(V)	LED QTY	Light source	Color	Lumination flux	Installation type
WL-QSG-LED072TB	6W	AC 12V	72	Resin filled	White color	255	Housing type
WL-QSG-LED072TC	6W	AC 12V	72	Resin filled	RGB	90	Housing type
WL-QSG-LED144TB	12W	AC 12V	144	Resin filled	White color	455	Housing type
WL-QSG-LED144TC	12W	AC 12V	144	Resin filled	RGB	110	Housing type
WL-QSG-LED252TB	18W	AC 12V	252	Resin filled	White	885	Housing type
WL-QSG-LED252TC	18W	AC 12V	252	Resin filled	RGB	255	Housing type
WL-QSG-LED324TB	24W	AC 12V	324	Resin filled	White	1075	Housing type
WL-QSG-LED324TC	24W	AC 12V	324	Resin filled	RGB	355	Housing type
WL-QSG-LED162JTB	18W	AC 12-20V	162	Resin filled	White color	1370	Housing type
WL-QSG-LED162JTC	18W	AC 12-20V	162	Resin filled	RGB	880	Housing type
WL-QSG-LED216JTB	24W	AC 12-20V	216	Resin filled	White color	1950	Housing type
WL-QSG-LED216JTC	24W	AC 12-20V	216	Resin filled	RGB	1300	Housing type

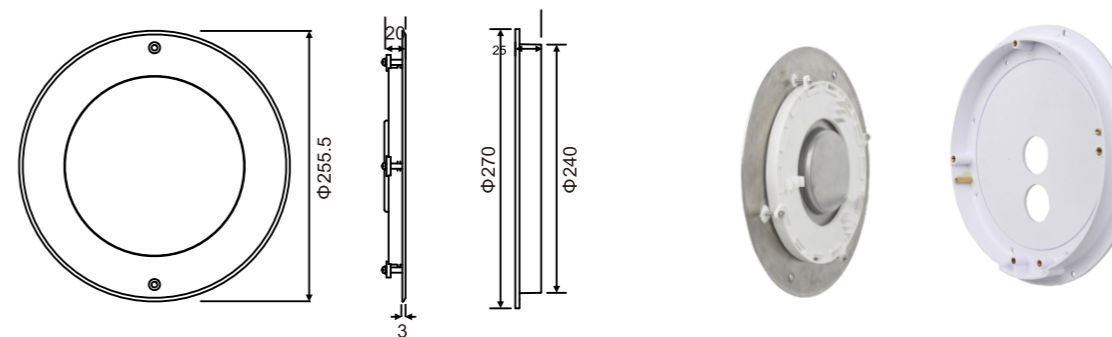
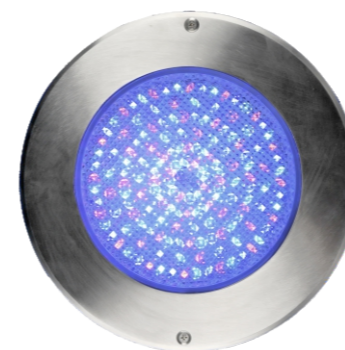
WL-QSG.2 Non-resin filled LED

Model	Power(W)	Voltage(V)	LED QTY	Light source	Color	Lumination flux	Installation type
WL-QSG.2-LED162JTB	18W	AC 12-20V	162	Wide voltage	White color	1500	Housing type
WL-QSG.2-LED162JTC	18W	AC 12-20V	162	Wide voltage	RGB	970	Housing type
WL-QSG.2-LED216JTB	24W	AC 12-20V	216	Wide voltage	White color	2150	Housing type
WL-QSG.2-LED216JTC	24W	AC 12-20V	216	Wide voltage	RGB	1500	Housing type
WL-QSG.2-LED216HTB	35W	AC 12-20V	216	Wide voltage	White color	2580	Housing type
WL-QSG.2-LED216HTC	35W	AC 12-20V	216	Wide voltage	RGB	1800	Housing type

WL-QTS

Features:

- Ultra-thin design, perfectly integrated with the pool wall, only 3mm away from pool wall.
- The recessed light housing can be directly embedded into the pool wall, 25mm only. Default 9-color mode: It's available to work with normal switch AC12V, Laswim YAQ control system and Applume APLU-DW control system with wifi 2.4G, 433MHz wireless high frequency technology.
- Stainless steel 304 light, cooling fast, corrosion resistant, plastic niche.
- Safety low voltage: AC12V
- Waterproof standard: IP68.
- 2 meters cable.

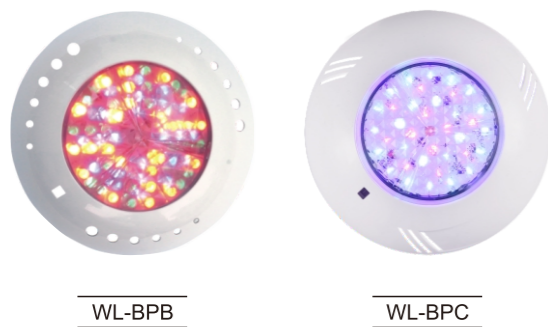


TECHNICAL DATA

Model	Power (W)	Voltage (V)	Number of LEDs	Color	Lumination flux
WL-QTS-LED162JTB	55W	AC 12V	162	White	3900
WL-QTS-LED162JTC	55W	AC 12V	162	RGB	860

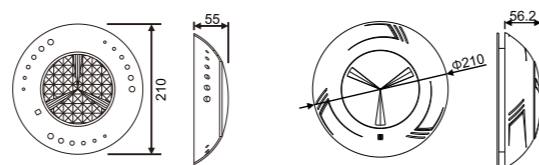


WL-BPB/BPC



Main features:

- Material: anti-UV ABS.
- Safety low voltage: AC12V.
- Installation mode: wall-mounted type.
- Color: cool white, warm white, RGB and single blue.
- Color temperature: cool white 6000K, warm white: 3000K.



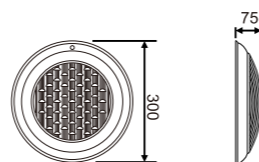
TECHNICAL DATA

Model	Power(W)	Voltage(V)	LED QTY	Light source	Color	Lumination flux	Installation type
WL-BPB-LED072BB	6W	AC12V	72	Standard DIP LED	White color	150	Wall mounted type
WL-BPB-LED072BC	6W	AC12V	72	Standard DIP LED	RGB	88	Wall mounted type
WL-BPC-LED006JTB	6W	AC12V	18	SMD LED	White color	485	Wall mounted type
WL-BPC-LED006JTC	6W	AC12V	18	SMD LED	RGB	85	Wall mounted type
WL-BPC-LED012JTB	12W	AC12V	36	SMD LED	White color	903	Wall mounted type
WL-BPC-LED012JTC	12W	AC12V	36	SMD LED	RGB	215	Wall mounted type

WL-PA



Laswim PA series lights features stainless steel material with gliding and elegant design and good heat radiation. Nicheless flat light directly to mount to pool wall with bracket plate, simple and convenient. PC and tempered glass lens are available to select in this series lights.



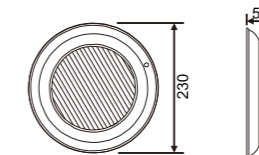
TECHNICAL DATA

Model	Power(W)	Voltage(V)	LED QTY	Light source	Color	Lumination flux	Installation type
WL-PA-LED252BB	18W	AC12V	252	Standard DIP LED	White color	530	Wall mounted type
WL-PA-LED252BC	18W	AC12V	252	Standard DIP LED	RGB	257	Wall mounted type
WL-PA-LED012PB	12W	AC12V	12	High power	White color	885	Wall mounted type
WL-PA-LED012PC	12W	AC12V	12	High power	RGB	200	Wall mounted type
WL-PA-LED024PB	24W	AC12V	24	High power	White color	1300	Wall mounted type
WL-PA-LED024PC	24W	AC12V	24	High power	RGB	352	Wall mounted type
WL-PA-LED036PB	36W	AC12V	36	High power	White color	1395	Wall mounted type
WL-PA-LED036PC	36W	AC12V	36	High power	RGB	410	Wall mounted type
WL-BPA100	100W	AC12V	Lamp bead and toughened glass lens	---	---	---	Wall mounted type
WL-BPA150	150W	AC12V	Lamp bead and toughened glass lens	---	---	---	Wall mounted type
WL-BPC150	150W	AC12V	Lamp bead and pc lens	---	---	---	Wall mounted type

WL-PE

Main features:

- Material: Stainless steel.
- Lens: PC.
- Safety low voltage: AC12V.
- Installation mode: wall-mounted type.
- Color: cool white, warm white, RGB and single blue.
- Cable: 2.0meters.

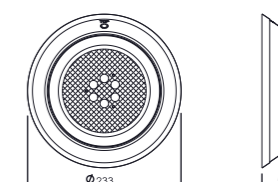


TECHNICAL DATA

Model	Power(W)	Voltage(V)	LED QTY	Light source	Color	Lumination flux	Installation type
WL-PE-LED072BB	6W	AC12V	72	Standard DIP LED	White color	150	Wall mounted type
WL-PE-LED072BC	6W	AC12V	72	Standard DIP LED	RGB	88	Wall mounted type
WL-PE-LED144BB	12W	AC12V	144	Standard DIP LED	White color	302	Wall mounted type
WL-PE-LED144BC	12W	AC12V	144	Standard DIP LED	RGB	168	Wall mounted type
WL-PE-LED252BB	18W	AC12V	252	Standard DIP LED	White color	500	Wall mounted type
WL-PE-LED252BC	18W	AC12V	252	Standard DIP LED	RGB	245	Wall mounted type
WL-PE-LED006JTB	6W	AC12V	18	SMD LED	White color	485	Wall mounted type
WL-PE-LED006JTC	6W	AC12V	18	SMD LED	RGB	85	Wall mounted type
WL-PE-LED012JTB	12W	AC12V	36	SMD LED	White color	903	Wall mounted type
WL-PE-LED012JTC	12W	AC12V	36	SMD LED	RGB	215	Wall mounted type
WL-BPE075	75W	AC12V	Lamp bead and PC lens	---	---	---	Wall mounted type
WL-BPE100	100W	AC12V	Lamp bead and PC lens	---	---	---	Wall mounted type

Main features:

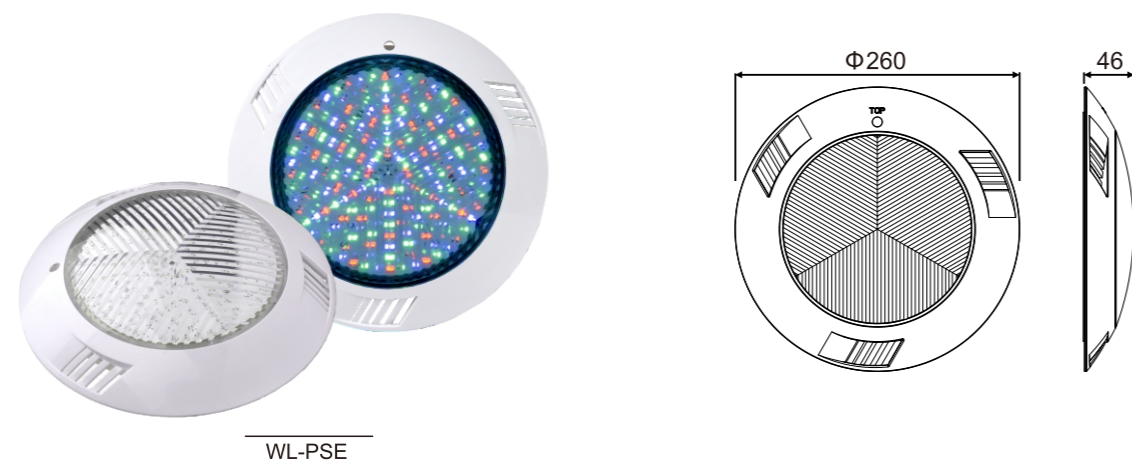
- Stainless steel, non-corrosion and well cooling operation.
- Light source: 12W SMD led light+ 6W high power LED light.
- No flicker, high purify, soft light, no glare.
- High brightness (high lumen), strong light transmission.
- Low power consumption, low heat while working.
- Wall-mounted type, easy to install.
- Safety low voltage: AC 12-20V.
- IP68 waterproof standard.
- Color: cool white, warm white, RGB mixing



TECHNICAL DATA

Model	Power(W)	Voltage(V)	LED QTY	Light source	Color	Lumination flux
WL-PE-LED87JTBW	18W	AC12-20V	87	81pcs SMD leds white color, 6pcs high power leds white color	White color	1500
WL-PE-LED87JTCW	18W	AC12-20V	87	81pcs SMD leds RGB color, 6pcs high power leds white color	RGB+white	900

WL-PSE



Features:

- Wall-mounted, easy to install.
- High brightness, large lumen, strong light transmission.
- Safety low voltage: 12VAC, DC12-24V.
- White LED light color rendering index of up to 84, high light efficiency and high light color consistency.
- Intelligent control: Equipped with Bluetooth wireless connection function, which can be easily used through mobile APP and wireless remote control.
- Light beam: 120°.
- The average LED life span exceeds 50,000 hours.
- Protection rating: IP68.

TECHNICAL DATA

REF	Power	Voltage	Number of Leds	Luminous flux	Color render Index	Light mode	Operating Temperature max.
WL-PSE-LED018JTB	18W	AC12V / DC12-24V	171	1890	84	WHITE	UP TO 45°C
WL-PSE-LED018JTC	18W	AC12V	171	1040	----	RGB	
WL-PSE-LED018JTCD	18W	AC12V / DC12-24V	171	1040	----	Dimming mode	
WL-PSE-LED024JTB	24W	AC12V / DC12-24V	234	2760	84	WHITE	
WL-PSE-LED024JTC	24W	AC12V	234	1250	----	RGB	
WL-PSE-LED024JTCD	24W	AC12V / DC12-24V	234	1250	----	Dimming mode	

Note:

- Default 9-color mode: It's available to work with normal switch 12Vac, Laswim YAQ control system and Applume APLU-DW control system with wifi 2.4G, 433MHz wireless high frequency technology.
- Dimming mode: People can use control LED though remote controller or mobile App to switch LED color, brightness, dimming mode and automatic color synchronization.

WL-PS/PSC

Main feature:

- Flat LED light, wall-mounted, easy to install.
- With mounting accessories able to install in above ground pool.
- Safety low voltage: AC12V/AC12-20V.
- Different lamp source bring you different effect.
- The built-in remote control allows you to manage your swimming pool more conveniently and easily.
- Waterproof standard: IP68.



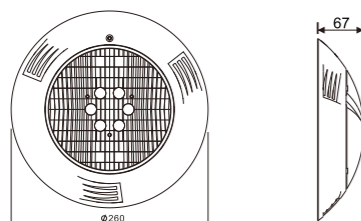
TECHNICAL DATA

Model	Power (W)	Voltage (V)	LED QTY	Light source	Color	Lumination flux	Installation type	Optional remote control
WL-PS-LED216JTB	24W	AC12V-20V	216	Wide voltage	White color	2150	Wall mounted type & Above ground pool	×
WL-PS-LED216JTC	24W	AC12V-20V	216	Wide voltage	RGB	1500	Wall mounted type & Above ground pool	×
WL-PSC-LED216JTB	24W	AC12V-20V	216	Wide voltage	White color	2150	Wall mounted type & Above ground pool	×
WL-PSC-LED216JTC	24W	AC12V-20V	216	Wide voltage	RGB	1500	Wall mounted type & Above ground pool	×
WL-PS-LED072BB	6W	AC 12V	72	Standard DIP LED	White color	150	Wall mounted type & Above ground pool	×
WL-PS-LED072BC	6W	AC 12V	72	Standard DIP LED	RGB	88	Wall mounted type & Above ground pool	√
WL-PS-LED144BB	12W	AC 12V	144	Standard DIP LED	White color	302	Wall mounted type & Above ground pool	×
WL-PS-LED144BC	12W	AC 12V	144	Standard DIP LED	RGB	168	Wall mounted type & Above ground pool	√
WL-PS-LED252BB	18W	AC 12V	252	Standard DIP LED	White color	530	Wall mounted type & Above ground pool	×
WL-PS-LED252BC	18W	AC 12V	252	Standard DIP LED	RGB	257	Wall mounted type & Above ground pool	√
WL-PS-LED018JTB	18W	AC 12V	54	SMD LED	White color	1185	Wall mounted type & Above ground pool	×
WL-PS-LED018JTC	18W	AC 12V	54	SMD LED	RGB	245	Wall mounted type & Above ground pool	√
WL-PSC-LED018JTB	18W	AC 12V	54	SMD LED	White color	1185	Wall mounted type & Above ground pool	×
WL-PSC-LED018JTC	18W	AC 12V	54	SMD LED	RGB	245	Wall mounted type & Above ground pool	√
WL-BPS075	75W	AC 12V		Lamp bead	----	----	Wall mounted type & Above ground pool	----
WL-BPS100	100W	AC 12V		Lamp bead	----	----	Wall mounted type & Above ground pool	----

WL-PS

Main feature:

- Light source: 18W SMD led light+ 6W high power LED light.
- No flicker, high purify, soft light, no glare.
- High brightness (high lumen), strong light transmission.
- Low power consumption, low heat while working.
- Wall-mounted type, easy to install.
- Safety low voltage: AC 12-20V.
- IP68 waterproof standard.
- Color: cool white, warm white, RGB mixing



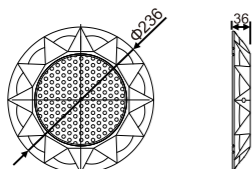
TECHNICAL DATA

Model	Power(W)	Voltage(V)	LED QTY	Light source	Color	Lumination flux
WL-PS-LED168JTBW	24W	AC 12-20V	168	162pcs SMD leds white color, 6pcs high power leds white color	White color	2100
WL-PS-LED168JTCW	24W	AC 12-20V	168	162pcs SMD leds RGB color, 6pcs high power leds white color	RGB+white	1400

WL-PQ

Main features:

- Material: ABS face ring+stainless steel base.(It's special made of stainless steel base much better heat radiation for high power lamp than other models.)
- Lamp source: big power led lamp.
- Installation mode: wall-mounted type .
- Color: cool white, warm white, RGB and single blue.
- RGB mode features 19 pre-programmed lighting patterns.
- Color temperature: cool white 6000K, warm white: 3000K.



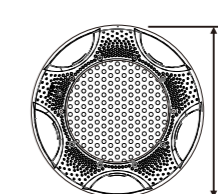
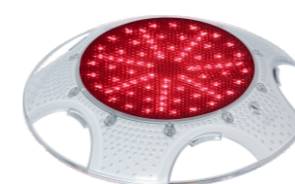
"PQ" SERIES LED FLAT UNDERWATER LIGHTS

Model	Power(W)	Voltage(V)	LED QTY	Light source	Color	Lumination lux	Installation type
WL-PQ-LED012PB	12W	AC 12V	12	High power	White color	885	Wall mounted type
WL-PQ-LED012PC	12W	AC 12V	12	High power	RGB	200	Wall mounted type
WL-PQ-LED024PB	24W	AC 12V	24	High power	White color	1300	Wall mounted type
WL-PQ-LED024PC	24W	AC 12V	24	High power	RGB	352	Wall mounted type
WL-PQ-LED036PB	36W	AC 12V	36	High power	White color	1395	Wall mounted type
WL-PQ-LED036PC	36W	AC 12V	36	High power	RGB	410	Wall mounted type

WL-PX

Main feature:

- Flat LED light, wall-mounted, easy to install.
- With mounting accessories able to install in above ground pool.
- Safety low voltage: AC12V/AC12-20V.
- Different lamp source bring you different effect.
- The built-in remote control allows you to manage your swimming pool more conveniently and easily.
- Waterproof standard: IP68.



Built-in remote control system let you to manage your pool more convenient and easily.

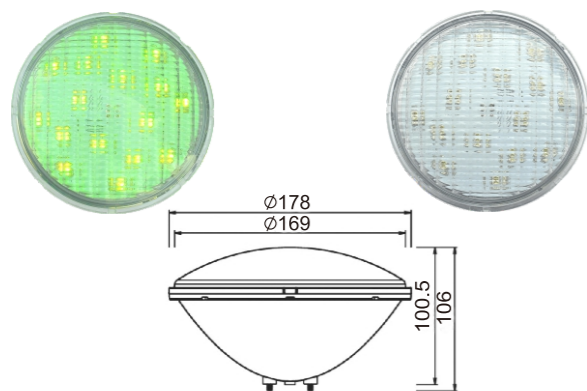
TECHNICAL DATA

Model	Power (W)	Voltage(V)	LED QTY	Light source	Color	Lumination lux	Installation type	Optional remote control
WL-PX-LED216JTB	24W	AC12V-20V	216	Wide voltage	White color	2150	Wall mounted type	×
WL-PX-LED216JTC	24W	AC12V-20V	216	Wide voltage	RGB	1500	Wall mounted type	×
WL-PX-LED072BB	6W	AC 12V	72	Standard DIP LED	White color	150	Wall mounted type	×
WL-PX-LED072BC	6W	AC 12V	72	Standard DIP LED	RGB	88	Wall mounted type	×
WL-PX-LED144BB	12W	AC 12V	144	Standard DIP LED	White color	302	Wall mounted type	×
WL-PX-LED144BC	12W	AC 12V	144	Standard DIP LED	RGB	168	Wall mounted type	×
WL-PX-LED252BB	18W	AC 12V	252	Standard DIP LED	White color	530	Wall mounted type	×
WL-PX-LED252BC	18W	AC 12V	252	Standard DIP LED	RGB	257	Wall mounted type	×
WL-PX-LED018JTB	18W	AC 12V	54	SMD LED	White color	1185	Wall mounted type	×
WL-PX-LED018JTC	18W	AC 12V	54	SMD LED	RGB	245	Wall mounted type	√

WL-PAR56

Main features:

- Standard PAR56 lamp install into standard PAR56 niche.
- Curved PC lens expands the light refraction, and the crystal lens brings high brightness.
- Different LED lamps in option.
- Monochrome and multicolor are available.



RGB and RGBW

- Common RGB LED bulbs are made by three colours of red, green and blue and create gradients, blinks and blending modes.
- RGBW contains four colors of red, green, blue and white, and expands to millions colours and changing modes to create natural cool white, warm white and infinity other colours

LED PAR56 BULBS

Model	Power (W)	Voltage (V)	LED QTY	Light source	Color	Lumination lux	Optional: remote control
WL-PAR-LED252BB	18W	AC12V	252	Standard DIP LED	White color	530	×
WL-PAR-LED252BC	18W	AC12V	252	Standard DIP LED	RGB	257	√
WL-PAR-LED012PB	12W	AC12V	12	High power LED	White color	885	×
WL-PAR-LED012PC	12W	AC12V	12	High power LED	RGB	200	×
WL-PAR-LED024PB	24W	AC12V	24	High power LED	White color	1300	×
WL-PAR-LED024PC	24W	AC12V	24	High power LED	RGB	352	×
WL-PAR-LED018JTB	18W	AC12V	54	SMD LED	White color	1185	×
WL-PAR-LED018JTC	18W	AC12V	54	SMD LED	RGB	245	√
WL-PAR-LED024JTB	24W	AC12V	72	SMD LED	White color	1240	×
WL-PAR-LED024JTC	24W	AC12V	72	SMD LED	RGB	375	√
WL-PAR-LED162JTB	18W	AC12V-20V	162	Wide voltage	White color	1500	×
WL-PAR-LED162JTC	18W	AC12V-20V	162	Wide voltage	RGB	970	×
WL-PAR-LED216JTB	24W	AC12V-20V	216	Wide voltage	White color	2150	×
WL-PAR-LED216JTC	24W	AC12V-20V	216	Wide voltage	RGB	1500	×
WL-PAR-LED216HTB	35W	AC12V-20V	216	Wide voltage	White color	2580	×
WL-PAR-LED216HTC	35W	AC12V-20V	216	Wide voltage	RGB	1800	×
WL-PAR-LED16PC	18W	DC12V	16	SMD LED	RGBW	1380	×

E27 LED LIGHT BULBS



E27 LED LIGHT BULBS

Model	Description	Power (W)	Voltage (V)	Lumination lux	Installation type
WL-LED072	Standard size E27 lamp with 72 leds, able to replace traditional 100W/300W incandescent lamp of light with niche	6W	AC 12V	150 (Cool/warm white) 88 (RGB)	Housing type
WL-LED144	Standard size E27 lamp with 144 leds, able to replace traditional 100W/300W incandescent lamp of light with niche	12W	AC 12V	302 (Cool/warm white) 168 (RGB)	Housing type
WL-LED252	Standard size E27 lamp with 252 leds, able to replace traditional 100W/300W incandescent lamp of light with niche	18W	AC 12V	530 (Cool/warm white) 257 (RGB)	Housing type



LASWIM APPLUME UNDERWATER LIGHT CONTROLLER

Laswim Applume underwater light controller provides flexible light control and is easy to operate and set up.

It supports multiple light mode switching and color brightness adjustment, and can also support music rhythm and scheduled tasks.

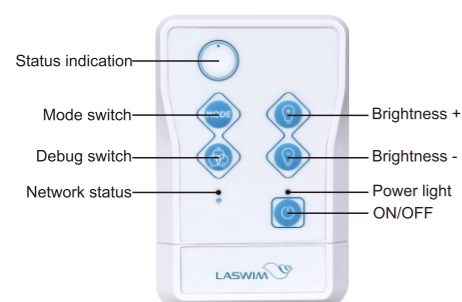
It is easy to install and can be used with Laswim underwater lights. Whether it is a family swimming pool or a landscape swimming pool, it can provide users with a satisfactory lighting control experience.



WL-APLU-DW Pro

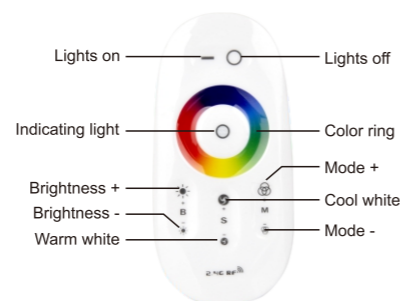
1. Control panel

You can control your light switches, modes, brightness, synchronization directly from the control box or remote controller.



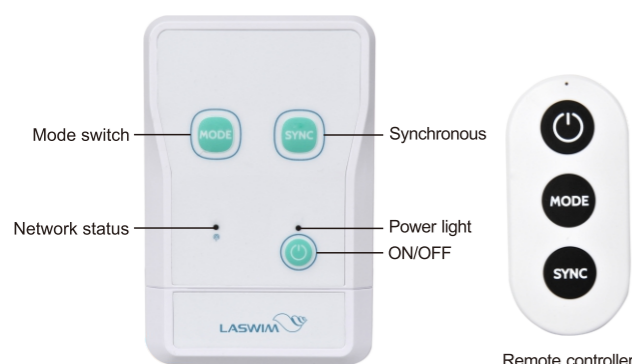
2. Remote control

Users can remotely control the underwater light through the mobile phone APP. Through the intelligent connection of 2.4G WIFI + Bluetooth technology, the operation is smooth and comfortable regardless of distance.



WL-APLU-DW

- Control panel and remote control are available to switch your pool lights, easy and convenient.
- Power input: AC12V, power output: AC12V.
- Water protection level: IP33

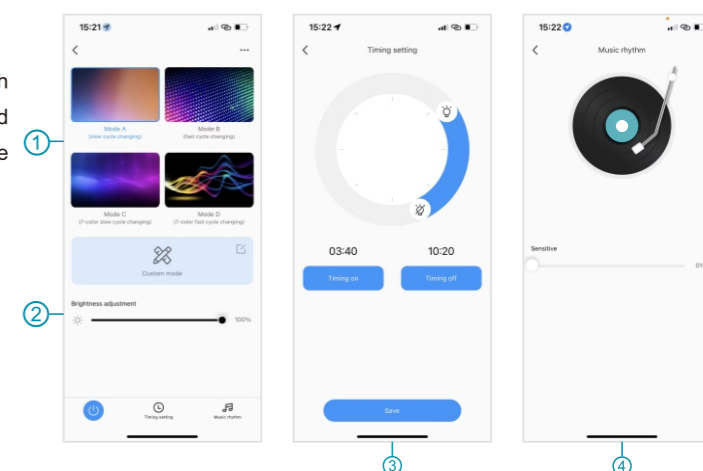


TECHNICAL DATA

Model	WL-APLU-DW Pro	WL-APLU-DW
Power input	AC12V or DC12-24V	AC12V
Current output	10A max.	PWM
Communication mode	WIFI (2.4G), 433MHz	WIFI (2.4G), 433MHz
Remote control distance	50M (no barrier)	30M (no barrier)
Product size	84.4×130×31.5mm	84.4×130×31.5mm
Working environment	-10°C-45°C/5%-95% RH	-10°C-45°C/5%-95% RH

3. Applume app control

You can also control your underwater lights through the app, which is more convenient. Search and download the free app "applume" to achieve intelligent remote control of the underwater lights.



Light mode switching

A variety of colorful lighting effects can be easily adjusted through the APP of smart devices, ie gradual changing, stroboflash, jumpy changing, etc.

Brightness adjustment

According to the actual needs, you can operate the APP to achieve infinite adjustment of light brightness 0%~100%.

Timing setting

You can set the switching time and duration of your pool lights. Once the set time is reached every day, the swimming pool lights will automatically turn on and off.

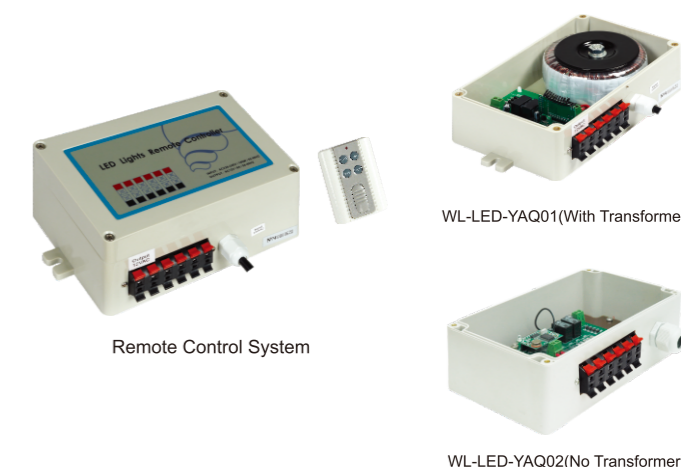
Music rhythm

The lights and music are synchronized, bringing a carnival party of lights and music. When listening to external audio sources, you can adjust the listening sensitivity. Get the music being played through your mobile phone, and the underwater lights will change colors according to the rhythm of the music.

LIGHT CONTROL BOX

Features:

- All of the AC12V and AC12-20V input LED lights can be controlled by this system.
- If the system is installed out-of-doors, a housing must be provided to prevent rain and sunlight .
- It is also better to keep the system away from electromagnetism radicalization.
- One system can control the LED lights with total power not more than 100W.
- Electrical overload & leakage protection.
- Easy and simple operation with 4 keys.



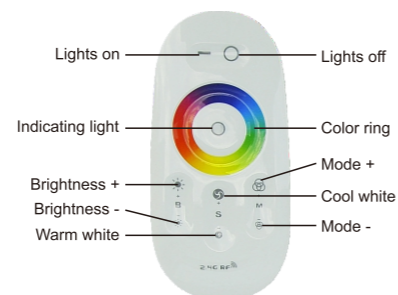
LIGHT CONTROL BOX

Model	Description	Remote controller	Remote control area
WL-LED-YAQ01	Control box with transformer 100W, input 110-220V, output AC12V	With	100 meters
WL-LED-YAQ02	Control box without transformer, input AC12V, output AC12V	With	100 meters

RGBW TOUCH CONTROLLER

This control system uses the advanced microcomputer technology to easily control the LED underwater lights, with thousands colors and 12 automatic change modes to choose from. With 2.4G wireless high frequency remote control technology, it has the characteristics of lower power consumption, long distance transmission, and strong anti-interference capability, high speed telecommunication, etc. All buttons are with sensitive touch function to achieve color changing and brightness dimming.

- Model: WL-LED-YAQ06.
- Input power: AC100-230V/47-63Hz/1200mA.
- Output power: DC12V/5A/60W.
- Effective control of distance : 30 meters.
- Programs: 12 modes.



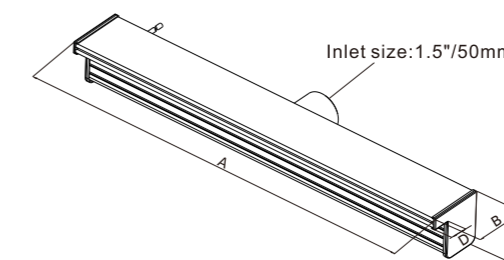
WATER DESCENT WL-WDA

The water descent are suitable for installation on finished walls and new construction walls.

Product design unique, novel, beautiful; with the optional RGB LED strip, the unit provides you colourful waterfall, which will bring elegance and visual interest to your life; Efficient to hide outlet, to a beautiful linear effect the water.

Features:

- The water descent can be widely used in swimming pool, parks or gardens.
- Different lengths available: 300mm, 600mm, 900mm, 1200mm, 1500mm.
- Free choice: with or without led strip.
- Safety power DC12V output is more reliable and security.
- Multiple color is available to switch by remote controller.
- The LED lights can be operated through remote control, 18 light modes are available.
- Lip: 25mm.



TRANSFORMER



Water-proof Transformer For Pool Lights

Model	Description	Power (W)	Waterproof standard
WL-FSBY50	Transformer 50W, input AC110V/220V, output AC12V	50W	IP44/IP68
WL-FSBY100	Transformer 100W, input AC110V/220V, output AC12V	100W	IP44/IP68
WL-FSBY150	Transformer 150W, input AC110V/220V, output AC12V	150W	IP44/IP68
WL-FSBY200	Transformer 200W, input AC110V/220V, output AC12V	200W	IP44/IP68
WL-FSBY250	Transformer 250W, input AC110V/220V, output AC12V	250W	IP44/IP68
WL-FSBY300	Transformer 300W, input AC110V/220V, output AC12V	300W	IP44/IP68
WL-FSBY400	Transformer 400W, input AC110V/220V, output AC12V	400W	IP44/IP68
WL-FSBY600	Transformer 600W, input AC110V/220V, output AC12V	600W	IP44/IP68

Technical Data

Model	A (mm)	B (mm)	C (mm)	D (mm)	LED	Type Of Wall Installation
WDA300-25	300	138	79	25	----	Existing wall
WDA600-25	600	138	79	25	----	Existing wall
WDA900-25	900	138	79	25	----	Existing wall
WDA1200-25	1200	138	79	25	----	Existing wall
WDA1500-25	1500	138	79	25	----	Existing wall
WDA300-25L	300	138	79	25	DC 12V/4W	Existing wall
WDA600-25L	600	138	79	25	DC 12V/8W	Existing wall
WDA900-25L	900	138	79	25	DC 12V/12W	Existing wall
WDA1200-25L	1200	138	79	25	DC 12V/17W	Existing wall
WDA1500-25L	1500	138	79	25	DC 12V/22W	Existing wall



Control system with transformer



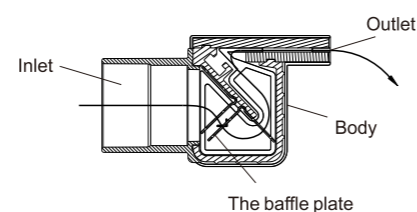
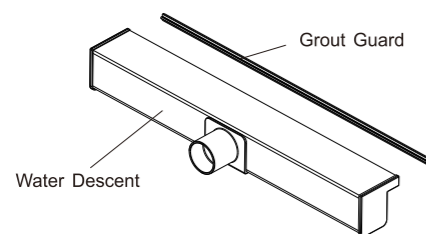
Transformer



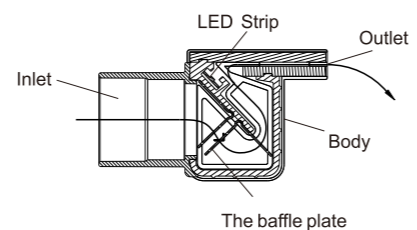
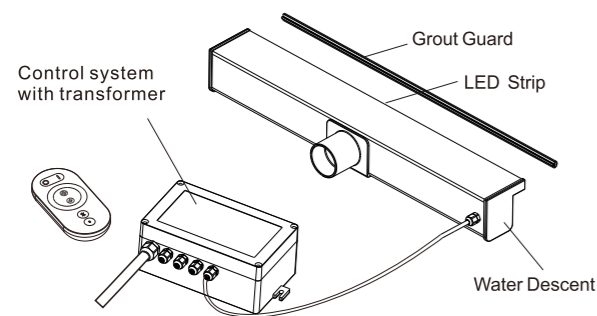
Control board+controller

Specification:

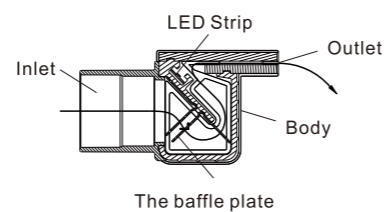
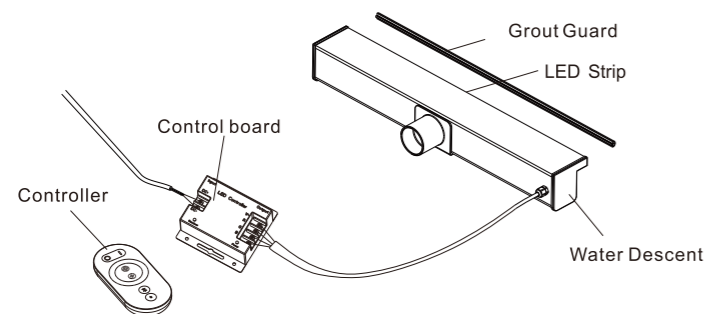
- Water descent



- Water descent with control system & transformer

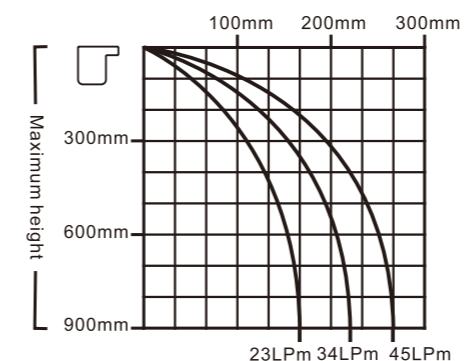


- Water descent with control board+controller

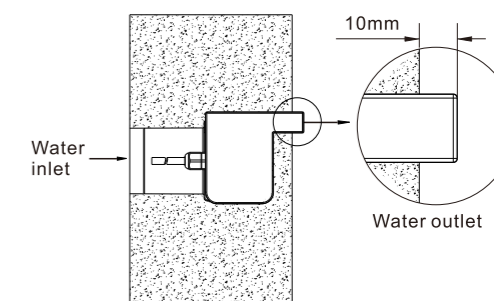


Note: Must be mounted in a waterproof enclosure.

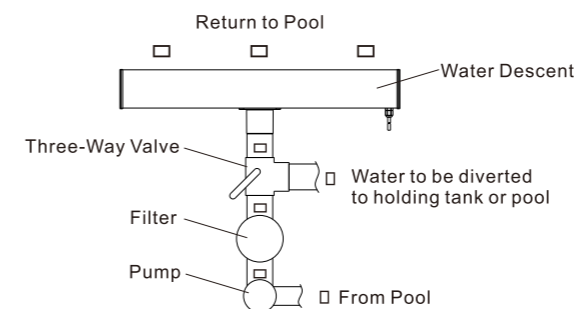
Approximate projection of sheet of water per 300mm of waterfall length



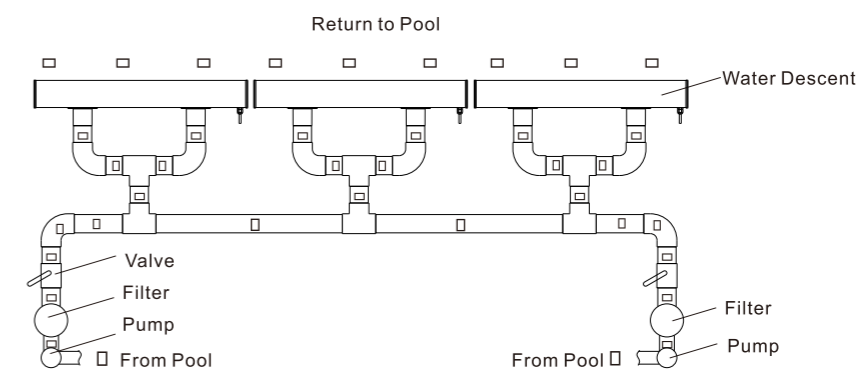
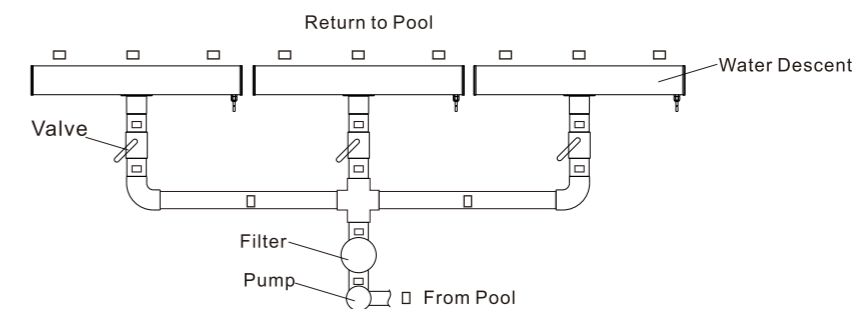
Waterfall installation icon applies to existing wall styles



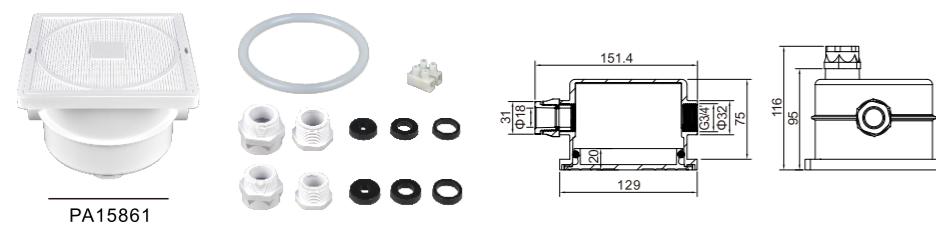
Installation for piping single unit with ball valve



Multiple units ball valve. (It is best to valve each unit)

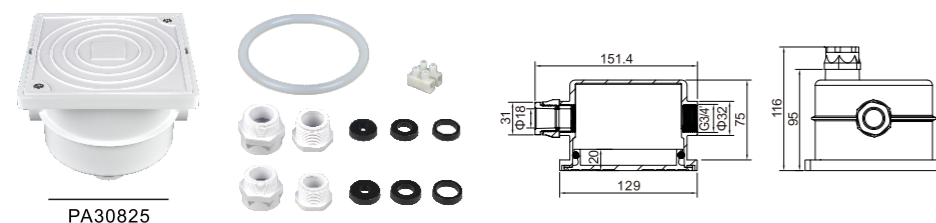


JUNCTION BOX & FLEXIBLE HOSE



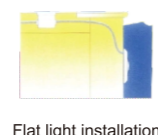
PA15861

Products	Junction Box
Model	PA15861
Colour	White color
Material	ABS



PA30825

Products	Junction Box
Model	PA30825
Colour	White color
Material	ABS



Niche light installation

Flat light installation

Products	Flexible hose
Model	PA00394
Colour	Gray
Material	ABS
Length	1meter
Connection	3/4" ext. thread

WATERPROOF WIRE CONNECTORS

- Model: LS-M20-10
- Description: 2-ways 3-pole wire connector, Cage spring type.
- Cable size: Ø6-10mm, including live wire, neutral wire and earth wire.
- Rated voltage: 300V.
- Rated current: 10A.
- Overvoltage category: III.
- Insulation resistance: $\geq 100M\Omega$.
- Operating temperature: -40°C-125°C.
- IP degree protection: IP67/IP68.

Wide Usability: Suitable for fast connection to the outdoor lighting, underwater lighting, underfloor heating, etc. Can be used to repair and extend power cables.



WATERPROOF WIRE CONNECTORS

- Model: LS-M20S-11
- Description: 2-ways 3-pole wire connector, Screw type.
- Cable size: Ø7-10.5mm, including live wire, neutral wire and earth wire.
- Rated voltage: 400V.
- Rated current: 10A.
- Overvoltage category: III.
- Insulation resistance: $\geq 100M\Omega$.
- Operating temperature: -40°C-125°C.
- IP degree protection: IP67/IP68.

Wide Usability: Suitable for fast connection to the outdoor lighting, underwater lighting, underfloor heating, etc. Can be used to repair and extend power cables.



WATERPROOF WIRE CONNECTORS

- Model: LS-YN1200WN-P.
- Description: 2-ways 2-pin wire connector, plug and play.
- Cable size: Ø3.5-5.5mm, including live wire, neutral wire and earth wire.
- Rated voltage: 230V/AC/DC.
- Rated current: 13A.
- IP degree protection: IP67.

Wide Usability: Suitable for fast connection to the outdoor lighting, underwater lighting, underfloor heating, etc. Can be used to repair and extend power cables.

