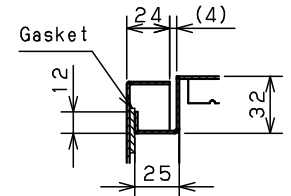
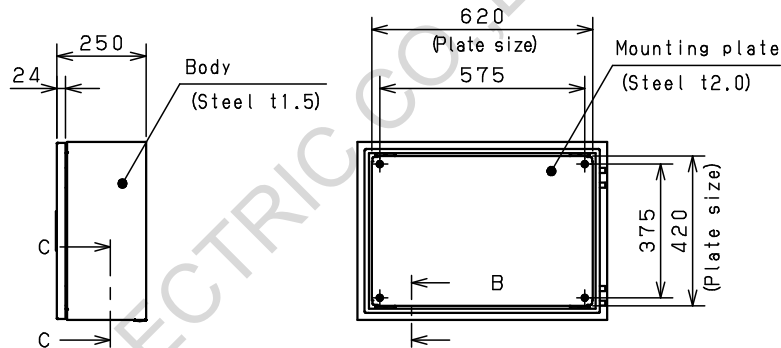
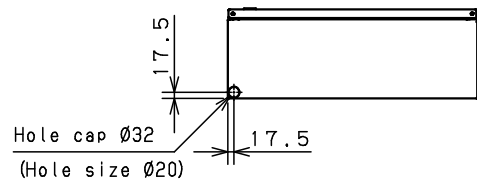
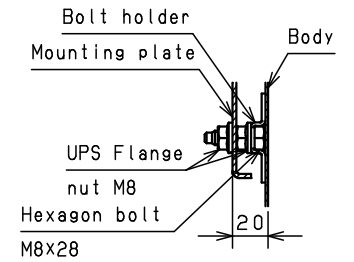


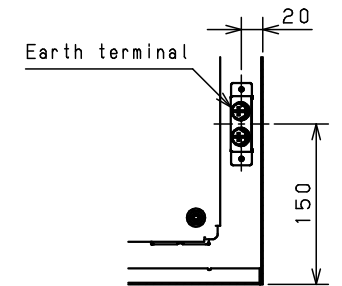
Tapped stud M6
(Behind the door)



CROSS SECTION A-A
1 : 3



CROSS SECTION B-B
1 : 3



CROSS SECTION C-C
1 : 5

Model	Wall-mounting, indoor/outdoor-use, RA25-75TH	Name/Type	RA25-75TH		
Body	Steel sheet, t1.5				
Door	Steel sheet, t1.5				
Mounting plate	Steel sheet, t2.0				
Base	-	Drawing number	-		1/1
Color	Outside Light beige (5Y7/1) (Smooth) Inside Light beige (5Y7/1) (Smooth)	A3 scale	Scale 1:15	Design SUPAKIT	Drawing SUPAKIT
IP	IP55			Check KONISHI	
Weight	22.7 Kg	Date	13 / Oct. / 2021		