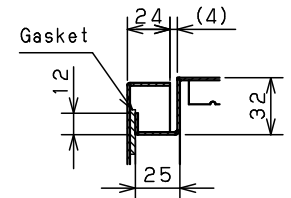
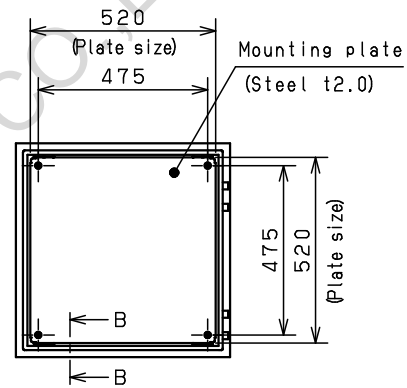
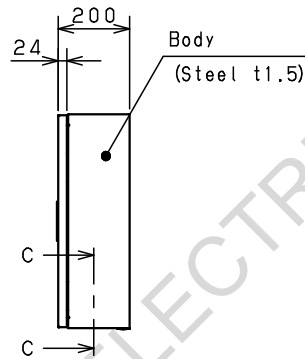
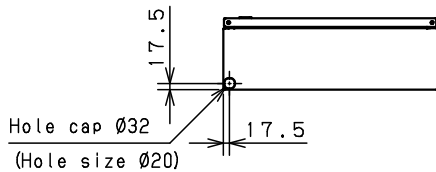
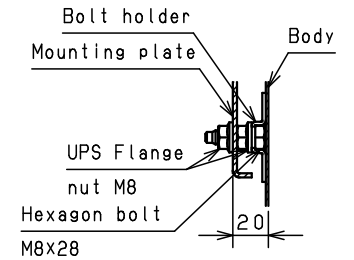


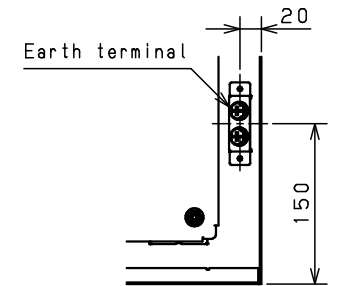
Tapped stud M6
(Behind the door)



CROSS SECTION A-A
1 : 3



CROSS SECTION B-B
1 : 3



CROSS SECTION C-C
1 : 5

Model	Wall-mounting, indoor/outdoor-use, RA20-66TH	Name/Type	RA20-66TH				
Body	Steel sheet, t1.5						
Door	Steel sheet, t1.5						
Mounting plate	Steel sheet, t2.0						
Base	-	Drawing number	-			1/1	
Color	Outside	Light beige (5Y7/1) (Smooth)	A3 scale	Scale	Design	Drawing	Check
	Inside	Light beige (5Y7/1) (Smooth)		1:15	SUPAKIT	SUPAKIT	KONISHI
IP	IP55	Date	13 / Oct. / 2021				
Weight	21.4 Kg						