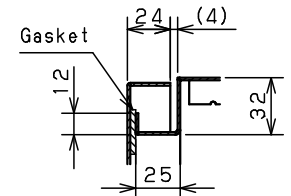
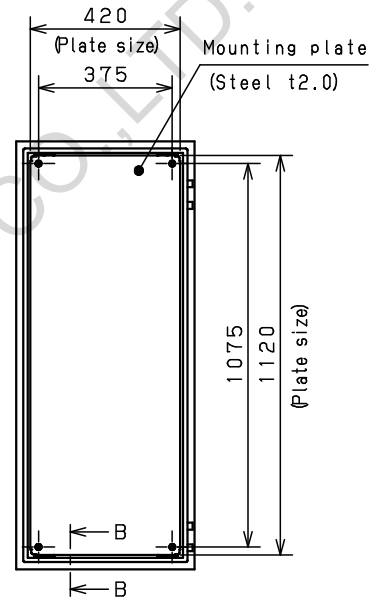
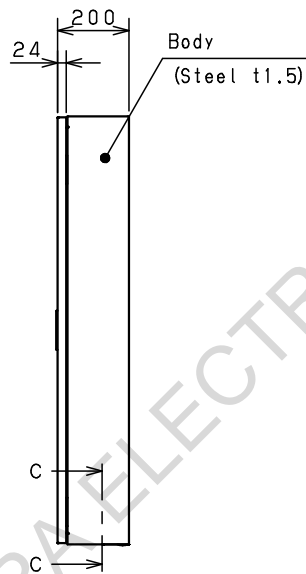
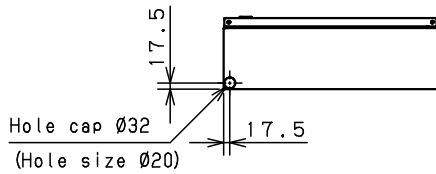
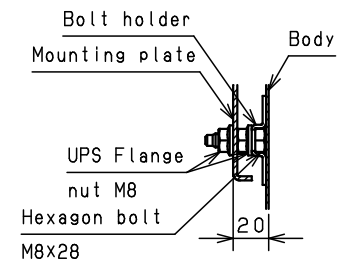


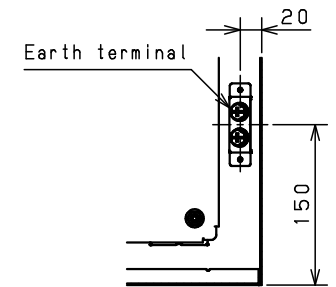
Tapped stud M6
(Behind the door)



CROSS SECTION A-A
1:3



CROSS SECTION B-B
1:3



CROSS SECTION C-C
1:5

Model	Wall-mounting, indoor/outdoor-use, RA20-512TH			Name/ Type	RA20-512TH			
Body	Steel sheet, t1.5							
Door	Steel sheet, t1.5							
Mounting plate	Steel sheet, t2.0							
Base	-			Drawing number	- / 1 1			
Color	Outside	Light beige (5Y7/1) (Smooth)	Inside					
IP	IP55			A3 scale	Scale	Design	Drawing	Check
Weight	35.1 Kg				1:15	SUPAKIT	SUPAKIT	KONISHI
				Date	13 / Oct. / 2021			