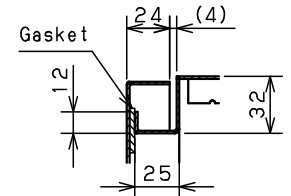
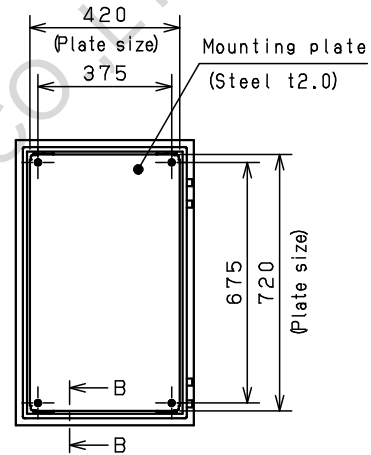
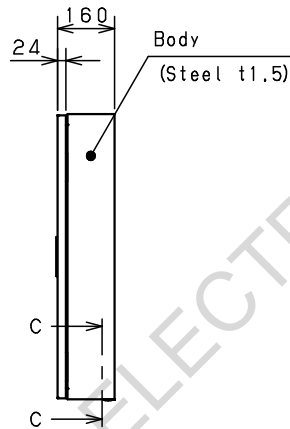
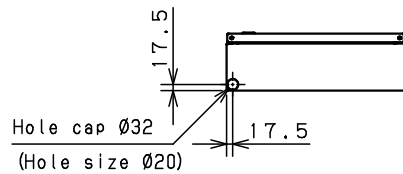
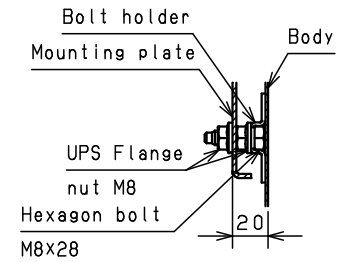


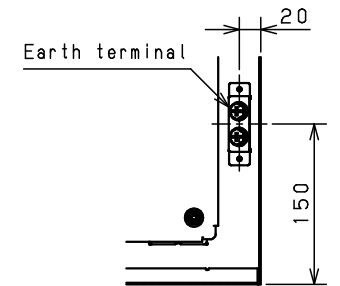
Tapped stud M6  
(Behind the door)



CROSS SECTION A-A  
1:3



CROSS SECTION B-B  
1:3



CROSS SECTION C-C  
1:5

Model	Wall-mounting, indoor/outdoor-use, RA16-58TH			Name/ Type	RA16-58TH			
Body	Steel sheet, t1.5							
Door	Steel sheet, t1.5							
Mounting plate	Steel sheet, t2.0							
Base	-			Drawing number	- / 1 1			
Color	Outside	Light beige (5Y7/1) (Smooth)						
	Inside	Light beige (5Y7/1) (Smooth)		A3 scale	Scale	Design	Drawing	Check
IP	IP55				1:15	SUPAKIT	SUPAKIT	KONISHI
Weight	22.8Kg			Date	13 / Oct. / 2021			