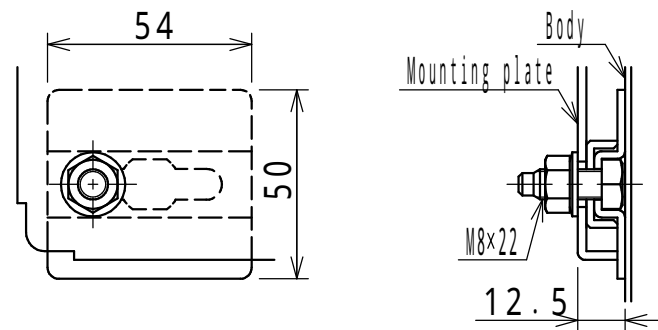


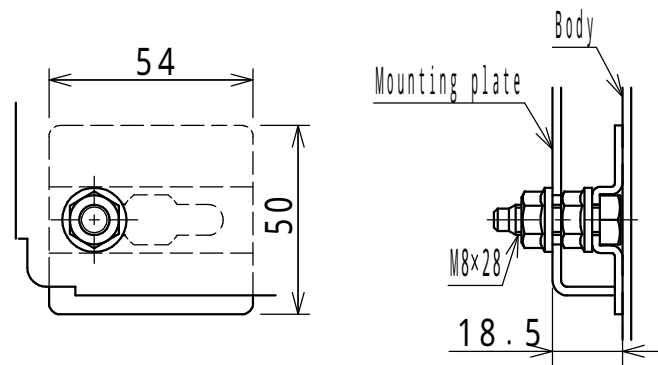
NOTE

1. The drawing holder is attached with screws.
Storage dimensions: W235 x H250 x thickness 38
2. Eyebolts are not assembled to body, they are attached as accessories.
3. When installing Wiring supporting rail for the door, Please select EX-7HRL.

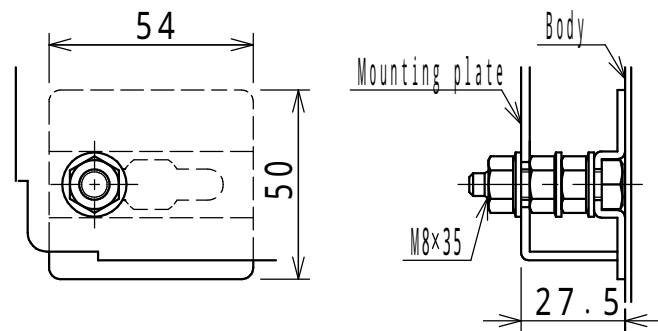
Enclosure specification		Model	E50-712A								
Type	Indoor use, Floor standing, E50-712A	Drawing A3 scale	Scale	1:20	Design	SUZUKI	Draw	NGUYEN	Check	SUZUKI	
Body	Steel										t 2.3
Door	Steel										t 2.3
Mounting plate	Steel	t 2.3	Date:	25 / Mar. / 2021							
Color	Standard / Light beige (5Y7/1)										
IP	IP5X (Category 2)										
Weight	91.0 kg										



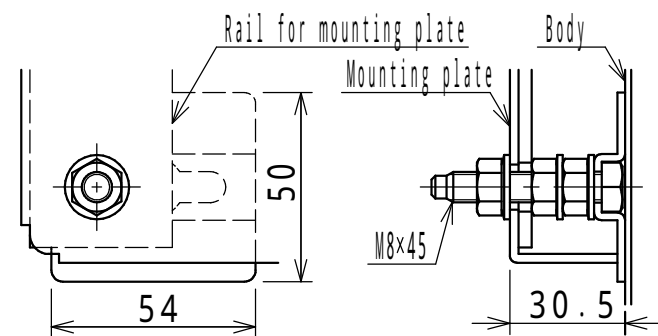
H ≤ 900mm



1000mm ≤ H ≤ 1900mm

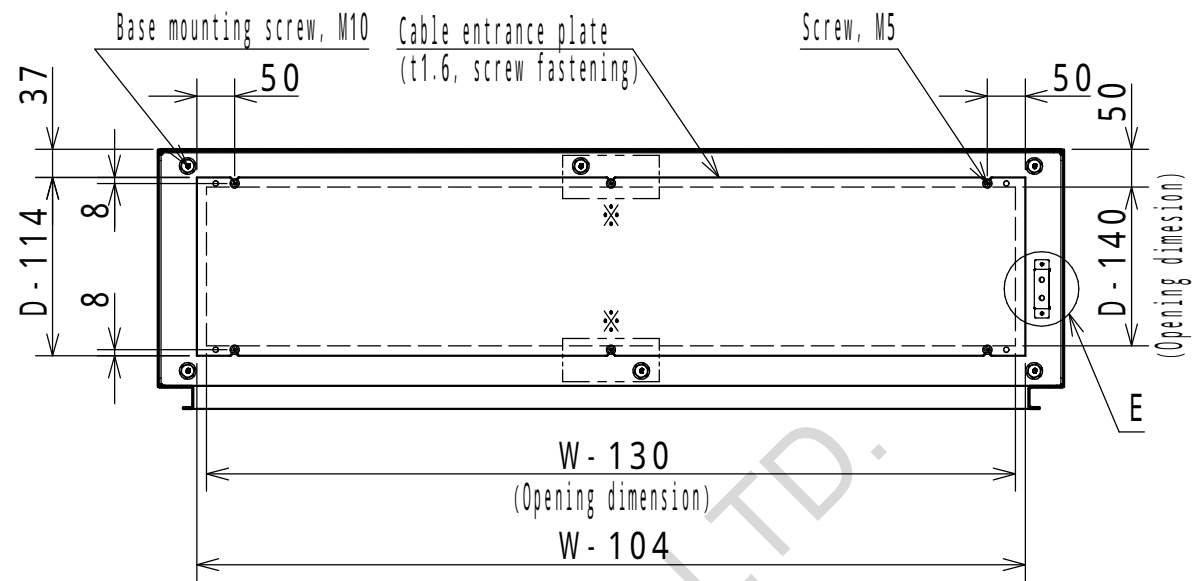


2000mm ≤ H



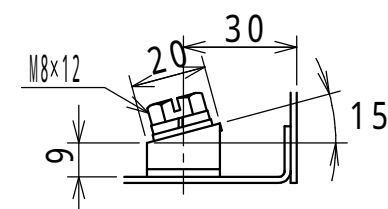
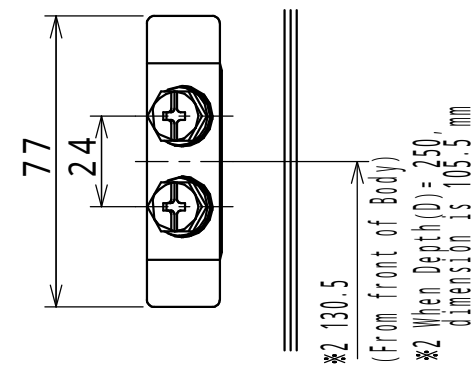
E25-1619A
E35-1616A, 1618A, 1619A, 1620A, 1621A
E40-1616A, 1618A, 1619A, 1620A, 1621A
E50-1616A, 1618A, 1619A, 1620A, 1621A, 1623A

Detail C: Mounting plate installation(1:2)



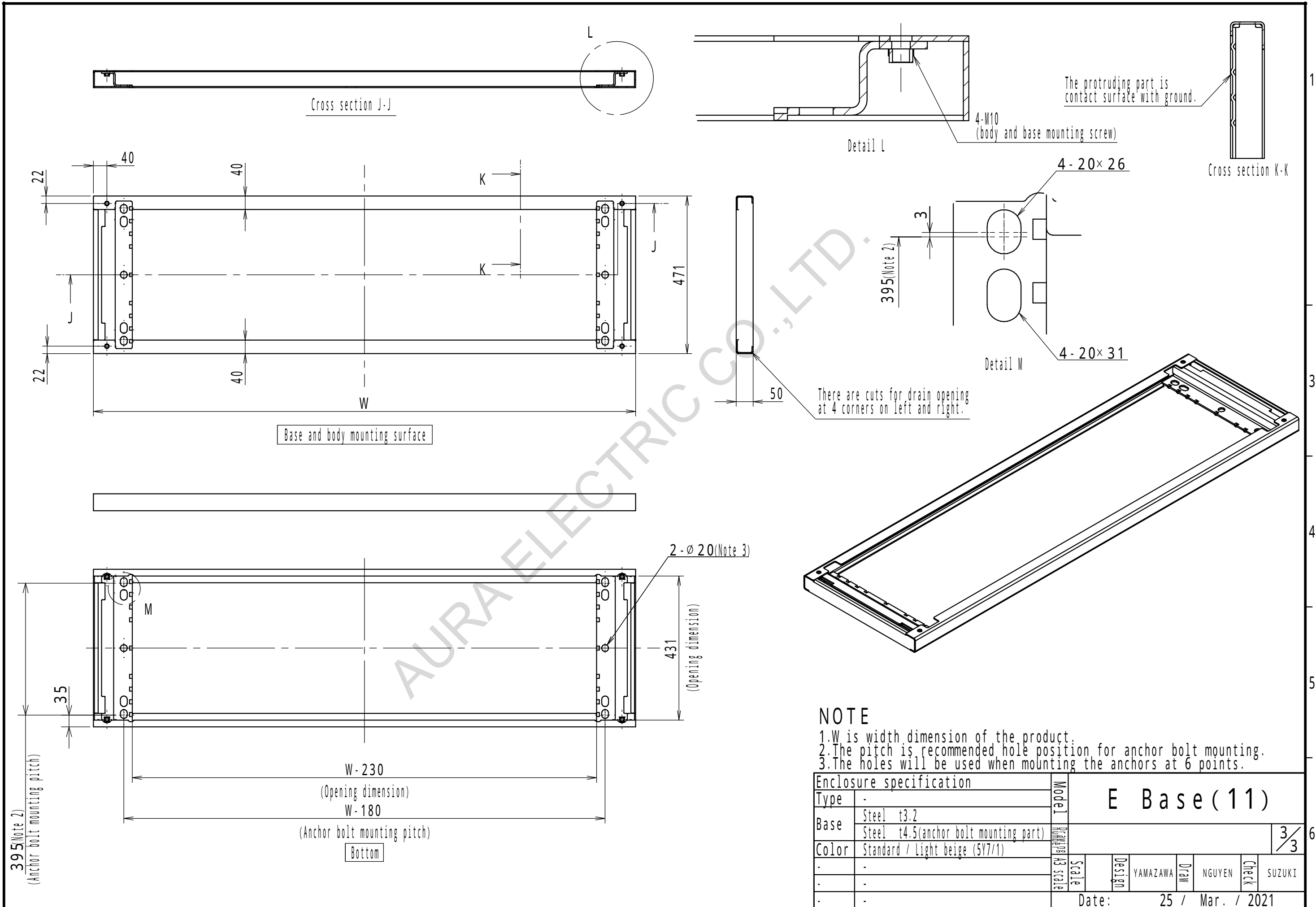
Cross section B-B

* The holes are for W ≥ 1400mm only.
W: Product Width
H: Product Height
D: Product Depth



Detail E: Earth terminal(1:2)

Model	Detail view E				
Revision					2/3
Scale	Design	ITOU	Draw	NGUYEN	Check SUZUKI
Date: 25 / Mar. / 2021					



Enclosure specification		Model	E Base (11)			
Type	-	Part No.	3/3			
Base	Steel t3.2 Steel t4.5(anchor bolt mounting part)	Scale	Design	YAMAZAWA	Draw	NGUYEN
Color	Standard / Light beige (5Y7/1)	Check	SUZUKI			
Date:		25 / Mar. / 2021				