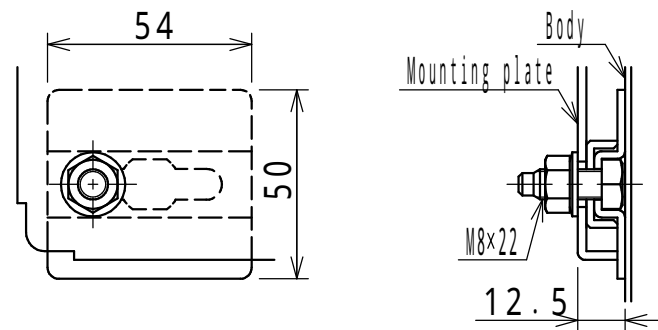


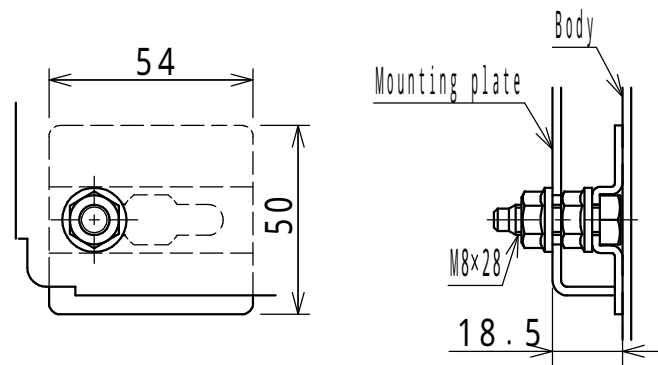
**NOTE**

1. The drawing holder is attached with screws.  
Storage dimensions: W235 x H250 x thickness 38
2. Eyebolts are not assembled to body, they are attached as accessories.

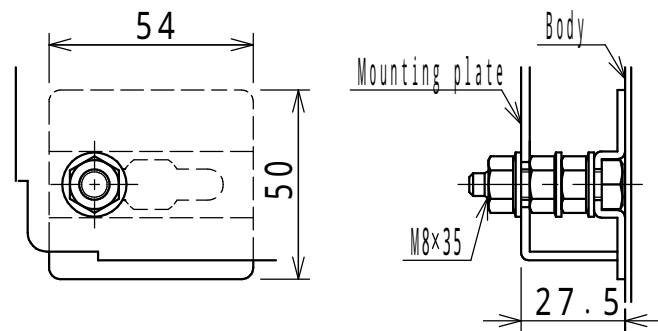
Enclosure specification			Model					
Type	Indoor use, Floor standing, E50-710A		E50-710A					
Body	Steel	t 2.3	Drawing A3 scale	Scale	1:20			
Door	Steel	t 2.3						
Mounting plate	Steel	t 2.3						
Color	Standard / Light beige (5Y7/1)		Design	SUZUKI	Draw	NGUYEN	Check	SUZUKI
IP	IP5X (Category 2)		Date:	25 / Mar. / 2021				
Weight	79.0 kg							



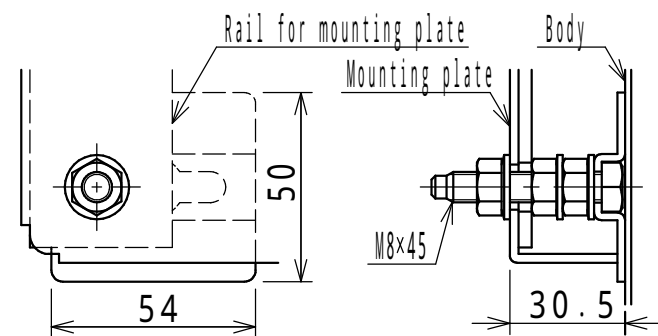
H ≤ 900mm



1000mm ≤ H ≤ 1900mm

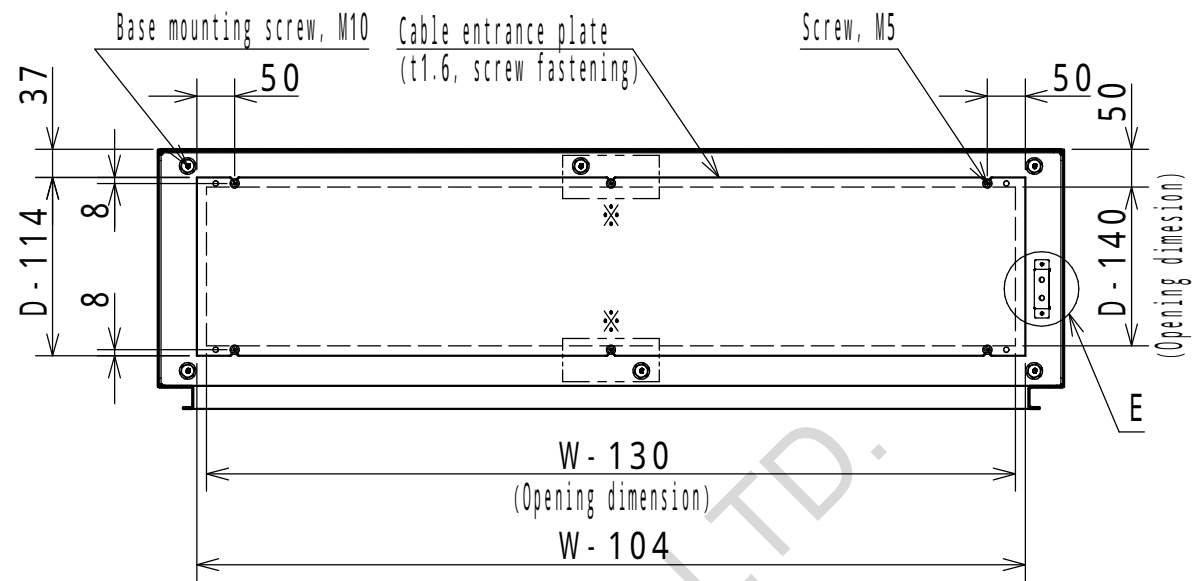


2000mm ≤ H



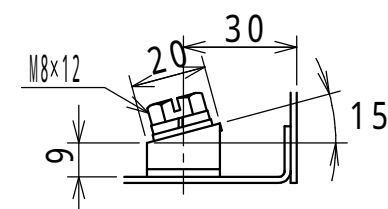
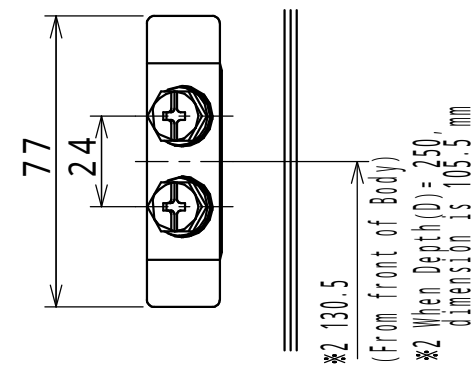
E25-1619A  
E35-1616A, 1618A, 1619A, 1620A, 1621A  
E40-1616A, 1618A, 1619A, 1620A, 1621A  
E50-1616A, 1618A, 1619A, 1620A, 1621A, 1623A

Detail C: Mounting plate installation(1:2)



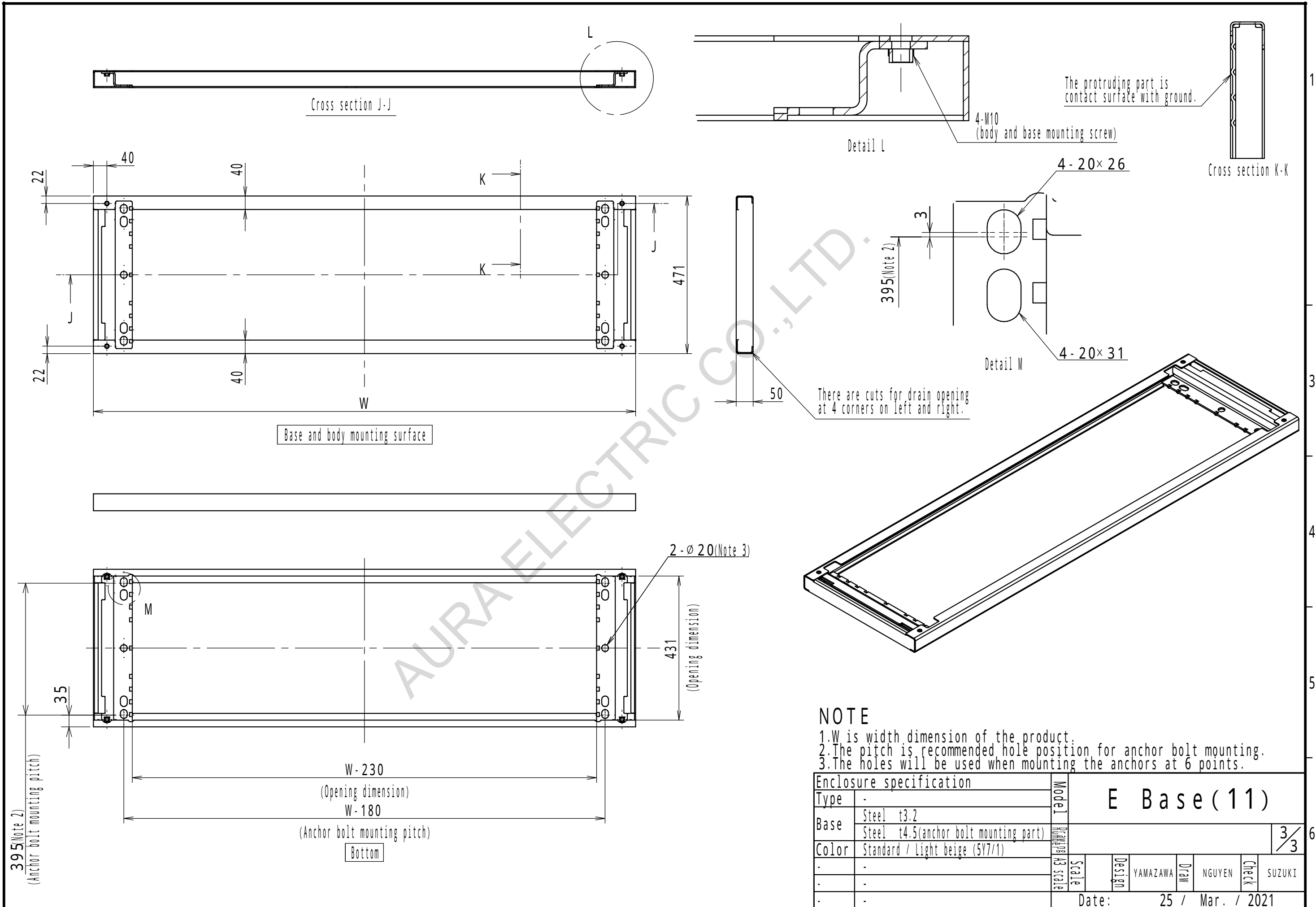
Cross section B-B

\* The holes are for W ≥ 1400mm only.  
W: Product Width  
H: Product Height  
D: Product Depth



Detail E: Earth terminal(1:2)

Model	Detail view E				
Revision					2/3
Scale	Design	ITOU	Draw	NGUYEN	Check SUZUKI
Date: 25 / Mar. / 2021					



Enclosure specification		Model	E Base (11)					
Type	-	Model	E Base (11)					
Base	Steel t3.2	Material	3/3					
	Steel t4.5 (anchor bolt mounting part)	Material	3/3					
Color	Standard / Light beige (5Y7/1)	Color	3/3					
Scale	A3 scale	Scale	Design	YAMAZAWA	Draw	NGUYEN	Check	SUZUKI
Date	Date: 25 / Mar. / 2021							