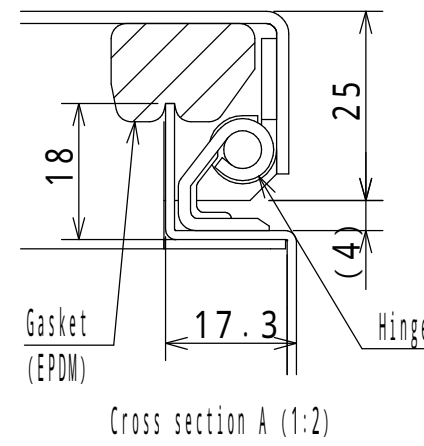


AURA ELECTRIC CO., LTD.



NOTE

1. The door opening angle is approximately 115°.

| | | | | | | | | | |
|-------------------------|--------------------------------|---------------------|------------------|--------|--------|------|--------|-------|--------|
| Enclosure specification | | Model | CH25-55A | | | | | | |
| Type | Indoor use, CH25-55A | Drawing A3 scale | 1/2 | | | | | | |
| Body | Steel t 1.2 | | | | | | | | |
| Cover | Steel t 1.6 | | | | | | | | |
| Mounting plate | Steel t 1.6 | | | | | | | | |
| Color | Standard / Light beige (5Y7/1) | Scale | 1:10 | Design | MIZUNO | Draw | NGUYEN | Check | SUZUKI |
| IP | IP4X | Date: | 25 / Mar. / 2021 | | | | | | |
| Weight | 13.9 kg | | | | | | | | |