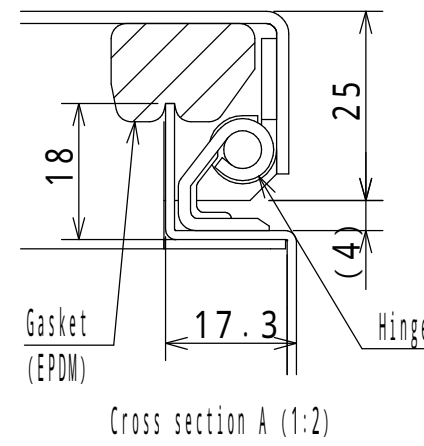


AURA ELECTRIC CO., LTD.



NOTE

1. The door opening angle is approximately 115°.

Enclosure specification		Model	CH20-44A						
Type	Indoor use, CH20-44A	Model							
Body	Steel t 1.2	Model							
Cover	Steel t 1.6	Model							
Mounting plate	Steel t 1.6	Model							
Color	Standard / Light beige (5Y7/1)	Scale	1:10	Design	MIZUNO	Draw	NGUYEN	Check	SUZUKI
IP	IP4X	Scale							
Weight	9.0 kg	Date:	25 / Mar. / 2021						