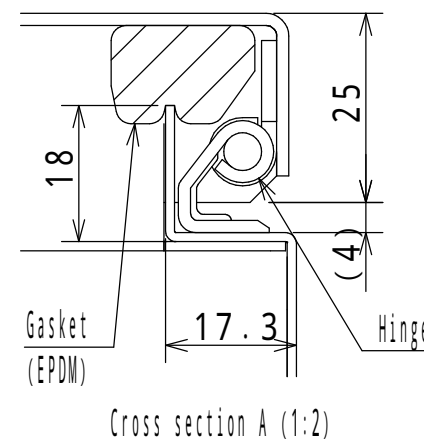


AURA ELECTRIC CO., LTD.



NOTE

1. The door opening angle is approximately 115°.

Enclosure specification		Model	CH20-43A						
Type	Indoor use, CH20-43A	Material	1/2						
Body	Steel t 1.2	Door							
Mounting plate	Steel t 1.6	Scale	1:10	Design	MIZUNO	Draw	NGUYEN	Check	SUZUKI
Color	Standard / Light beige (5Y7/1)	Date:	25 / Mar. / 2021						
IP	IP4X								
Weight	7.2 kg								