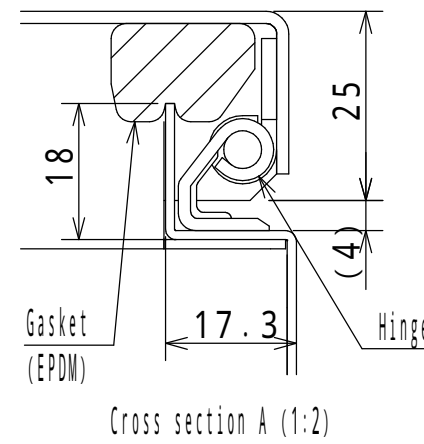


AURA ELECTRIC CO., LTD.



NOTE

1. The door opening angle is approximately 115°.

Enclosure specification				Model			
Type	Indoor use, CH20-33A			CH20-33A			
Body	Steel	t 1.2					
Door	Steel	t 1.6					
Mounting plate	Steel	t 1.6					1/2
Color	Standard / Light beige (5Y7/1)			Scale	1:5	Design	MIZUNO
IP	IP4X			Draw	NGUYEN	Check	SUZUKI
Weight	5.8 kg			Date:	25 / Mar. / 2021		