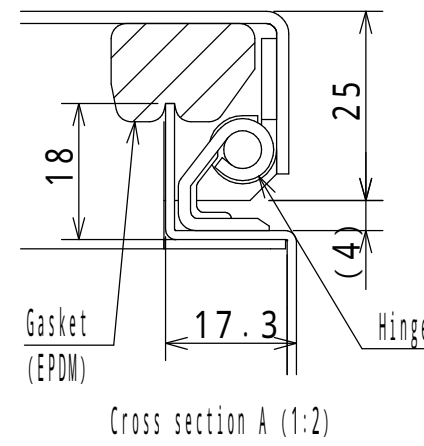


AURA ELECTRIC CO., LTD.



NOTE

1. The door opening angle is approximately 115°.

Enclosure specification		Model		CH16-4535A						
Type	Indoor use, CH16-4535A	Drawing A3 scale	Scale	1:10	Design	MIZUNO	Draw	NGUYEN	Check	SUZUKI
Body	Steel t 1.2									
Door	Steel t 1.6									
Mounting plate	Steel t 1.6	Date:		25 / Mar. / 2021						
Color	Standard / Light beige (5Y7/1)									
IP	IP4X									
Weight	8.3 kg									