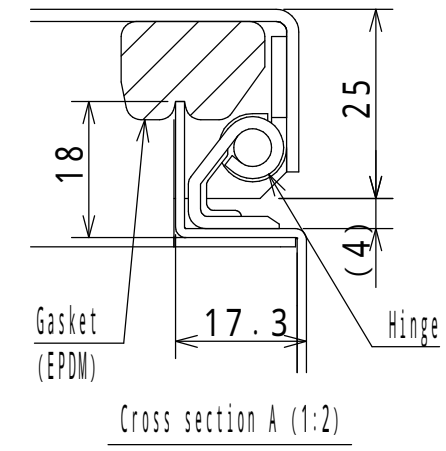


AURA ELECTRIC CO., LTD.



**NOTE**  
1. The door opening angle is approximately 115°.

Enclosure specification		Model	CH16-435A						
Type	Indoor use, CH16-435A	Drawing A3 scale	1/2						
Body	Steel t 1.2								
Door	Steel t 1.6								
Mounting plate	Steel t 1.6	Scale	1:10	Design	MIZUNO	Draw	NGUYEN	Check	SUZUKI
Color	Standard / Light beige (5Y7/1)	Date: 25 / Mar. / 2021							
IP	IP4X								
Weight	7.5 kg								