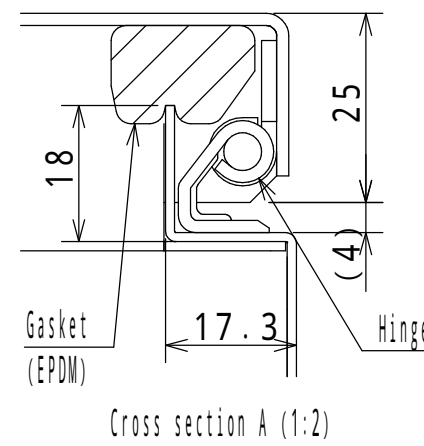


AURA ELECTRIC CO., LTD.



NOTE

1. The door opening angle is approximately 115°.

Enclosure specification		Model		CH16-253A				
Type	Indoor use, CH16-253A	Model	Drawing	Scale	Design	Draw	Check	SUZUKI
Body	Steel t 1.2							
Door	Steel t 1.6							
Mounting plate	Steel t 1.6	Scale	1:5	MIZUNO	NGUYEN	SUZUKI	1/2	
Color	Standard / Light beige (5Y7/1)							
IP	IP4X							
Weight	4.7 kg	Date: 25 / Mar. / 2021						