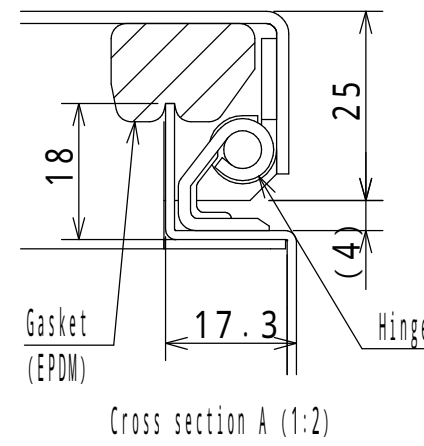


AURA ELECTRIC CO., LTD.



NOTE

1. The door opening angle is approximately 115°.

Enclosure specification		Model		CH16-252A					
Type	Indoor use, CH16-252A	Model	Drawing	1/2					
Body	Steel t 1.2								
Door	Steel t 1.6								
Mounting plate	Steel t 1.6								
Color	Standard / Light beige (5Y7/1)	Scale	1:5	Design	MIZUNO	Draw	NGUYEN	Check	SUZUKI
IP	IP4X	Date:	25 / Mar. / 2021						
Weight	3.4 kg								