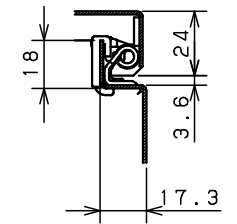
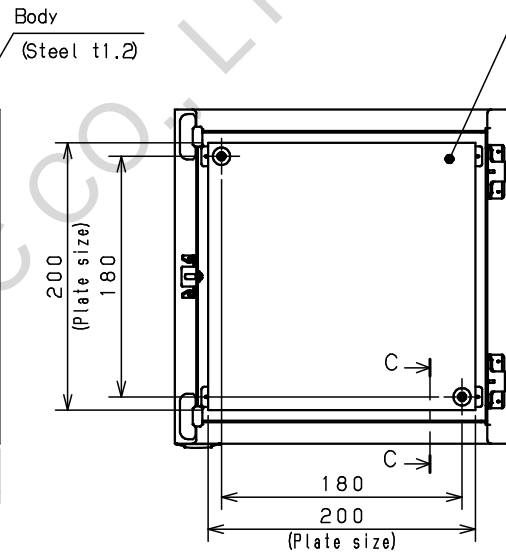
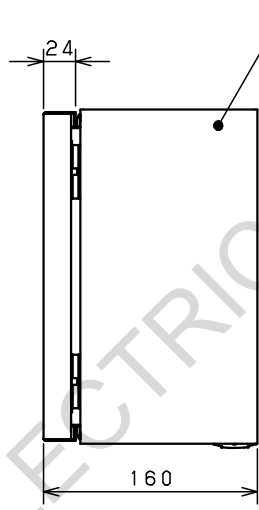
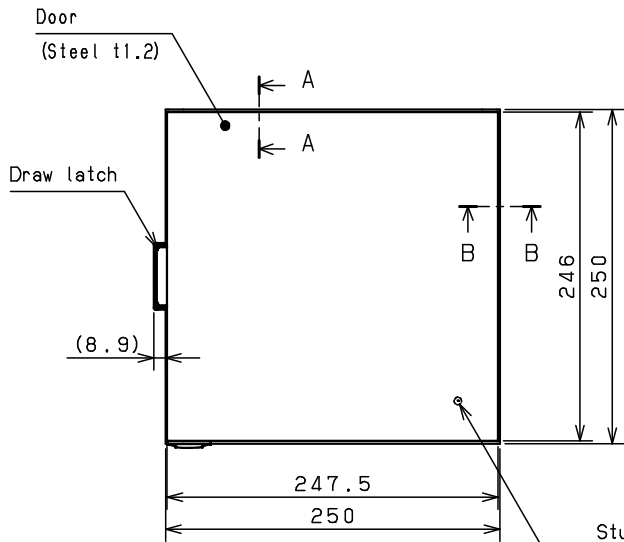
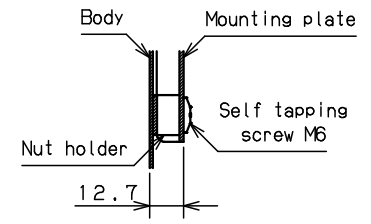
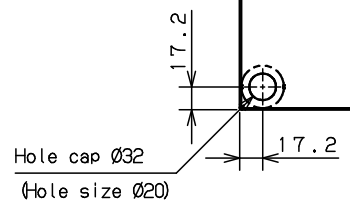
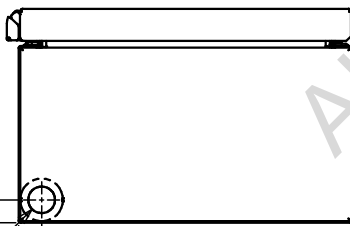


CROSS SECTION A-A
1:2



CROSS SECTION B-B
1:2



CROSS SECTION C-C
1:2

Model	Wall-mounting, indoor-use, CH16-2525TH			Name/ Type	CH16-2525TH					
Body	Steel sheet, t1.2				Drawing number	-				
Door	Steel sheet, t1.2					A3 scale	Scale	Design	Drawing	Check
Mounting plate	Steel sheet, t1.5						1:4	SUPAKIT	SUPAKIT	KONISHI
Base	-			Date	13 / Oct. / 2021					
Color	Outside	Light beige (5Y7/1) (Smooth)		Weight	3.8 Kg					
	Inside	Light beige (5Y7/1) (Smooth)								
IP	IP4X									