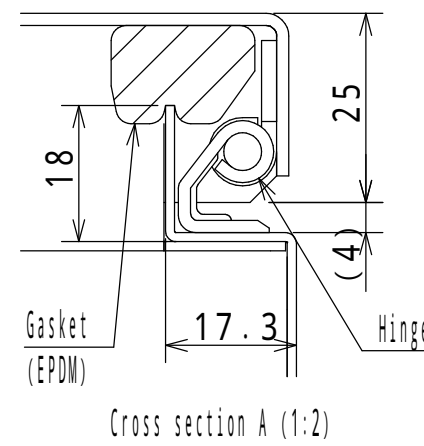


AURA ELECTRIC CO., LTD.



**NOTE**

1. The door opening angle is approximately 115°.

Enclosure specification		Model	CH12-33A						
Type	Indoor use, CH12-33A	Door	1/2						
Body	Steel t 1.2	Mounting plate							
Door	Steel t 1.6	Scale	1:5	Design	MIZUNO	Draw	NGUYEN	Check	SUZUKI
Color	Standard / Light beige (5Y7/1)	IP	IP4X						
Weight	4.9 kg	Date:	25 / Mar. / 2021						