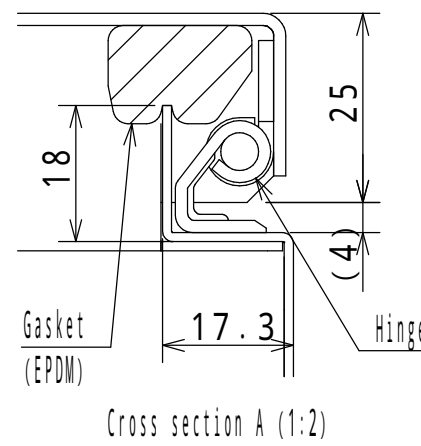


AURA ELECTRIC CO., LTD.



**NOTE**

1. The door opening angle is approximately 115°.

Enclosure specification		Model	CH12-253A						
Type	Indoor use, CH12-253A	Model Drawing A3 scale	1/2						
Body	Steel t 1.2								
Cover	Steel t 1.6								
Mounting plate	Steel t 1.6								
Color	Standard / Light beige (5Y7/1)	Scale	1:5	Design	MIZUNO	Draw	NGUYEN	Check	SUZUKI
IP	IP4X	Date:	25 / Mar. / 2021						
Weight	4.2 kg								