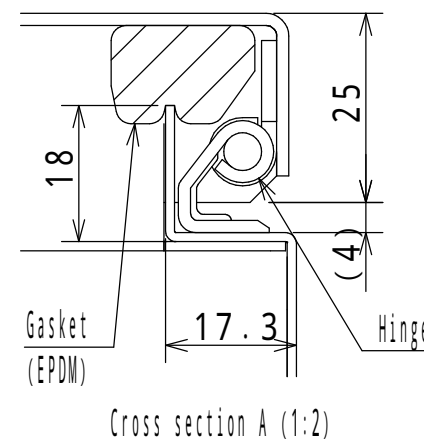


AURA ELECTRIC CO., LTD.



NOTE

1. The door opening angle is approximately 115°.

Enclosure specification		Model		CH12-252A							
Type	Indoor use, CH12-252A	Model	Drawing	Scale	1:5	Design	MIZUNO	Draw	NGUYEN	Check	SUZUKI
Body	Steel t 1.2										
Door	Steel t 1.6										
Mounting plate	Steel t 1.6										
Color	Standard / Light beige (5Y7/1)	A3 scale									
IP	IP4X										
Weight	3.0 kg			Date: 25 / Mar. / 2021							