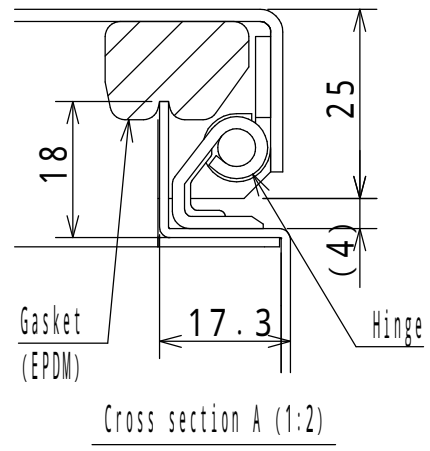


AURA ELECTRIC CO., LTD.



**NOTE**

1. The door opening angle is approximately 115°.

Enclosure specification		Model		CH12-2525A			
Type	Indoor use, CH12-2525A	Drawing		1/2			
Body	Steel t 1.2	Scale		1:5			
Cover	Steel t 1.6	Design		MIZUNO	Draw	NGUYEN	Check
Mounting plate	Steel t 1.6	Date:		25 / Mar. / 2021			
Color	Standard / Light beige (5Y7/1)	SUZUKI					
IP	IP4X						
Weight	3.6 kg						