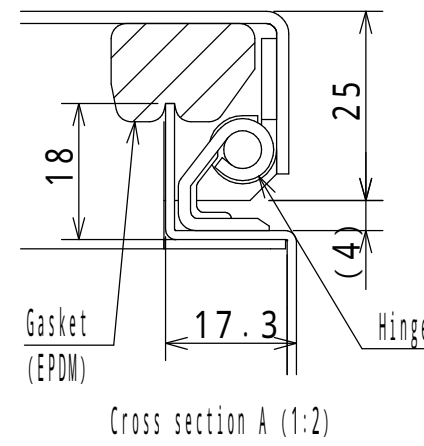


AURA ELECTRIC CO., LTD.



NOTE

1. The door opening angle is approximately 115°.

Enclosure specification		Model	CH12-152A						
Type	Indoor use, CH12-152A	Model							
Body	Steel t 1.2	Mounting plate	1/2						
Door	Steel t 1.6	Scale	1:5	Design	MIZUNO	Draw	NGUYEN	Check	SUZUKI
Mounting plate	Steel t 1.6	Scale	1:5	Design	MIZUNO	Draw	NGUYEN	Check	SUZUKI
Color	Standard / Light beige (5Y7/1)	Scale	1:5	Design	MIZUNO	Draw	NGUYEN	Check	SUZUKI
IP	IP4X	Scale	1:5	Design	MIZUNO	Draw	NGUYEN	Check	SUZUKI
Weight	2.1 kg	Date:	25 / Mar. / 2021						