



AURA ELECTRIC CO.,LTD.

Connector

Industrial Sensor Connector



Tel : 065-9257871 , 087-5458953 , 098-2491414
www.aura-electric.co.th sales@aura-automation.com




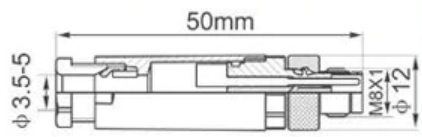

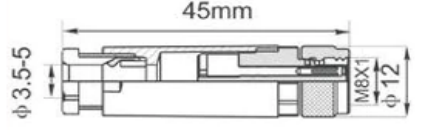

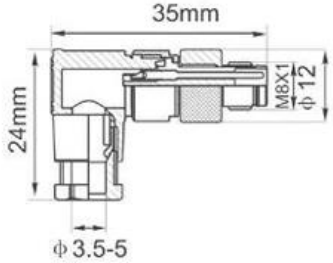

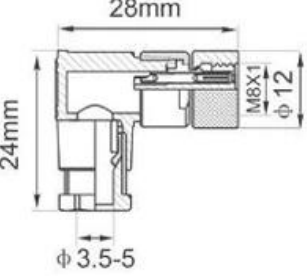
M8 Series – PG7

AEL - Industrial sensor connector

Number of Contact: 3 pins, 4 pins

IP67



| Styles | Order Code | | Dimensions | Cables |
|---|------------|-----------------|--|----------------|
| Straight Male  | 3 PIN | CON-M8-3P-M |  50mm ϕ 3.5-5 M8X1 ϕ 12 | ϕ 3.5-5mm |
| | 4 PIN | CON-M8-4P-M | | |
| Straight Female  | 3 PIN | CON-M8-3P-F |  45mm ϕ 3.5-5 M8X1 ϕ 12 | ϕ 3.5-5mm |
| | 4 PIN | CON-M8-4P-F | | |
| Angle Male  | 3 PIN | CON-M8-3P-M-A90 |  35mm 24mm ϕ 3.5-5 M8X1 ϕ 12 | ϕ 3.5-5mm |
| | 4 PIN | CON-M8-4P-M-A90 | | |
| Angle Female  | 3 PIN | CON-M8-3P-F-A90 |  28mm 24mm ϕ 3.5-5 M8X1 ϕ 12 | ϕ 3.5-5mm |
| | 4 PIN | CON-M8-4P-F-A90 | | |



Technical Data

Number of Contact: 3 pins, 4 pins

Locking type: Screw, Solder

Wire gauge: 0.25-0.5sq.mm

Cable Outlet: 3.5-5mm

Rated impulse voltage: 1500V

Rated current: 3A

Working Voltage: 0-60 VDC

Ambient: -25° - 85°

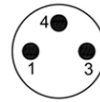
Material of Contract: Brass

Material of Housing: PA

Color: Black

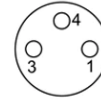
Protection: IP67

Male

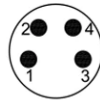


| | X | Y |
|---|-------|------|
| 1 | -1.75 | 0 |
| 2 | - | - |
| 3 | 1.75 | 0 |
| 4 | 0 | 1.75 |

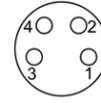
Female



| | X | Y |
|---|-------|------|
| 1 | 1.75 | 0 |
| 2 | - | - |
| 3 | -1.75 | 0 |
| 4 | 0 | 1.75 |



| | X | Y |
|---|-------|-------|
| 1 | -1.70 | -0.50 |
| 2 | -1.08 | 1.45 |
| 3 | 1.70 | -0.50 |
| 4 | 1.08 | 1.45 |



| | X | Y |
|---|-------|-------|
| 1 | 1.70 | -0.50 |
| 2 | 1.08 | 1.45 |
| 3 | -1.70 | -0.50 |
| 4 | -1.08 | 1.45 |




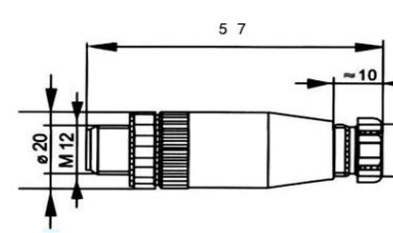

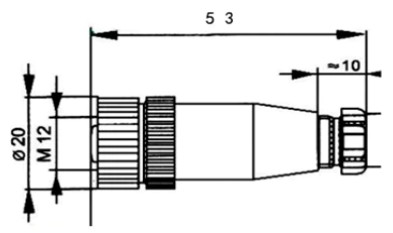
M12 Series – PG7, PG9

AEL - Industrial sensor connector





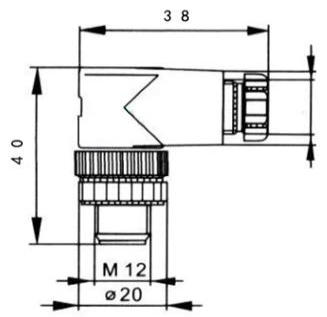




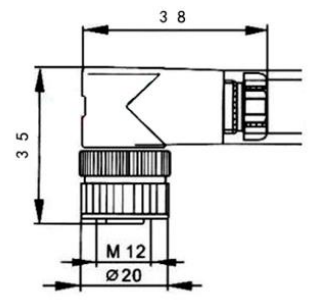
Number of Contact: 4 pins, 5 pins, 8 pins

IP67



| Styles | Order Code | | Dimensions | Cables |
|--|------------|-----------------|--|----------------|
| Straight Male  | 4 PIN | CON-M12-4P-M-P7 |  | φ3.5-5mm (PG7) |
| | | CON-M12-4P-M-P9 | | |
| | 5 PIN | CON-M12-5P-M-P7 | | |
| | | CON-M12-5P-M-P9 | | |
| | 8 PIN | CON-M12-8P-M-P7 | | |
| | | CON-M12-8P-M-P9 | | |
| Straight Female  | 4 PIN | CON-M12-4P-F-P7 |  | φ3.5-5mm (PG7) |
| | | CON-M12-4P-F-P9 | | |
| | 5 PIN | CON-M12-5P-F-P7 | | |
| | | CON-M12-5P-F-P9 | | |
| | 8 PIN | CON-M12-8P-F-P7 | | |
| | | CON-M12-8P-F-P9 | | |



| Styles | Order Code | | Dimensions | Cables |
|--|------------|---------------------|---|-------------------|
| Angle Male     | 4 PIN | CON-M12-4P-M-A90-P7 |  | φ3.5-5mm (PG7) |
| | | CON-M12-4P-M-A90-P9 | | |
| | 5 PIN | CON-M12-5P-M-A90-P7 | | |
| | | CON-M12-5P-M-A90-P9 | | |
| | 8 PIN | CON-M12-8P-M-A90-P7 | | |
| | | CON-M12-8P-M-A90-P9 | | |
| Angle Female     | 4 PIN | CON-M12-4P-F-A90-P7 |  | φ3.5-5mm (PG7) |
| | | CON-M12-4P-F-A90-P9 | | |
| | 5 PIN | CON-M12-5P-F-A90-P7 | | |
| | | CON-M12-5P-F-A90-P9 | | |
| | 8 PIN | CON-M12-8P-F-A90-P7 | | |
| | | CON-M12-8P-F-A90-P9 | | |



Technical Data

Number of Contact: 4 pins, 5 pins, 8 pins

Locking type: Screw, Solder

Wire gauge: 0.25-0.5sq.mm

Cable Outlet: 3.5-5mm/7-10mm (PG7/PG9)

Rated impulse voltage: 1500V

Rated current: 4,5 pins 3A / 8 pins 2A

Working Voltage: 4 pins 0-220V / 5,8 Pins 0-60 VDC

Ambient: -25° - 85°

Material of Contract: Brass

Material of Housing: PA

Color: Black

Protection: IP67





AURA AUTOMATION CO.,LTD.

Engineering & Solution

- Solar roof system
- Conveyor, Sorter & Storage system
- MDB Panel & Enclosure
- Dolly & Skid

Conveyor



MDB Panel & Enclosure

Dolly & Skid



CONCATC US

Head Office : 344/26 Moo 2, Surasak, Sriracha, Chonburi Thailand

Warehouse : 211/31 Moo 6, Surasak, Sriracha, Chonburi Thailand

Telephone : 065-925-7871
087-545-8953
098-249-1414

Line ID : @aura-electric



Email : sales@aura-automation.com
sales.support@aura-automation.com

Website : www.aura-electric.co.th

Website : www.aura-automation.co.th

