

HD Weatherproof Box type Network Camera

Panasonic

K-EW114L Series K-EW114L01E

1.3 Megapixel 720p Weatherproof Box type Camera Equipped with IR LED

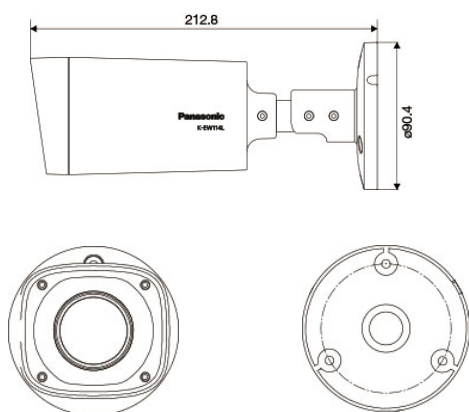
Specifications



Key Features

- High-performance CMOS image sensor.
- Vari Focal : 2.8 mm to 12 mm
- H.264 & MJPEG dual-stream encoding
- 30fps@1.3 M (1280 × 960) & 30fps@720p (1280 × 720).
- Support ICR for day time and night time operation.
- Max. IR LEDs length 30 m.
- IP66 rated water and dust resistant.
- PoE.

Appearance



Camera	
Image Sensor	Approx. 1/3 type CMOS image sensor
Min Illumination	0.1 lx / F1.4 (color)*, 0 lx (IR on)**1
Gain	Auto/ Manual
Back light compensation	BLC/ HLC/ WDR
Shutter speed	Auto/ Manual, 1/3 sec~1/100000 sec
Day / Night	Auto(ICR) / Color/ Black & White
IR LED Light	Irradiation distance: 30 m
White Balance	Auto/ Manual
Digital Noise Reduction	3DNR ON/ OFF
Privacy masking	Up to 4 areas
Video Motion Detection	On/ Off
Lens	
Focal Length	2.8 - 12 mm
Angular Field of View	H: 28° (TELE) to 92° (WIDE) V: 17° (TELE) to 47° (WIDE)
Network	
Network	10BASE-T/ 100BASE-TX, RJ45 connector
Resolution	1.3 M (1280x960) / 720P (1280x720)/ D1 (704x576/704x480) / CIF (352x288/352x240)
Image compression method	H.264/ MJPEG
Frame Rate	1 to 30 fps
Protocol	IPv4/IPv6, HTTP, HTTPS, SSL, TCP/IP, UDP, UPnP, ICMP, IGMP, SNMP, RTSP, RTP, SMTP, NTP, DHCP, DNS, PPPoE, DDNS, FTP, IP Filter, QoS, Bonjour, ONVIF compatible
Maximum concurrent access number	20 users (Number of sessions that can connect to cameras at the same time)
General	
Power source	12 V DC, PoE (IEEE802.3af compliant)
Power Consumption	12 V DC: 710 mA / Approx. 8.5 W PoE 48 V DC: 180 mA / Approx. 8.7 W (Class 0 device)
Ambient Operating Temperature / Humidity	-30 °C to +60 °C {-22 °F to 140 °F} 10 % to 95 % (no condensation)
Water and Dust Resistance	Main body: IP66
Dimensions	80 mm (W) × 72 mm (H) × 212.8 mm (L) {3-5/32 inches (W) × 2-26/32 inches (H) × 8-3/8 inches (L)}
Weight (approx.)	Approx. 650 g {1.43 lbs}

*1 [Image Adjust] Shutter: (0-)80 ms, Gain: (0-)50"

Important

- Safety Precaution: Carefully read the operating instruction manual before using this product.

- All pictures are simulated.
- Weights and dimensions are approximate.
- Specifications are subject to change without notice.

DISTRIBUTED BY: