

# DHI-NVR4408/4416/4432

8/16/32 Channel 1.5U Lite Network Video Recorder



- H.264+/H.264 codec decoding
- Max 200Mbps Incoming Bandwidth
- Up to 5MP Resolution for Preview and Playback
- HDMI/VGA/TV simultaneous video output
- Support ANR technology to enhance the storage reliability when the network break down



## System Overview

Dahua's NVR4000 is one of the NVRs which have the most reasonable price and best quality for IP video surveillance applications. This Lite NVR provides up to 5MP resolution. Additionally, the NVR features a mouse shortcut operation menu, remote management and control, centre storage, edge storage, and back up storage.

Designed as a low-cost, easy installation, this NVR is ideal for a wide range of applications such as public safety, water conservancy, transportation, city centers, education, and financial institutions.

The NVR is compatible with numerous third-party devices making it the perfect solution for surveillance systems with or without a video management system (VMS). Its open architecture supports multi-user access and is compatible with ONVIF 2.4, enabling interoperability when combined with IP cameras.

## Functions

### Smart H.264+

Delivering high quality video without straining the network, Smart H.264+ is the optimized implementation of H.264. The Smart H.264+ encoding platform includes a scene adaptive encoding strategy, dynamic GOP, dynamic ROI, flexible multi-frame reference structure and intelligent noise reduction, providing a savings of up to 70% of bandwidth and storage when compared with standard H.264.

### Smart Add

With the Smart Add function, the installation of IP system is as easy as an analog system, no matter the NVR with or without a PoE switch embedded. It should be noted that the NVR has to be in the same router as cameras.

### ANR (Automatic Network Replenishment Technology)

Video record in SD card in IP cameras when the network breaks down, and after the network recovered, the video will be transferred to NVR and then recorded in it.

### P2P

You can monitor at anytime and anywhere with P2P. With this function, you can manage your devices more convenient.

## Technical Specification

### System

Main Processor	Dual-core embedded processor
Operating System	Embedded LINUX

### Display

Interface	1 HDMI, 1 VGA, 1TV
Resolution	1920 × 1080 , 1280 × 1024, 1280 × 720 , 1024 × 768
Multi-screen Display	8CH: 1/4/8/9
	16/32CH: 1/4/8/9/16
OSD	Camera title, Time, Video loss, Camera lock, Motion detection, Recording

### Video Detection and Alarm

Trigger Events	Recording, PTZ, Tour, Alarm Out, Video Push, Email, FTP, Snapshot, Buzzer and Screen Tips
Video Detection	Motion Detection, MD Zones: 396 (22 × 18), Video Loss and Camera Blank
Alarm input	16 Channel, Low Level Effective, Green Terminal Interface
Relay Output	4 Channel, NO/NC Programmable, Green Terminal Interface

### Playback and Backup

Playback	8CH: 1/4/8
	16/32CH: 1/4/8/16
Search Mode	Time /Date, Alarm, MD and Exact Search (accurate to second), Smart search
Playback Function	Play, Pause, Stop, Rewind, Fast play, Slow Play, Next File, Previous File, Next Camera, Previous Camera, Full Screen, Repeat, Shuffle, Backup Selection, Digital Zoom
Backup Mode	USB Device/Network/Internal SATA burner/ eSATA Device

### Storage

Internal HDD	4 SATA III Ports, Up to 6 TB capacity for each HDD
HDD Mode	Single
eSATA	1 eSATA Port

### Auxiliary Interface

USB	2 USB Ports (1 USB 2.0 , 1 USB 3.0 )
RS232	1 Port, for PC Communication and Keyboard
RS485	1 Port, for PTZ Control

### Third-party Support

Third-party Support	Dahua, Arecont Vision, AXIS, Bosch, Brickcom, Canon, CP Plus, Dynacolor, Honeywell, Panasonic, Pelco, Samsung, Sanyo, Sony, Videotec, Vivotek, and more
---------------------	---

## Audio and Video

IP Camera Input	8/16/32 Channel
Two-way Talk	1 Channel Input, 1 Channel Output, RCA

## Recording

Compression	H.264+/H.264/MJPEG
Resolution	5MP/ 4MP/ 3MP/ 1080P/ 1.3MP/ 720P etc.
Record Rate	200Mbps
Bit Rate	16Kbps ~ 20Mbps Per Channel
Record Mode	Manual, Schedule (Regular, Continuous), MD (Video detection: Motion Detection, Camera Blank, Video Loss), Alarm, Stop
Record Interval	1 ~ 120 min (default: 60 min), Pre-record: 1 ~ 30 sec, Post-record: 10 ~ 300 sec

## Network

Interface	1 RJ-45 Port(10/100/1000Mbps)
Ethernet Port	1 Independent 1000Mbps Ethernet Port
PoE	N/A
Network Function	HTTP, TCP/IP, IPv4/IPv6, UPnP, RTSP, UDP, SMTP, NTP, DHCP, DNS, IP Filter, PPPoE, DDNS, FTP, Alarm Server, IP Search (Support Dahua IP camera, DVR, NVS, etc.)
Max. User Access	128 users
Smart Phone	iPhone, iPad, Android
Interoperability	ONVIF 2.4, CGI Conformant

## Electrical

Power Supply	AC100V ~ 240V, 50 ~ 60 Hz
Power Consumption	<40W (Without HDD)

## Environmental

Operating Conditions	-10°C ~ +55°C (+14°F ~ +131°F), 86 ~ 106kpa
Storage Conditions	-20°C ~ +70°C (-4°F ~ +158°F), 0 ~ 90% RH

## Construction

Dimensions	1.5U, 440mm×419.6mm×76mm (17.3" x 16.5" x 3.0")
Net Weight	4.3kg (9.5 lb) (without HDD)
Gross Weight	7kg(15.4 lb)(without HDD)

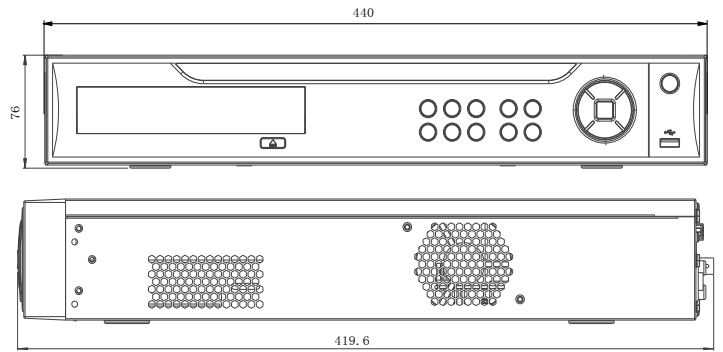
## Certifications

CE	EN55022, EN55024, EN50130-4, EN60950-1
FCC	Part 15 Subpart B, ANSI C63.4-2014
UL	UL60950-1+CAN/CSA C22.2 No.60950-1

**Ordering Information**

Type	Part Number	Description
8 Channel NVR	DHI-NVR4408	8 Channel 1.5U Lite Network Video Recorder
16 Channel NVR	DHI-NVR4416	16 Channel 1.5U Lite Network Video Recorder
32 Channel NVR	DHI-NVR4432	32 Channel 1.5U Lite Network Video Recorder
Accessories	ESS1504C	4 HDDs eSATA Storage

**Dimensions (mm)**



**Accessories**



ESS1504C