



Camlock

CAMILLOCK



Materials:

- Stainless Steel 316 (Investment Casting)
- Brass (Forging)
- Aluminium (Casting)
- Polypropylen (injection)

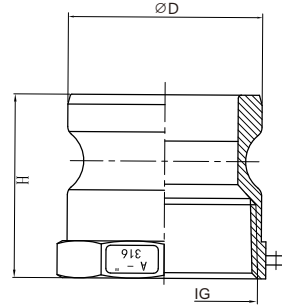
Working Pressure

- 18 bar / 250 psi (for SS and BR)
- 18 bar / 250 psi (for
- 6 bar / 87 psi (for PP)

Working temperature range of
- 50 °C up to + 250 °C.

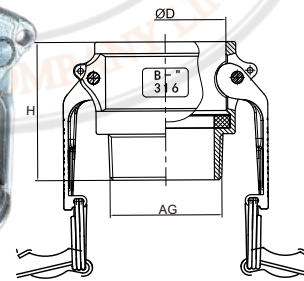
Thread type : NPT

Camlock



Part A

Name (A)	IG(Female Thread)	D (mm)	H (mm)
050	1/2"	24.3	33.4
075	3/4"	32.1	35.4
100	1"	36.7	43.5
125	1 1/4"	45.5	50.5
150	1 1/2"	53.4	52
200	2"	63	59.5
250	2 1/2"	75.8	75
300	3"	91.5	65
400	4"	119.5	70
500	5"	145.6	80
600	6"	176	83



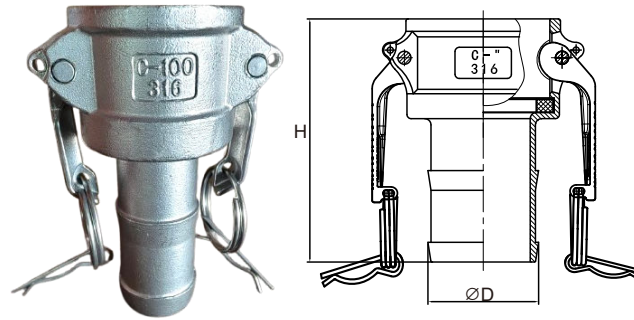
Part B

Name(B)	AG(Male Thread)	D(mm)	H(mm)
050	1/2"	24.8	43.5
075	3/4"	32.5	45
100	1"	37.3	54
125	1 1/4"	46	60.5
150	1 1/2"	54	62.5
200	2"	63.8	72
250	2 1/2"	76	75
300	3"	92.5	82
400	4"	120.3	86.5
500	5"	146.5	95.5
600	6"	176.5	107



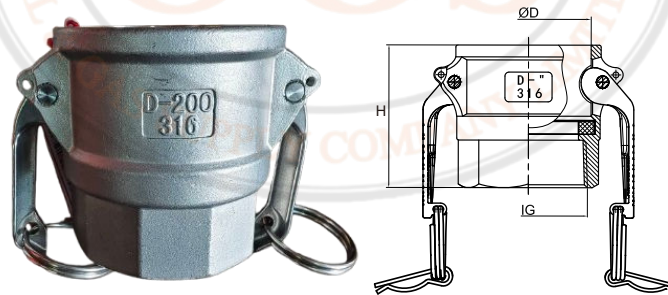
Camlock

CAMILLOCK



Part C

Name(C)	Size	D (mm)	H (mm)
050	1/2"	15	61
075	3/4"	21	78
100	1"	27.3	92.5
125	1 1/4"	34	96.5
150	1 1/2"	40.6	102
200	2"	53	117
250	2 1/2"	66.7	126
300	3"	78.8	146
400	4"	104.5	150.5
500	5"	130	172.5
600	6"	155.5	227

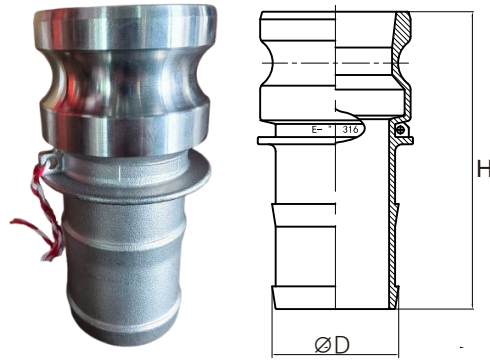


Part D

Name(D)	IG (Female Thread)	D (mm)	H (mm)
050	1/2"	24.8	43.5
075	3/4"	32.5	45
100	1"	37.3	54
125	1 1/4"	46	60.5
150	1 1/2"	54	62.5
200	2"	63.8	72
250	2 1/2"	76	75
300	3"	92.5	82
400	4"	120.3	86.5
500	5"	146.5	95.5
600	6"	176.5	104

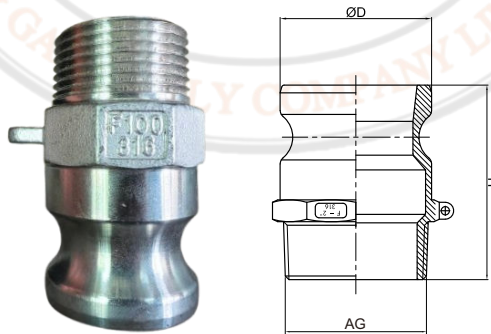


Camlock



Part E

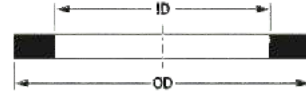
Name (F)	AG (Male Thread)	D (mm)	H (mm)
050	1/2"	15	66.5
075	3/4"	21	80
100	1"	27.3	97.5
125	1 1/4"	34	102.5
150	1 1/2"	40.6	109
200	2"	53	124.5
250	2 1/2"	66.7	136.5
300	3"	78.8	154.5
400	4"	104.5	162
500	5"	130	180
600	6"	155.5	239



Part F

Name (F)	AG (Male Thread)	D (mm)	H (mm)
050	1/2"	24.3	46.4
075	3/4"	32.1	48.4
100	1"	36.7	57
125	1 1/4"	45.5	67.5
150	1 1/2"	53.4	69
200	2"	63	80.5
250	2 1/2"	75.8	86
300	3"	91.5	94
400	4"	119.5	101
500	5"	145.6	114
600	6"	176	122

Gasket



Name	Size	Code	OD	ID	H	Colour	Material
DN 15	1/2"	B 1090017	26.5	17.5	4.0	Black	NBR
DN 20	3/4"	B 1090076	35	22	5.5	Black	NBR
DN 25	1"	B 1090077	40	27	6.4	Black	NBR
DN 32	1 1/4"	B 1090078	50	35	6.4	Black	NBR
DN 40	1 1/2"	B 1090079	56	41	6.4	Black	NBR
DN 50	2"	B 1090080	67	51	6.4	Black	NBR
DN 65	2 1/2"	B 1090081	80	60	6.4	Black	NBR
DN 80	3"	B 1090082	95	76	6.4	Black	NBR
DN 100	4"	B 1090083	124	102	6.4	Black	NBR
DN 125	5"	B 1090084	150.5	124	6.4	Black	NBR
DN 150	6"	B 1090085	180	153	6.4	Black	NBR
DN 200	8"	B 1090086	232.5	203.5	7.9	Black	NBR



Accessories

HANDLE SET: Handle + ring + pin + clip



Name	Size	Code	Material
DN 15-20	1/2"-3/4"	B 1009078	SS
DN 25	1"	B 1009079	SS
DN 32-65	1 1/4"-2 1/2"	200-HRP-SP	SS
DN 80-125	3"-5"	B 1009081	SS
DN 150	6"	B 1009096	SS

SAFETY CLIP

Name	Code	Material
SAFETY CLIP	STP-CL	SS