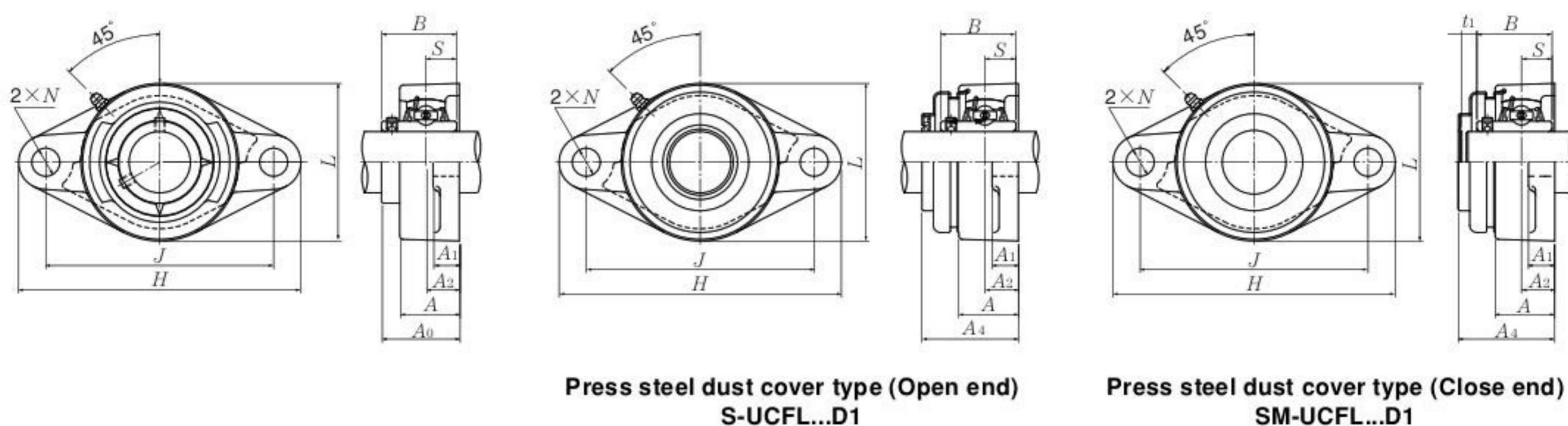




Rhombus flanged units cast housing
Set screw type



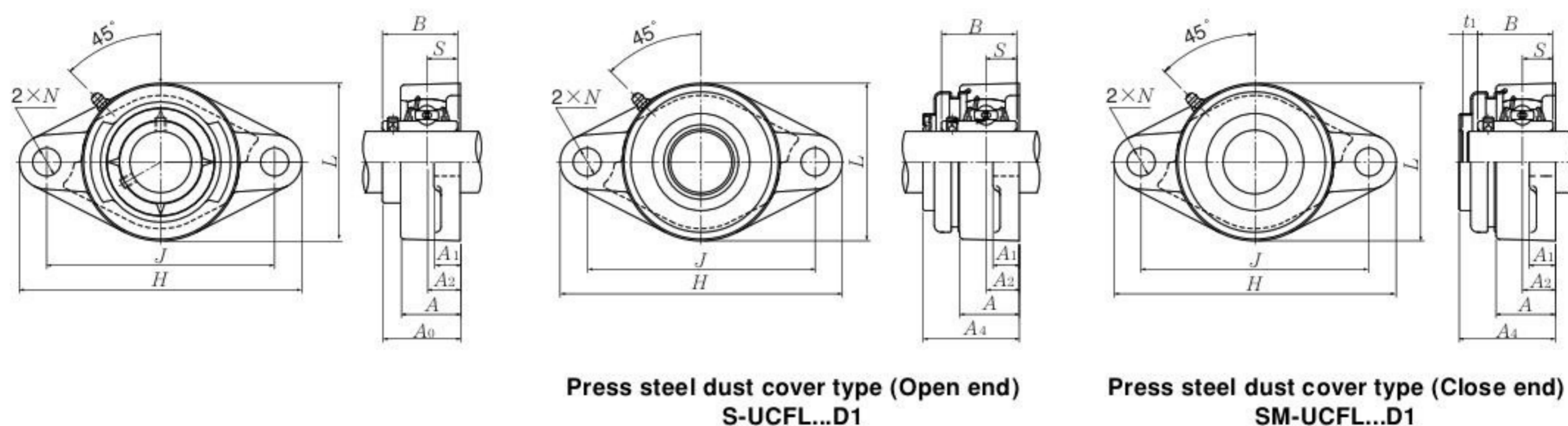
Press steel dust cover type (Open end)
S-UCFL...D1

Press steel dust cover type (Close end)
SM-UCFL...D1

Shaft dia.	Unit number ¹⁾	Nominal dimensions										Bolt size	Bearing number
		mm		inch		mm		inch		mm			
mm inch		H	J	A ₂	A ₁	A	N	L	A ₀	B	S	mm inch	
12 1/2	UCFL201D1 UCFL201-008D1	113 4 7/16	90 3 35/64	15 19/32	11 7/16	25.5 1	12 15/32	60 2 3/8	33.3 1 5/16	31 1.2205	12.7 0.500	M10 3/8	UC201D1 UC201-008D1
15 9/16 5/8	UCFL202D1 UCFL202-009D1 UCFL202-010D1	113 4 7/16	90 3 35/64	15 19/32	11 7/16	25.5 1	12 15/32	60 2 3/8	33.3 1 5/16	31 1.2205	12.7 0.500	M10 3/8	UC202D1 UC202-009D1 UC202-010D1
17 1 1/16	UCFL203D1 UCFL203-011D1	113 4 7/16	90 3 35/64	15 19/32	11 7/16	25.5 1	12 15/32	60 2 3/8	33.3 1 5/16	31 1.2205	12.7 0.500	M10 3/8	UC203D1 UC203-011D1
20 3/4	UCFL204D1 UCFL204-012D1	113 4 7/16	90 3 35/64	15 19/32	11 7/16	25.5 1	12 15/32	60 2 3/8	33.3 1 5/16	31 1.2205	12.7 0.500	M10 3/8	UC204D1 UC204-012D1
25 1 3/16 7/8 1 5/16 1	UCFL205D1 UCFL205-013D1 UCFL205-014D1 UCFL205-015D1 UCFL205-100D1	130 5 1/8	99 3 57/64	16 5/8	13 1/2	27 1 1/16	16 5/8	68 2 11/16	35.8 1 13/32	34.1 1.3425	14.3 0.563	M14 1/2	UC205D1 UC205-013D1 UC205-014D1 UC205-015D1 UC205-100D1
30 1 1/16 1 1/8 1 3/16 1 1/4	UCFL206D1 UCFL206-101D1 UCFL206-102D1 UCFL206-103D1 UCFL206-104D1	148 5 13/16	117 4 39/64	18 45/64	13 1/2	31 1 7/32	16 5/8	80 3 5/32	40.2 1 37/64	38.1 1.5000	15.9 0.626	M14 1/2	UC206D1 UC206-101D1 UC206-102D1 UC206-103D1 UC206-104D1
35 1 1/4 1 5/16 1 3/8 1 7/16	UCFL207D1 UCFL207-104D1 UCFL207-105D1 UCFL207-106D1 UCFL207-107D1	161 6 11/32	130 5 1/8	19 3/4	15 19/32	34 1 11/32	16 5/8	90 3 17/32	44.4 1 3/4	42.9 1.6890	17.5 0.689	M14 1/2	UC207D1 UC207-104D1 UC207-105D1 UC207-106D1 UC207-107D1
40 1 1/2 1 9/16	UCFL208D1 UCFL208-108D1 UCFL208-109D1	175 6 7/8	144 5 43/64	21 53/64	15 19/32	36 1 13/32	16 5/8	100 3 15/16	51.2 2 1/64	49.2 1.9370	19 0.748	M14 1/2	UC208D1 UC208-108D1 UC208-109D1
45 1 5/8 1 11/16 1 3/4	UCFL209D1 UCFL209-110D1 UCFL209-111D1 UCFL209-112D1	188 7 13/32	148 5 53/64	22 55/64	16 5/8	38 1 1/2	19 3/4	108 4 1/4	52.2 2 1/16	49.2 1.9370	19 0.748	M16 5/8	UC209D1 UC209-110D1 UC209-111D1 UC209-112D1

Remarks: 1) These numbers indicate relubricatable type. If maintenance free type is needed, please order without suffix "D1".
Note: Please refer to page 36 for size of grease fitting.

**Rhombus flanged units cast housing
Set screw type**



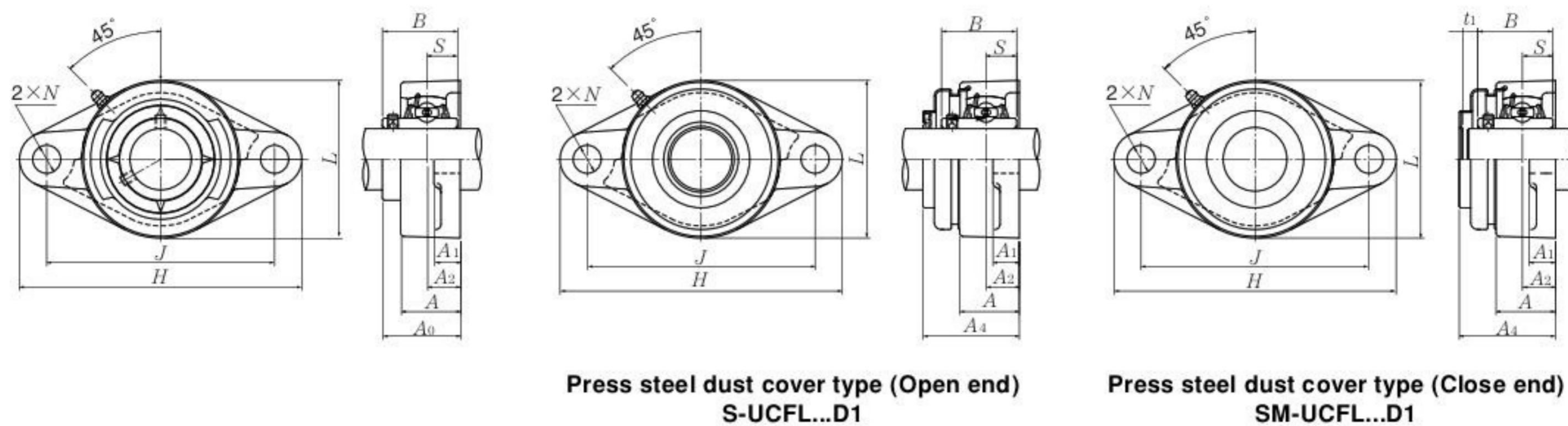
**Press steel dust cover type (Open end)
S-UCFL...D1**

**Press steel dust cover type (Close end)
SM-UCFL...D1**

Shaft dia.	Unit number ¹⁾	Nominal dimensions										Bolt size	Bearing number
		mm		inch		mm		inch		mm			
mm inch		H	J	A ₂	A ₁	A	N	L	A ₀	B	S	mm inch	
50	UCFL210D1	197	157	22	16	40	19	115	54.6	51.6	19	M16	UC210D1
1¹³/₁₆	UCFL210-113D1												UC210-113D1
1⁷/₈	UCFL210-114D1	7 ³ / ₄	6 ³ / ₁₆	5 ⁵ / ₆₄	5 ⁵ / ₈	1 ⁹ / ₁₆	3 ³ / ₄	4 ¹⁷ / ₃₂	2 ⁵ / ₃₂	2.0315	0.748	5 ⁵ / ₈	UC210-114D1
1¹⁵/₁₆	UCFL210-115D1												UC210-115D1
2	UCFL210-200D1												UC210-200D1
55	UCFL211D1	224	184	25	18	43	19	130	58.4	55.6	22.2	M16	UC211D1
2	UCFL211-200D1												UC211-200D1
2¹/₁₆	UCFL211-201D1	8 ¹³ / ₁₆	7 ¹ / ₄	6 ³ / ₆₄	2 ³ / ₃₂	1 ¹¹ / ₁₆	3 ³ / ₄	5 ¹ / ₈	2 ¹⁹ / ₆₄	2.1890	0.874	5 ⁵ / ₈	UC211-201D1
2¹/₈	UCFL211-202D1												UC211-202D1
2³/₁₆	UCFL211-203D1												UC211-203D1
60	UCFL212D1	250	202	29	18	48	23	140	68.7	65.1	25.4	M20	UC212D1
2¹/₄	UCFL212-204D1												UC212-204D1
2⁵/₁₆	UCFL212-205D1	9 ²⁷ / ₃₂	7 ⁶¹ / ₆₄	1 ⁹ / ₆₄	2 ³ / ₃₂	1 ⁷ / ₈	2 ⁹ / ₃₂	5 ¹ / ₂	2 ⁴⁵ / ₆₄	2.5630	1.000	3 ³ / ₄	UC212-205D1
2³/₈	UCFL212-206D1												UC212-206D1
2⁷/₁₆	UCFL212-207D1												UC212-207D1
65	UCFL213D1	258	210	30	22	50	23	155	69.7	65.1	25.4	M20	UC213D1
2¹/₂	UCFL213-208D1	10 ⁵ / ₃₂	8 ¹⁷ / ₆₄	1 ³ / ₁₆	7 ⁷ / ₈	1 ³¹ / ₃₂	2 ⁹ / ₃₂	6 ³ / ₃₂	2 ³ / ₄	2.5630	1.000	3 ³ / ₄	UC213-208D1
2⁹/₁₆	UCFL213-209D1												UC213-209D1
70	UCFL214D1	265	216	31	22	54	23	160	75.4	74.6	30.2	M20	UC214D1
2⁵/₈	UCFL214-210D1												UC214-210D1
2¹¹/₁₆	UCFL214-211D1	10 ⁷ / ₁₆	8 ¹ / ₂	1 ⁷ / ₃₂	7 ⁷ / ₈	2 ¹ / ₈	2 ⁹ / ₃₂	6 ⁵ / ₁₆	2 ³¹ / ₃₂	2.9370	1.189	3 ³ / ₄	UC214-211D1
2³/₄	UCFL214-212D1												UC214-212D1
75	UCFL215D1	275	225	34	22	56	23	165	78.5	77.8	33.3	M20	UC215D1
2¹³/₁₆	UCFL215-213D1												UC215-213D1
2⁷/₈	UCFL215-214D1	10 ¹³ / ₁₆	8 ⁵⁵ / ₆₄	1 ¹¹ / ₃₂	7 ⁷ / ₈	2 ⁷ / ₃₂	2 ⁹ / ₃₂	6 ¹ / ₂	3 ³ / ₃₂	3.0630	1.311	3 ³ / ₄	UC215-214D1
2¹⁵/₁₆	UCFL215-215D1												UC215-215D1
3	UCFL215-300D1												UC215-300D1
80	UCFL216D1	290	233	34	22	58	25	180	83.3	82.6	33.3	M22	UC216D1
3¹/₁₆	UCFL216-301D1												UC216-301D1
3¹/₈	UCFL216-302D1	11 ¹³ / ₃₂	9 ¹¹ / ₆₄	1 ¹¹ / ₃₂	7 ⁷ / ₈	2 ⁹ / ₃₂	6 ³ / ₆₄	7 ³ / ₃₂	3 ⁹ / ₃₂	3.2520	1.311	7 ⁷ / ₈	UC216-302D1
3³/₁₆	UCFL216-303D1												UC216-303D1

Remarks: 1) These numbers indicate relubricatable type. If maintenance free type is needed, please order without suffix "D1".
Note: Please refer to page 36 for size of grease fitting.

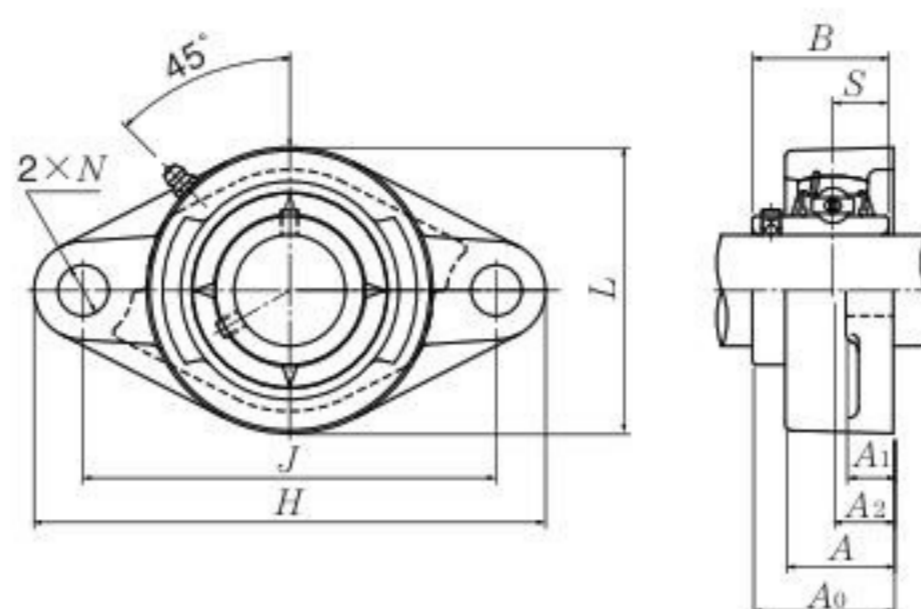
Rhombus flanged units cast housing
Set screw type



Shaft dia.	Unit number ¹⁾	Nominal dimensions										Bolt size	Bearing number
		<i>H</i>	<i>J</i>	<i>A₂</i>	<i>A₁</i>	<i>A</i>	<i>N</i>	<i>L</i>	<i>A₀</i>	<i>B</i>	<i>S</i>		
mm inch		mm					inch					mm inch	
85	UCFL217D1	305	248	36	24	63	25	190	87.6	85.7	34.1	M22	UC217D1
3¹/₄	UCFL217-304D1												UC217-304D1
3⁵/₁₆	UCFL217-305D1	12	9 ⁴⁹ / ₆₄	1 ²⁷ / ₆₄	15/16	2 ¹⁵ / ₃₂	63/64	7 ¹⁵ / ₃₂	3 ²⁹ / ₆₄	3.3740	1.343	7/8	UC217-305D1
3⁷/₁₆	UCFL217-307D1												UC217-307D1
90	UCFL218D1	320	265	40	24	68	25	205	96.3	96	39.7	M22	UC218D1
3¹/₂	UCFL218-308D1	12 ¹⁹ / ₃₂	10 ⁷ / ₁₆	1 ³⁷ / ₆₄	15/16	2 ¹¹ / ₁₆	63/64	8 ¹ / ₁₆	3 ⁵¹ / ₆₄	3.7795	1.563	7/8	UC218-308D1

Remarks: 1) These numbers indicate relubricatable type. If maintenance free type is needed, please order without suffix "D1".
Note: Please refer to page 36 for size of grease fitting.

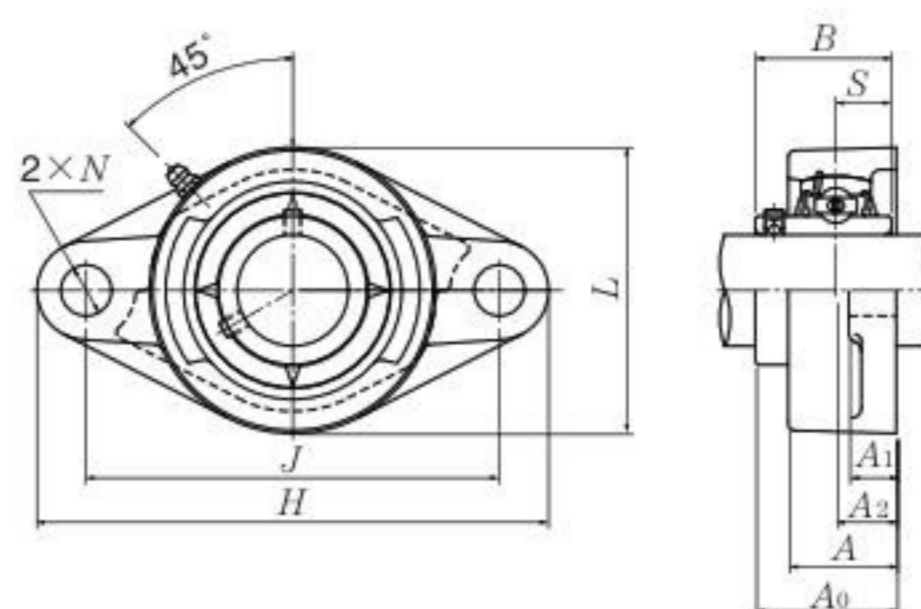
Rhombus flanged units cast housing Set screw type



Shaft dia.	Unit number ¹⁾	Nominal dimensions										Bolt size	Bearing number
		mm		inch		mm		inch		mm			
mm inch		H	J	A ₂	A ₁	A	N	L	A ₀	B	S	mm inch	
25 13/16	UCFL305D1	150	113	16	13	29	19	80	39	38	15	M16	UC305D1
7/8	UCFL305-013D1												UC305-013D1
15/16	UCFL305-014D1	5 29/32	4 7/16	5/8	1/2	1 5/32	3/4	3 5/32	1 17/32	1.4961	0.591	5/8	UC305-014D1
1	UCFL305-015D1												UC305-015D1
	UCFL305-100D1												UC305-100D1
30 1 1/16	UCFL306D1	180	134	18	15	32	23	90	44	43	17	M20	UC306D1
1 1/8	UCFL306-101D1												UC306-101D1
1 3/16	UCFL306-102D1	7 3/32	5 9/32	45/64	19/32	1 1/4	29/32	3 17/32	1 47/64	1.6929	0.669	3/4	UC306-102D1
	UCFL306-103D1												UC306-103D1
35 1 1/4	UCFL307D1	185	141	20	16	36	23	100	49	48	19	M20	UC307D1
1 5/16	UCFL307-104D1												UC307-104D1
1 3/8	UCFL307-105D1	7 9/32	5 35/64	25/32	5/8	1 13/32	29/32	3 15/16	1 59/64	1.8898	0.748	3/4	UC307-105D1
1 7/16	UCFL307-106D1												UC307-106D1
	UCFL307-107D1												UC307-107D1
40 1 1/2	UCFL308D1	200	158	23	17	40	23	112	56	52	19	M20	UC308D1
1 9/16	UCFL308-108D1	7 7/8	6 7/32	29/32	21/32	1 9/16	29/32	4 13/32	2 13/64	2.0472	0.748	3/4	UC308-108D1
	UCFL308-109D1												UC308-109D1
45 1 5/8	UCFL309D1	230	177	25	18	44	25	125	60	57	22	M22	UC309D1
1 11/16	UCFL309-110D1												UC309-110D1
1 3/4	UCFL309-111D1	9 1/16	6 31/32	63/64	23/32	1 23/32	63/64	4 29/32	2 23/64	2.2441	0.866	7/8	UC309-111D1
	UCFL309-112D1												UC309-112D1
50 1 13/16	UCFL310D1	240	187	28	19	48	25	140	67	61	22	M22	UC310D1
1 7/8	UCFL310-113D1												UC310-113D1
1 15/16	UCFL310-114D1	9 7/16	7 23/64	1 7/64	3/4	1 7/8	63/64	5 1/2	2 41/64	2.4016	0.866	7/8	UC310-114D1
	UCFL310-115D1												UC310-115D1
55 2	UCFL311D1	250	198	30	20	52	25	150	71	66	25	M22	UC311D1
2 1/16	UCFL311-200D1												UC311-200D1
2 1/8	UCFL311-201D1	9 27/32	7 51/64	1 3/16	25/32	2 1/16	63/64	5 29/32	2 51/64	2.5984	0.984	7/8	UC311-201D1
2 3/16	UCFL311-202D1												UC311-202D1
	UCFL311-203D1												UC311-203D1

Remarks: 1) These numbers indicate relubricatable type. If maintenance free type is needed, please order without suffix "D1".
Note: Please refer to page 36 for size of grease fitting.

Rhombus flanged units cast housing Set screw type

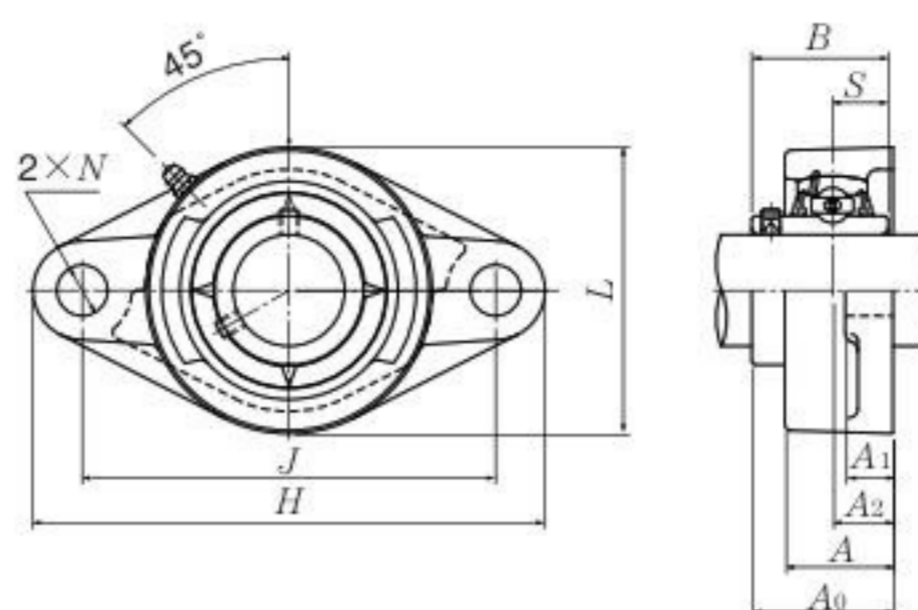


Shaft dia.	Unit number ¹⁾	Nominal dimensions										Bolt size	Bearing number
		mm					inch						
		H	J	A ₂	A ₁	A	N	L	A ₀	B	S		
60 2 ¹ / ₄	UCFL312D1	270	212	33	22	56	31	160	78	71	26	M27	UC312D1
2 ⁵ / ₁₆	UCFL312-204D1											1	UC312-204D1
2 ³ / ₈	UCFL312-205D1	10 ⁵ / ₈	8 ¹¹ / ₃₂	1 ¹⁹ / ₆₄	7/8	2 ⁷ / ₃₂	1 ⁷ / ₃₂	6 ⁵ / ₁₆	3 ⁵ / ₆₄	2.7953	1.024		UC312-205D1
2 ⁷ / ₁₆	UCFL312-206D1												UC312-206D1
	UCFL312-207D1												UC312-207D1
65 2 ¹ / ₂	UCFL313D1	295	240	33	25	58	31	175	78	75	30	M27	UC313D1
2 ⁹ / ₁₆	UCFL313-208D1	11 ⁵ / ₈	9 ²⁹ / ₆₄	1 ¹⁹ / ₆₄	3 ¹ / ₃₂	2 ⁹ / ₃₂	1 ⁷ / ₃₂	6 ⁷ / ₈	3 ⁵ / ₆₄	2.9528	1.181	1	UC313-208D1
	UCFL313-209D1												UC313-209D1
70 2 ⁵ / ₈	UCFL314D1	315	250	36	28	61	35	185	81	78	33	M30	UC314D1
2 ¹¹ / ₁₆	UCFL314-210D1											1 ¹ / ₈	UC314-210D1
2 ³ / ₄	UCFL314-211D1	12 ¹³ / ₃₂	9 ²⁷ / ₃₂	1 ²⁷ / ₆₄	1 ³ / ₃₂	2 ¹³ / ₃₂	1 ³ / ₈	7 ⁹ / ₃₂	3 ³ / ₁₆	3.0709	1.299		UC314-211D1
	UCFL314-212D1												UC314-212D1
75 2 ¹³ / ₁₆	UCFL315D1	320	260	39	30	66	35	195	89	82	32	M30	UC315D1
2 ⁷ / ₈	UCFL315-213D1											1 ¹ / ₈	UC315-213D1
2 ¹⁵ / ₁₆	UCFL315-214D1	12 ¹⁹ / ₃₂	10 ¹⁵ / ₆₄	1 ¹⁷ / ₃₂	1 ³ / ₁₆	2 ¹⁹ / ₃₂	1 ³ / ₈	7 ¹¹ / ₁₆	3 ¹ / ₂	3.2283	1.260		UC315-214D1
3	UCFL315-215D1												UC315-215D1
	UCFL315-300D1												UC315-300D1
80 3 ¹ / ₁₆	UCFL316D1	355	285	38	32	68	38	210	90	86	34	M33	UC316D1
3 ¹ / ₈	UCFL316-301D1											1 ¹ / ₄	UC316-301D1
3 ³ / ₁₆	UCFL316-302D1	13 ³¹ / ₃₂	11 ⁷ / ₃₂	1 ¹ / ₂	1 ¹ / ₄	2 ¹¹ / ₁₆	1 ¹ / ₂	8 ⁹ / ₃₂	3 ³⁵ / ₆₄	3.3858	1.339		UC316-302D1
	UCFL316-303D1												UC316-303D1
85 3 ¹ / ₄	UCFL317D1	370	300	44	32	74	38	220	100	96	40	M33	UC317D1
3 ⁵ / ₁₆	UCFL317-304D1											1 ¹ / ₄	UC317-304D1
3 ⁷ / ₁₆	UCFL317-305D1	14 ⁹ / ₁₆	11 ¹³ / ₁₆	1 ⁴⁷ / ₆₄	1 ¹ / ₄	2 ²⁹ / ₃₂	1 ¹ / ₂	8 ²¹ / ₃₂	3 ¹⁵ / ₁₆	3.7795	1.575		UC317-305D1
	UCFL317-307D1												UC317-307D1
90 3 ⁷ / ₁₆	UCFL318D1	385	315	44	36	76	38	235	100	96	40	M33	UC318D1
3 ¹ / ₂	UCFL318-307D1	15 ⁵ / ₃₂	12 ¹³ / ₃₂	1 ⁴⁷ / ₆₄	1 ¹³ / ₃₂	3	1 ¹ / ₂	9 ¹ / ₄	3 ¹⁵ / ₁₆	3.7795	1.575	1 ¹ / ₄	UC318-307D1
	UCFL318-308D1												UC318-308D1

Remarks: 1) These numbers indicate relubricatable type. If maintenance free type is needed, please order without suffix "D1".

Note: Please refer to page 36 for size of grease fitting.

Rhombus flanged units cast housing Set screw type



Shaft dia.	Unit number ¹⁾	Nominal dimensions										Bolt size	Bearing number
		mm					inch						
		H	J	A ₂	A ₁	A	N	L	A ₀	B	S		
95	UCFL319D1	405	330	59	40	94	41	250	121	103	41	M36	UC319D1
3⁵/₈	UCFL319-310D1												UC319-310D1
3¹¹/₁₆	UCFL319-311D1	15 ¹⁵ / ₁₆	12 ⁶³ / ₆₄	2 ²¹ / ₆₄	1 ⁹ / ₁₆	3 ¹¹ / ₁₆	1 ³⁹ / ₆₄	9 ²⁷ / ₃₂	4 ⁴⁹ / ₆₄	4.0551	1.614	1 ³ / ₈	UC319-311D1
3³/₄	UCFL319-312D1												UC319-312D1
100	UCFL320D1	440	360	59	40	94	44	270	125	108	42	M39	UC320D1
3¹³/₁₆	UCFL320-313D1												UC320-313D1
3⁷/₈	UCFL320-314D1	17 ⁵ / ₁₆	14 ¹¹ / ₆₄	2 ²¹ / ₆₄	1 ⁹ / ₁₆	3 ¹¹ / ₁₆	1 ⁴⁷ / ₆₄	10 ⁵ / ₈	4 ⁵⁹ / ₆₄	4.2520	1.654	1 ¹ / ₂	UC320-314D1
3¹⁵/₁₆	UCFL320-315D1												UC320-315D1
4	UCFL320-400D1												UC320-400D1
105	UCFL321D1	440	360	59	40	94	44	270	127	112	44	M39	UC321D1
110	UCFL322D1	470	390	60	42	96	44	300	131	117	46	M39	UC322D1
120	UCFL324D1	520	430	65	48	110	47	330	140	126	51	M42	UC324D1
130	UCFL326D1	550	460	65	50	115	47	360	146	135	54	M42	UC326D1
140	UCFL328D1	600	500	75	60	125	51	400	161	145	59	M45	UC328D1

Remarks: 1) These numbers indicate relubricatable type. If maintenance free type is needed, please order without suffix "D1".

Note: 1) Please refer to page 36 for size of grease fitting.