

## WL-GB Filtration Unit

LASWIM filtration system is equipped with the most optimal combination of our filter and pump

### Product Description

Laswim swimming pool filters

#### WL-GB Series Filters

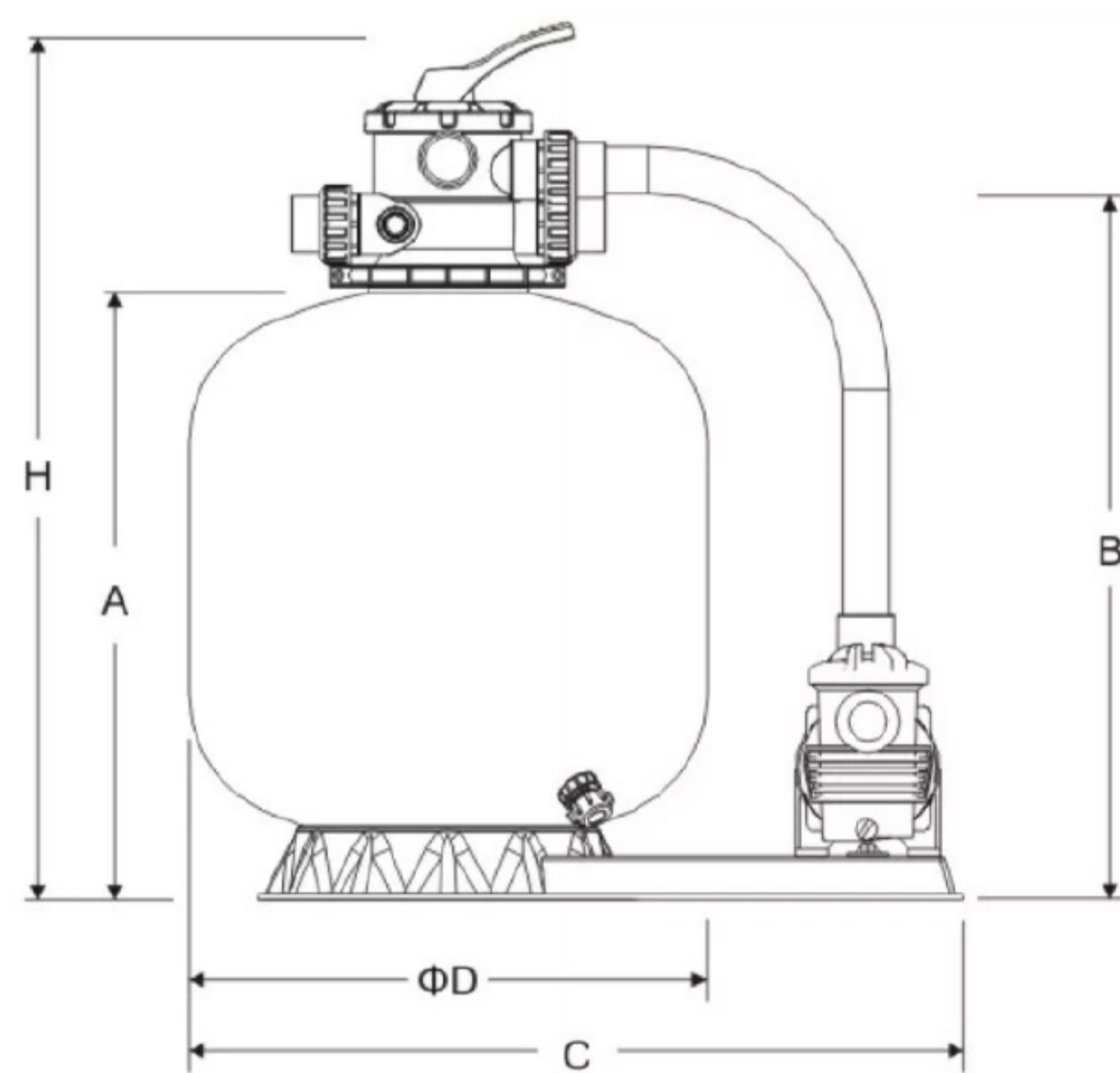
These filtration systems with top-mount filters and self-priming centrifugal pumps are constructed by the latest engineering technology. Fiberglass reinforced tank with unequaled strength and durability.



#### Features:

1. Easy to install
2. Laswim filtration system is equipped with the most optimal combination of our filter and pump.
3. Injection -molded mounting base makes filtration system work more stably.
4. Unitized thermal plastic inner tank with fibreglass twining around outside, much more strong, durable and suitable for many different weather conditions.
5. Circulation pump with good performance, corrosion-proof and quiet

#### Product Details:

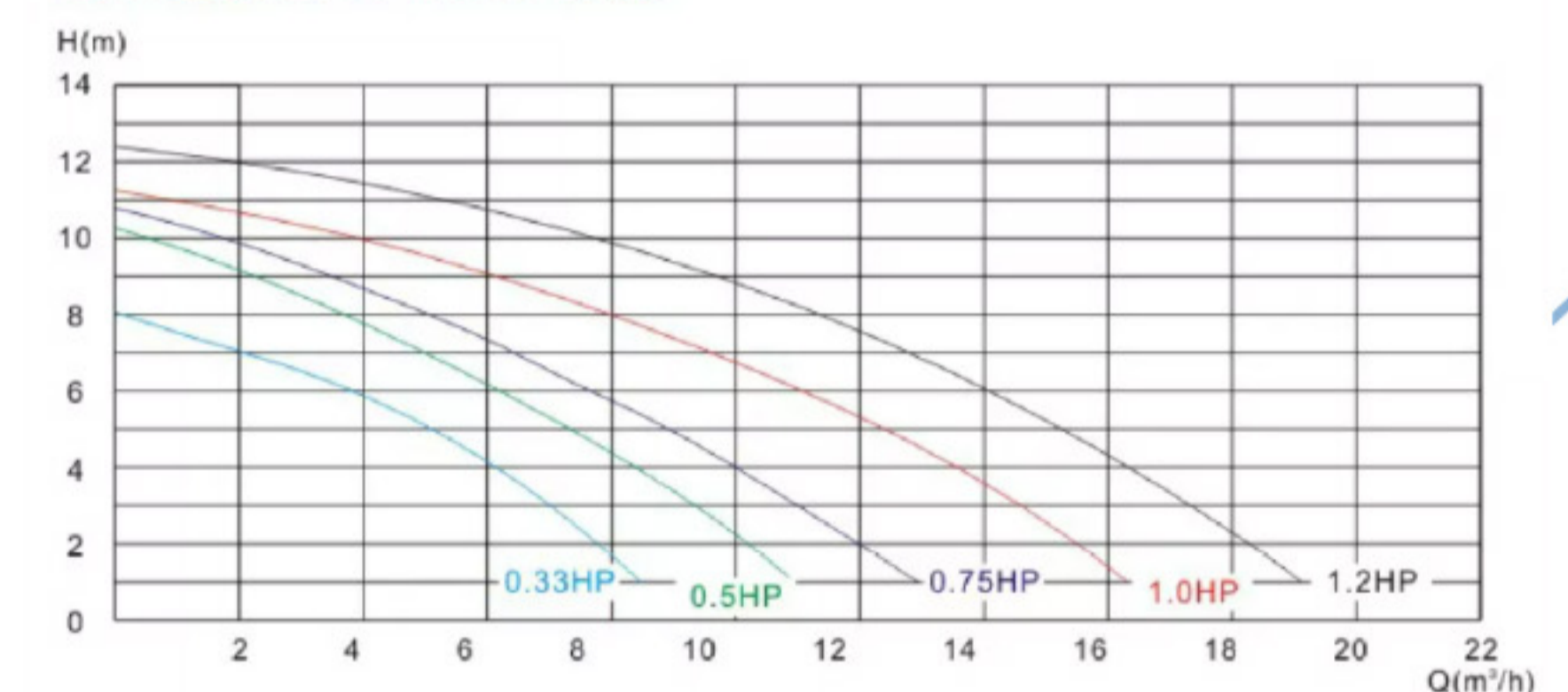


Standard: plastic clamp

Optional: stainless steel clamp

ΦD(mm)	350	410	450	535	635
H(mm)	750	770	830	870	970
A(mm)	495	515	575	615	715
B(mm)	545	565	625	665	765
C(mm)	570	570	770	770	770

QH.Curve of The Pump



#### Product Parameters:

Model	Pipe Size		Filter Area(m2)	Design Flow(m3/h)		0.5-0.8mm Sand Weight(kg)	Tank Volum(m3)	Tank Weight(kg)	Valve Weight(kg)	Matching Pump (HP)
	inches	mm		m³/h	lpm					
WL-GB350	1.5	50	0.1	4.5	75	25	0.06	4.5	3	ESP-033M
WL-GB400	1.5	50	0.13	6.5	108	34	0.09	5.5	3	ESP-033M
WL-GB450	1.5	50	0.16	8	133	50	0.15	7	3	ESP-050M
WL-GB500	1.5	50	0.23	11.5	192	80	0.2	9.8	3	ESP-100M
WL-GB650	1.5	50	0.32	16	267	160	0.32	13	3	ESP-120M

MAXIMUM WORKING PRESSURE:36psi/2.5kg/cm2

MAXIMUM OPERATING WATER TEMPERATURE≤50°C

MAXIMUM TESTING PRESSURE:58psi/4.0kg/cm2