

EMAUX LADDER SERIES

ECHELLES POUR PISCINES
LADDERS FOR SWIMMING POOLS

Anchor / Flange Type Stainless Steel Step
(anti-slippery pad)

Anchor / Flange Type Plastic Step

THE CLEAR CHOICE IN WATER TECHNOLOGY

Handrails in polished stainless steel 304 or 316 (Φ 42mm) tube. Step available in stainless steel and plastic. Complete with anchoring fixtures or flange fixtures.



www.emauxgroup.com

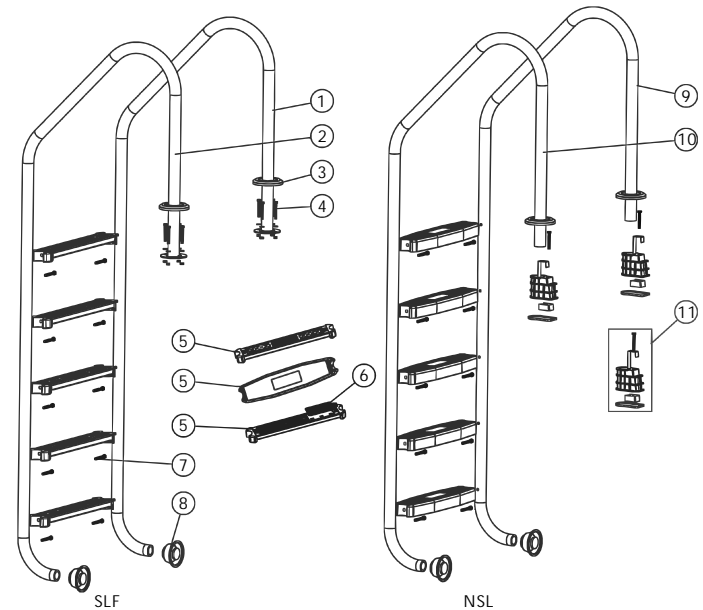
EMLA21042141

TABLE OF CONTENT

SL SERIES LADDER	3-4
SF SERIES LADDER	5-6
MU SERIES LADDER	7-8
OF SERIES OVERFLOW LADDERS	9
OFF SERIES OVERFLOW LADDERS	10
ARA SERIES EXIT HANDRAILS	11
ARB SERIES EXIT HANDRAILS	12
ARC SERIES EXIT HANDRAILS	13
ARG SERIES EXIT HANDRAILS	14
ARN SERIES EXIT HANDRAILS	15
ARS SERIES EXIT HANDRAILS	16
ARP & ARV SERIES EXIT HANDRAILS	17
BHL SERIES EXIT HANDRAILS	18
STRAIGHT STRAIGHT GRABRAIL HANDRAIL COMPONENTS	19 20
BHK SERIES EXIT HANDRAILS	21

SL SERIES LADDER INSTALLATION FOR CONCRETE POOL

Key No.	Part No.	Description	Qty
1	03016145	Ladders Left Hand-Side (AISI304) for SLF215 (Flange)	1
1	03016146	Ladders Left Hand-Side (AISI304) for SLF315 (Flange)	1
1	03016147	Ladders Left Hand-Side (AISI304) for SLF415 (Flange)	1
1	03016148	Ladders Left Hand-Side (AISI304) for SLF515 (Flange)	1
1	03016196	Ladders Left Hand-Side (AISI316) for SLF215 (Flange)	1
1	03016197	Ladders Left Hand-Side (AISI316) for SLF315 (Flange)	1
1	03016198	Ladders Left Hand-Side (AISI316) for SLF415 (Flange)	1
1	03016199	Ladders Left Hand-Side (AISI316) for SLF515 (Flange)	1
2	03016149	Ladders Right Hand-Side (AISI304) for SLF215 (Flange)	1
2	03016150	Ladders Right Hand-Side (AISI304) for SLF315 (Flange)	1
2	03016151	Ladders Right Hand-Side (AISI304) for SLF415 (Flange)	1
2	03016152	Ladders Right Hand-Side (AISI304) for SLF515 (Flange)	1
2	03016200	Ladders Right Hand-Side (AISI316) for SLF215 (Flange)	1
2	03016201	Ladders Right Hand-Side (AISI316) for SLF315 (Flange)	1
2	03016202	Ladders Right Hand-Side (AISI316) for SLF415 (Flange)	1
2	03016203	Ladders Right Hand-Side (AISI316) for SLF515 (Flange)	1
3	03016046	Cover	2
4	112000078	M8*50 Screw	8
5*	89070102	Ladders Stainless Steel Step (AISI304)	*
5*	89070105	Ladders Stainless Steel Step (AISI316)	*
5*	01051173	Ladders Plastic Step	*
5*	89070107	Ladders Stainless Steel Step (AISI316) with Anti-Slippery Pad	*



SL SERIES LADDER INSTALLATION FOR CONCRETE POOL

5*	89070108	Ladders Stainless Steel Step (AISI304) with Anti-Slippery Pad	*
6	02141006	Anti-Slippery Pad	*
7	112000069	M8*35 Screw for Step (AISI304)	*
7	112010126	M8*35 Screw for Step (AISI316)	*
8	89070104	Cap	2
9	03016069	Ladders Left Hand-Side (AISI304) for SL215	1
9	03016070	Ladders Left Hand-Side (AISI304) for SL315	1
9	03016071	Ladders Left Hand-Side (AISI304) for SL415	1
9	03016072	Ladders Left Hand-Side (AISI304) for SL515	1
9	03016088	Ladders Left Hand-Side (AISI316) for SL215	1
9	03016089	Ladders Left Hand-Side (AISI316) for SL315	1
9	03016090	Ladders Left Hand-Side (AISI316) for SL415	1
9	03016091	Ladders Left Hand-Side (AISI316) for SL515	1
10	03016073	Ladders Right Hand-Side (AISI304) for SL215	1
10	03016074	Ladders Right Hand-Side (AISI304) for SL315	1
10	03016075	Ladders Right Hand-Side (AISI304) for SL415	1
10	03016076	Ladders Right Hand-Side (AISI304) for SL515	1
10	03016092	Ladders Right Hand-Side (AISI316) for SL215	1
10	03016093	Ladders Right Hand-Side (AISI316) for SL315	1
10	03016094	Ladders Right Hand-Side (AISI316) for SL415	1
10	03016095	Ladders Right Hand-Side (AISI316) for SL515	1
11	89070101	Anchor Type Fittings (Concrete Pool)	2

Notes:

NSL&SLF 215-S need 2pcs of Ladder Stainless Steel Step and 4pcs of M8*35 Screw for Step (AISI304 or AISI316)

NSL&SLF 315-S need 3pcs of Ladder Stainless Steel Step and 6pcs of M8*35 Screw for Step

NSL&SLF 415-S need 4pcs of Ladder Stainless Steel Step and 8pcs of M8*35 Screw for Step

NSL&SLF 515-S need 5pcs of Ladder Stainless Steel Step and 10pcs of M8*35 Screw for Step

NSL&SLF 815-S need 8pcs of Ladder Stainless Steel Step and 16pcs of M8*35 Screw for Step

NSL&SLF 215-SR need 2pcs of Ladder Stainless Steel Step with Anti-Slippery Pad and 4pcs of Anti-Slippery Pad and 4pcs of M8*35 Screw for Step (AISI304 or AISI316)

NSL&SLF 315-SR need 3pcs of Ladder Stainless Steel Step with Anti-Slippery Pad and 6pcs of Anti-Slippery Pad and 6pcs of M8*35 Screw for Step (AISI304 or AISI316)

NSL&SLF 415-SR need 4pcs of Ladder Stainless Steel Step with Anti-Slippery Pad and 8pcs of Anti-Slippery Pad and 8pcs of M8*35 Screw for Step (AISI304 or AISI316)

NSL&SLF 515-SR need 5pcs of Ladder Stainless Steel Step with Anti-Slippery Pad and 10pcs of Anti-Slippery Pad and 10pcs of M8*35 Screw for Step (AISI304 or AISI316)

NSL&SLF 815-SR need 8pcs of Ladder Stainless Steel Step with Anti-Slippery Pad and 16pcs of Anti-Slippery Pad and 16pcs of M8*35 Screw for Step (AISI304 or AISI316)

NSL&SLF 215-P need 2pcs of Ladder Plastic Step and 4pcs of M8*35 Screw for Step (AISI304 or AISI316)

NSL&SLF 315-P need 3pcs of Ladder Plastic Step and 6pcs of M8*35 Screw for Step (AISI304 or AISI316)

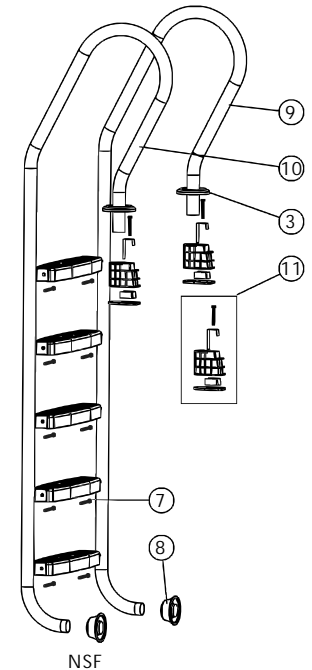
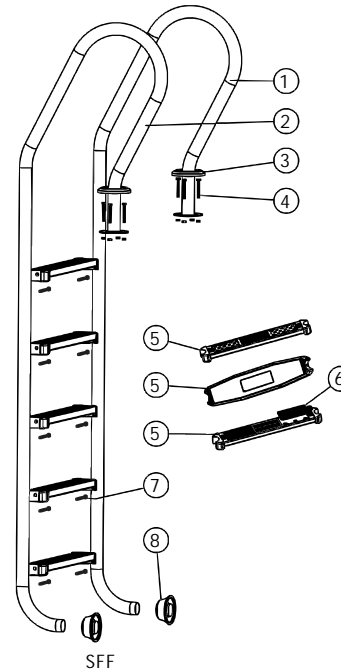
NSL&SLF 415-P need 4pcs of Ladder Plastic Step and 8pcs of M8*35 Screw for Step (AISI304 or AISI316)

NSL&SLF 515-P need 5pcs of Ladder Plastic Step and 10pcs of M8*35 Screw for Step (AISI304 or AISI316)

NSL&SLF 815-P need 8pcs of Ladder Plastic Step and 16pcs of M8*35 Screw for Step (AISI304 or AISI316)

SF SERIES LADDER INSTALLATION FOR CONCRETE POOL

Key No.	Part No.	Description	Qty
1	03016093	Ladders Left Hand-Side (AISI304) for SFF215 (Flange)	1
1	03016094	Ladders Left Hand-Side (AISI304) for SFF315 (Flange)	1
1	03016095	Ladders Left Hand-Side (AISI304) for SFF415 (Flange)	1
1	03016096	Ladders Left Hand-Side (AISI304) for SFF515 (Flange)	1
1	03016212	Ladders Left Hand-Side (AISI316) for SFF215 (Flange)	1
1	03016213	Ladders Left Hand-Side (AISI316) for SFF315 (Flange)	1
1	03016214	Ladders Left Hand-Side (AISI316) for SFF415 (Flange)	1
1	03016215	Ladders Left Hand-Side (AISI316) for SFF515 (Flange)	1
2	03016097	Ladders Right Hand-Side (AISI304) for SFF215 (Flange)	1
2	03016098	Ladders Right Hand-Side (AISI304) for SFF215 (Flange)	1
2	03016099	Ladders Right Hand-Side (AISI304) for SFF415 (Flange)	1
2	03016136	Ladders Right Hand-Side (AISI304) for SFF515 (Flange)	1
2	03016216	Ladders Right Hand-Side (AISI316) for SFF215 (Flange)	1
2	03016217	Ladders Right Hand-Side (AISI316) for SFF215 (Flange)	1
2	03016218	Ladders Right Hand-Side (AISI316) for SFF415 (Flange)	1
2	03016219	Ladders Right Hand-Side (AISI316) for SFF515 (Flange)	1
3	03016046	Cover	2
4	112000078	M8*50 Screw	8
5*	89070102	Ladders Stainless Steel Step (AISI304)	*
5*	89070105	Ladders Stainless Steel Step (AISI316)	*
5*	01051173	Ladders Plastic Step	*
5*	89070107	Ladders Stainless Steel Step (AISI316) with Anti-Slippery Pad	*



SF SERIES LADDER INSTALLATION FOR CONCRETE POOL

5*	89070108	Ladders Stainless Steel Step (AISI304) with Anti-Slippery Pad	*
6	02141006	Anti-Slippery Pad	*
7	112000069	M8*35 Screw for Step (AISI304)	*
7	112010126	M8*35 Screw for Step (AISI316)	*
8	89070104	Cap	2
9	03016077	Ladders Left Hand-Side (AISI304) for SF215	1
9	03016078	Ladders Left Hand-Side (AISI304) for SF315	1
9	03016079	Ladders Left Hand-Side (AISI304) for SF415	1
9	03016080	Ladders Left Hand-Side (AISI304) for SF515	1
9	03016180	Ladders Left Hand-Side (AISI316) for SF215	1
9	03016181	Ladders Left Hand-Side (AISI316) for SF315	1
9	03016182	Ladders Left Hand-Side (AISI316) for SF415	1
9	03016183	Ladders Left Hand-Side (AISI316) for SF515	1
10	03016081	Ladders Right Hand-Side (AISI304) for SF215	1
10	03016082	Ladders Right Hand-Side (AISI304) for SF315	1
10	03016083	Ladders Right Hand-Side (AISI304) for SF415	1
10	03016084	Ladders Right Hand-Side (AISI304) for SF515	1
10	03016184	Ladders Right Hand-Side (AISI316) for SF215	1
10	03016185	Ladders Right Hand-Side (AISI316) for SF315	1
10	03016186	Ladders Right Hand-Side (AISI316) for SF415	1
10	03016187	Ladders Right Hand-Side (AISI316) for SF515	1
11	89070101	Anchor Type Fittings (Concrete Pool)	2

Notes:

NSF&SFF 215-S need 2pcs of Ladder Stainless Steel step and 4pcs of M8*35 Screw for Step (AISI304 or AISI316)

NSF&SFF 315-S need 3pcs of Ladder Stainless Steel step and 6pcs of M8*35 Screw for Step (AISI304 or AISI316)

NSF&SFF 415-S need 4pcs of Ladder Stainless Steel step and 8pcs of M8*35 Screw for Step (AISI304 or AISI316)

NSF&SFF 515-S need 5pcs of Ladder Stainless Steel step and 10pcs of M8*35 Screw for Step (AISI304 or AISI316)

NSF&SFF 215-SR need 2pcs of Ladder Stainless Steel Step with Anti-Slippery Pad and 4pcs of Anti-Slippery Pad and 4pcs of M8*35 Screw for Step (AISI304 or AISI316)

NSF&SFF 315-SR need 3pcs of Ladder Stainless Steel Step with Anti-Slippery Pad and 6pcs of Anti-Slippery Pad and 6pcs of M8*35 Screw for Step (AISI304 or AISI316)

NSF&SFF 415-SR need 4pcs of Ladder Stainless Steel Step with Anti-Slippery Pad and 8pcs of Anti-Slippery Pad and 8pcs of M8*35 Screw for Step (AISI304 or AISI316)

NSF&SFF 515-SR need 5pcs of Ladder Stainless Steel Step with Anti-Slippery Pad and 10pcs of Anti-Slippery Pad and 10pcs of M8*35 Screw for Step (AISI304 or AISI316)

NSF&SFF 215-P need 2pcs of Ladder Plastic Step and 4pcs of M8*35 Screw for Step (AISI304 or AISI316)

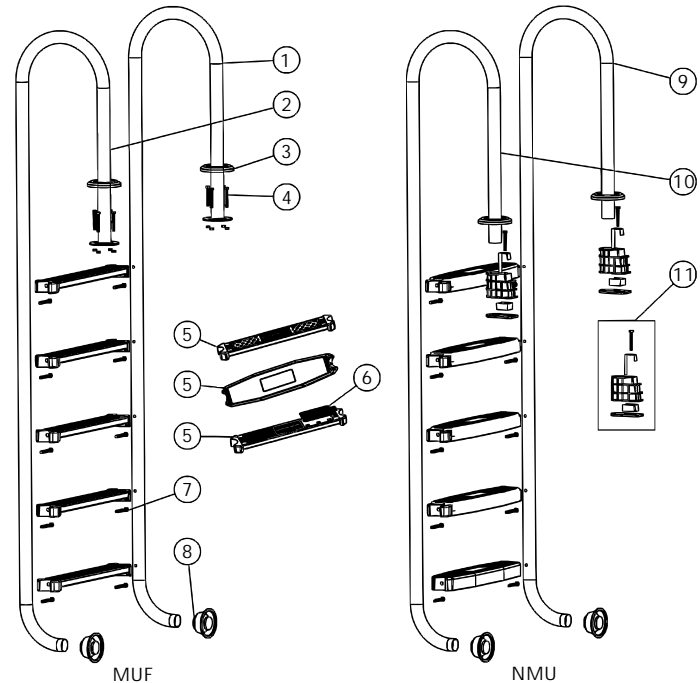
NSF&SFF 315-P need 3pcs of Ladder Plastic Step and 6pcs of M8*35 Screw for Step (AISI304 or AISI316)

NSF&SFF 415-P need 4pcs of Ladder Plastic Step and 8pcs of M8*35 Screw for Step (AISI304 or AISI316)

NSF&SFF 515-P need 5pcs of Ladder Plastic Step and 10pcs of M8*35 Screw for Step (AISI304 or AISI316)

MU SERIES LADDER INSTALLATION FOR CONCRETE POOL

Key No.	Part No.	Description	Qty
1	03016137	Ladders Left Hand-Side (AISI304) for MUF215 (Flange)	1
1	03016138	Ladders Left Hand-Side (AISI304) for MUF315 (Flange)	1
1	03016139	Ladders Left Hand-Side (AISI304) for MUF415 (Flange)	1
1	03016140	Ladders Left Hand-Side (AISI304) for MUF515 (Flange)	1
1	03016204	Ladders Left Hand-Side (AISI316) for MUF215 (Flange)	1
1	03016205	Ladders Left Hand-Side (AISI316) for MUF315 (Flange)	1
1	03016206	Ladders Left Hand-Side (AISI316) for MUF415 (Flange)	1
1	03016207	Ladders Left Hand-Side (AISI316) for MUF515 (Flange)	1
2	03016141	Ladders Right Hand-Side (AISI304) for MUF215 (Flange)	1
2	03016142	Ladders Right Hand-Side (AISI304) for MUF315 (Flange)	1
2	03016143	Ladders Right Hand-Side (AISI304) for MUF415 (Flange)	1
2	03016144	Ladders Right Hand-Side (AISI304) for MUF515 (Flange)	1
2	03016208	Ladders Right Hand-Side (AISI316) for MUF215 (Flange)	1
2	03016209	Ladders Right Hand-Side (AISI316) for MUF315 (Flange)	1
2	03016210	Ladders Right Hand-Side (AISI316) for MUF415 (Flange)	1
2	03016211	Ladders Right Hand-Side (AISI316) for MUF515 (Flange)	1
3	03016046	Cover	2
4	112000078	M8*50 Screw	8
5*	89070102	Ladders Stainless Steel Step (AISI304)	*
5*	89070105	Ladders Stainless Steel Step (AISI316)	*
5*	01051173	Ladders Plastic Step	*



MU SERIES LADDER INSTALLATION FOR CONCRETE POOL

5*	89070107	Ladders Stainless Steel Step (AISI316) with Anti-Slippery Pad	*
5*	89070108	Ladders Stainless Steel Step (AISI304) with Anti-Slippery Pad	*
6	02141006	Anti-Slippery Pad	*
7	112000069	M8*35 Screw for Step (AISI304)	*
7	112010126	M8*35 Screw for Step (AISI316)	*
8	89070104	Cap	2
9	03016085	Ladders Left Hand-Side (AISI304) for NMU215	1
9	03016086	Ladders Left Hand-Side (AISI304) for NMU315	1
9	03016087	Ladders Left Hand-Side (AISI304) for NMU415	1
9	03016088	Ladders Left Hand-Side (AISI304) for NMU515	1
9	03016172	Ladders Left Hand-Side (AISI316) for NMU215	1
9	03016173	Ladders Left Hand-Side (AISI316) for NMU315	1
9	03016174	Ladders Left Hand-Side (AISI316) for NMU415	1
9	03016175	Ladders Left Hand-Side (AISI316) for NMU515	1
10	03016089	Ladders Right Hand-Side (AISI304) for NMU215	1
10	03016090	Ladders Right Hand-Side (AISI304) for NMU315	1
10	03016091	Ladders Right Hand-Side (AISI304) for NMU415	1
10	03016092	Ladders Right Hand-Side (AISI304) for NMU515	1
10	03016176	Ladders Right Hand-Side (AISI316) for NMU215	1
10	03016177	Ladders Right Hand-Side (AISI316) for NMU315	1
10	03016178	Ladders Right Hand-Side (AISI316) for NMU415	1
10	03016179	Ladders Right Hand-Side (AISI316) for NMU515	1
11	89070101	Anchor Type Fittings (Concrete Pool)	2

Notes:

NMU&MUF 215-S need 2pcs of Ladder Stainless Steel step and 4pcs of M8*35 Screw for Step (AISI304 or AISI316)

NMU&MUF 315-S need 3pcs of Ladder Stainless Steel step and 6pcs of M8*35 Screw for Step (AISI304 or AISI316)

NMU&MUF 415-S need 4pcs of Ladder Stainless Steel step and 8pcs of M8*35 Screw for Step (AISI304 or AISI316)

NMU&MUF 515-S need 5pcs of Ladder Stainless Steel step and 10pcs of M8*35 Screw for Step (AISI304 or AISI316)

NMU&MUF 215-SR need 2pcs of Ladder Stainless Steel Step with Anti-Slippery Pad and 4pcs of Anti-Slippery Pad and 4pcs of M8*35 Screw for Step (AISI304 or AISI316)

NUM&MUF 315-SR need 3pcs of Ladder Stainless Steel Step with Anti-Slippery Pad and 6pcs of Anti-Slippery Pad and 6pcs of M8*35 Screw for Step (AISI304 or AISI316)

NUM&MUF 415-SR need 4pcs of Ladder Stainless Steel Step with Anti-Slippery Pad and 8pcs of Anti-Slippery Pad and 8pcs of M8*35 Screw for Step (AISI304 or AISI316)

NUM&MUF 515-SR need 5pcs of Ladder Stainless Steel Step with Anti-Slippery Pad and 10pcs of Anti-Slippery Pad and 10pcs of M8*35 Screw for Step (AISI304 or AISI316)

NUM&MUF 215-P need 2pcs of Ladder Plastic Step and 4pcs of M8*35 Screw for Step (AISI304 or AISI316)

NUM&MUF 315-P need 3pcs of Ladder Plastic Step and 6pcs of M8*35 Screw for Step (AISI304 or AISI316)

NUM&MUF 415-P need 4pcs of Ladder Plastic Step and 8pcs of M8*35 Screw for Step (AISI304 or AISI316)

NUM&MUF 515-P need 5pcs of Ladder Plastic Step and 10pcs of M8*35 Screw for Step (AISI304 or AISI316)

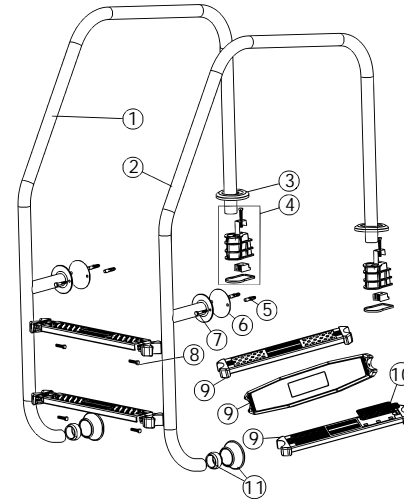
OF SERIES OVERFLOW LADDERS INSTALLATION FOR CONCRETE POOL

Key No.	Part No.	Description	Qty
1	03016155	Ladders Left Hand-Side (AISI304) for OF215	1
1	03016156	Ladders Left Hand-Side (AISI304) for OF315	1
1	03016157	Ladders Left Hand-Side (AISI304) for OF415	1
1	03016158	Ladders Left Hand-Side (AISI304) for OF515	1
1	03016163	Ladders Left Hand-Side (AISI316) for OF215	1
1	03016164	Ladders Left Hand-Side (AISI316) for OF315	1
1	03016165	Ladders Left Hand-Side (AISI316) for OF415	1
1	03016166	Ladders Left Hand-Side (AISI316) for OF515	1
2	03016159	Ladders Right Hand-Side (AISI304) for OF215	1
2	03016160	Ladders Right Hand-Side (AISI304) for OF315	1
2	03016161	Ladders Right Hand-Side (AISI304) for OF415	1
2	03016162	Ladders Right Hand-Side (AISI304) for OF515	1
2	03016167	Ladders Right Hand-Side (AISI316) for OF215	1
2	03016168	Ladders Right Hand-Side (AISI316) for OF315	1
2	03016169	Ladders Right Hand-Side (AISI316) for OF415	1
2	03016170	Ladders Right Hand-Side (AISI316) for OF515	1
3	03016046	Cover	2
4	89070101	Anchor Type Fittings (Concrete Pool)	2

Notes:

OFF 215-S need 2pcs of Ladder Stainless Steel step and 4pcs of M8*35 Screw for Step (AISI304 or AISI316)
 OFF 315-S need 3pcs of Ladder Stainless Steel step and 6pcs of M8*35 Screw for Step (AISI304 or AISI316)
 OFF 415-S need 4pcs of Ladder Stainless Steel step and 8pcs of M8*35 Screw for Step (AISI304 or AISI316)
 OFF 515-S need 5pcs of Ladder Stainless Steel step and 10pcs of M8*35 Screw for Step (AISI304 or AISI316)
 OFF 215-SR need 2pcs of Ladder Stainless Steel Step with Anti-Slippery Pad and 4pcs of Anti-Slippery Pad and 4pcs of M8*35 Screw for Step (AISI304 or AISI316)
 OFF 315-SR need 3pcs of Ladder Stainless Steel Step with Anti-Slippery Pad and 6pcs of Anti-Slippery Pad and 6pcs of M8*35 Screw for Step (AISI304 or AISI316)
 OFF 415-SR need 4pcs of Ladder Stainless Steel Step with Anti-Slippery Pad and 8pcs of Anti-Slippery Pad and 8pcs of M8*35 Screw for Step (AISI304 or AISI316)
 OFF 515-SR need 5pcs of Ladder Stainless Steel Step with Anti-Slippery Pad and 10pcs of Anti-Slippery Pad and 10pcs of M8*35 Screw for Step (AISI304 or AISI316)
 OFF 215-P need 2pcs of Ladder Plastic Step and 4pcs of M8*35 Screw for Step (AISI304 or AISI316)
 OFF 315-P need 3pcs of Ladder Plastic Step and 6pcs of M8*35 Screw for Step (AISI304 or AISI316)
 OFF 415-P need 4pcs of Ladder Plastic Step and 8pcs of M8*35 Screw for Step (AISI304 or AISI316)
 OFF 515-P need 5pcs of Ladder Plastic Step and 10pcs of M8*35 Screw for Step (AISI304 or AISI316)

5	01101041	Plastic Wall Fittings for Screws	4
6	02091003	PE Washer	2
7	112000078	M8*50 Screw	4
8	112000069	M8*35 Screw for Step (AISI304)	*
8	112010126	M8*35 Screw for Step (AISI316)	*
9	89070102	Ladders Stainless Steel Step (AISI304)	*
9	89070105	Ladders Stainless Steel Step	*
9	01051173	Ladders Plastic Step	*
9	89070107	Ladders Stainless Steel Step (AISI316) with Anti-Slippery Pad	*
9	89070108	Ladders Stainless Steel Step (AISI304) with Anti-Slippery Pad	*
10	02141006	Anti-Slippery Pad	*
11	89070104	Cap	2



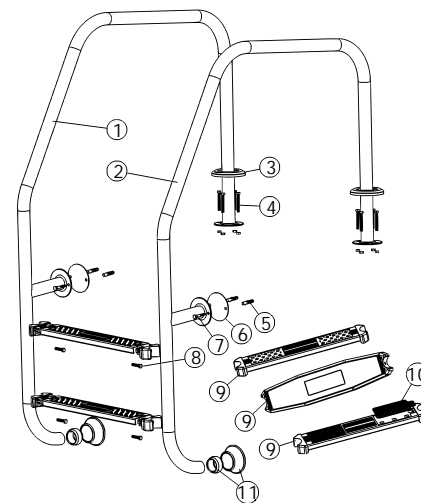
OFF SERIES OVERFLOW LADDERS INSTALLATION FOR WOODEN POOL

Key No.	Part No.	Description	Qty
1	03016236	Ladders Left Hand-Side (AISI304) for OFF215 (Flange)	1
1	03016237	Ladders Left Hand-Side (AISI304) for OFF315 (Flange)	1
1	03016238	Ladders Left Hand-Side (AISI304) for OFF415 (Flange)	1
1	03016239	Ladders Left Hand-Side (AISI304) for OFF515 (Flange)	1
1	03016244	Ladders Left Hand-Side (AISI316) for OFF215 (Flange)	1
1	03016245	Ladders Left Hand-Side (AISI316) for OFF315 (Flange)	1
1	03016246	Ladders Left Hand-Side (AISI316) for OFF415 (Flange)	1
1	03016247	Ladders Left Hand-Side (AISI316) for OFF515 (Flange)	1
2	03016240	Ladders Right Hand-Side (AISI304) for OFF215 (Flange)	1
2	03016241	Ladders Right Hand-Side (AISI304) for OFF315 (Flange)	1
2	03016242	Ladders Right Hand-Side (AISI304) for OFF415 (Flange)	1
2	03016243	Ladders Right Hand-Side (AISI304) for OFF515 (Flange)	1
2	03016248	Ladders Right Hand-Side (AISI316) for OFF215 (Flange)	1
2	03016249	Ladders Right Hand-Side (AISI316) for OFF315 (Flange)	1
2	03016250	Ladders Right Hand-Side (AISI316) for OFF415 (Flange)	1
2	03016251	Ladders Right Hand-Side (AISI316) for OFF515 (Flange)	1
3	03016046	Cover	2
4	112000078	M8*50 Screw	8

5	01101041	Plastic Wall Fitting for Screw	4
6	02091003	PE Washer	2
7	112000078	M8*50 Screw	4
8	112000069	M8*35 Screw for Step (AISI304)	*
8	112010126	M8*35 Screw for Step (AISI316)	*
9	89070102	Ladders Stainless Steel Step (AISI304)	*
9	89070105	Ladders Stainless Steel Step (AISI316)	*
9	01051173	Ladders Plastic Step	*
9	89070107	Ladders Stainless Steel Step (AISI316) with Anti-Slippery Pad	*
9	89070108	Ladders Stainless Steel Step (AISI304) with Anti-Slippery Pad	*
10	02141006	Anti-Slippery Pad	*
11	89070104	Cap	2

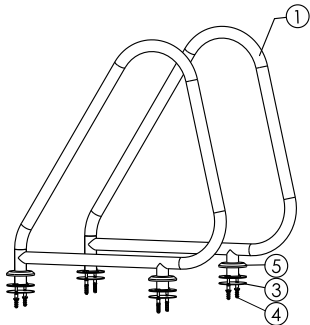
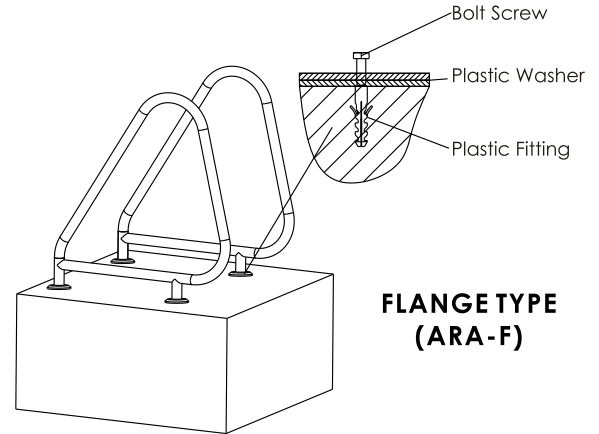
Notes:

OFF 215-S need 2pcs of Ladder Stainless Steel step and 4pcs of M8*35 Screw for Step (AISI304 or AISI316)
 OFF 315-S need 3pcs of Ladder Stainless Steel step and 6pcs of M8*35 Screw for Step (AISI304 or AISI316)
 OFF 415-S need 4pcs of Ladder Stainless Steel step and 8pcs of M8*35 Screw for Step (AISI304 or AISI316)
 OFF 515-S need 5pcs of Ladder Stainless Steel step and 10pcs of M8*35 Screw for Step (AISI304 or AISI316)
 OFF 215-SR need 2pcs of Ladder Stainless Steel Step with Anti-Slippery Pad and 4pcs of Anti-Slippery Pad and 4pcs of M8*35 Screw for Step (AISI304 or AISI316)
 OFF 315-SR need 3pcs of Ladder Stainless Steel Step with Anti-Slippery Pad and 6pcs of Anti-Slippery Pad and 6pcs of M8*35 Screw for Step (AISI304 or AISI316)
 OFF 415-SR need 4pcs of Ladder Stainless Steel Step with Anti-Slippery Pad and 8pcs of Anti-Slippery Pad and 8pcs of M8*35 Screw for Step (AISI304 or AISI316)
 OFF 515-SR need 5pcs of Ladder Stainless Steel Step with Anti-Slippery Pad and 10pcs of Anti-Slippery Pad and 10pcs of M8*35 Screw for Step (AISI304 or AISI316)
 OFF 215-P need 2pcs of Ladder Plastic Step and 4pcs of M8*35 Screw for Step (AISI304 or AISI316)
 OFF 315-P need 3pcs of Ladder Plastic Step and 6pcs of M8*35 Screw for Step (AISI304 or AISI316)
 OFF 415-P need 4pcs of Ladder Plastic Step and 8pcs of M8*35 Screw for Step (AISI304 or AISI316)
 OFF 515-P need 5pcs of Ladder Plastic Step and 10pcs of M8*35 Screw for Step (AISI304 or AISI316)

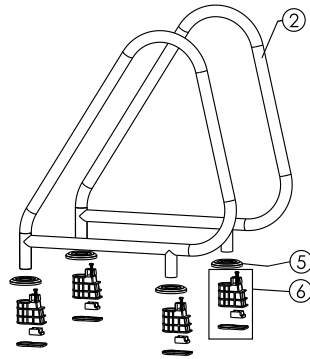


ARA SERIES EXIT HANDRAILS INSTALLATION

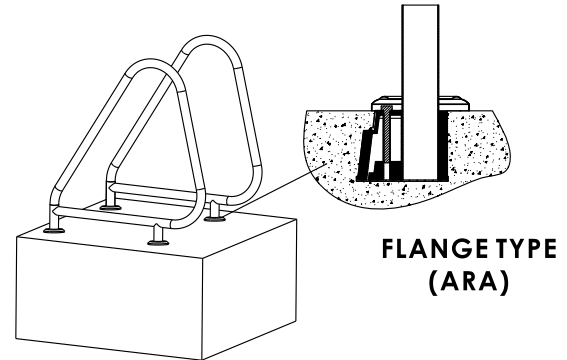
Key No.	Part No.(#304)	Part No.(#316)	Product Description	Qty
1	03016109	03016817	ARAF Series Exit Handrails (Flange Type)	2
2	03016839	03016838	ARA Series Exit Handrails (Anchor Type)	2
3	02091003	02091003	Plastic Washer (Flange Type)	4
4	03011107	03011107	M8*50 Screw (Flange Type)	8
	01101041	01101041	Plastic wall Fitting for Screw (Flange Type)	8
5	03016046	03016046	Cover for ARA & ARA-F	4
6	89070101	89070101	Anchor Type	4



ANCHOR TYPE (ARA-F)

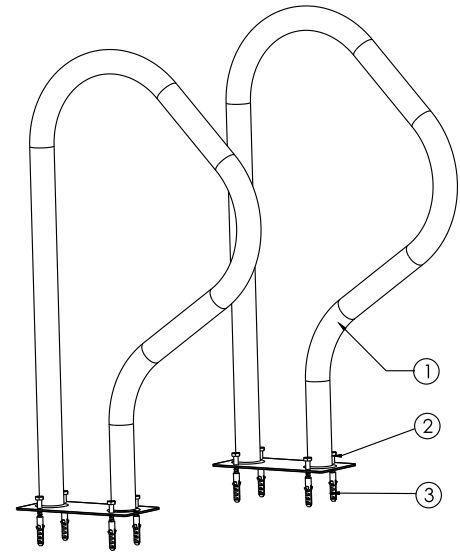
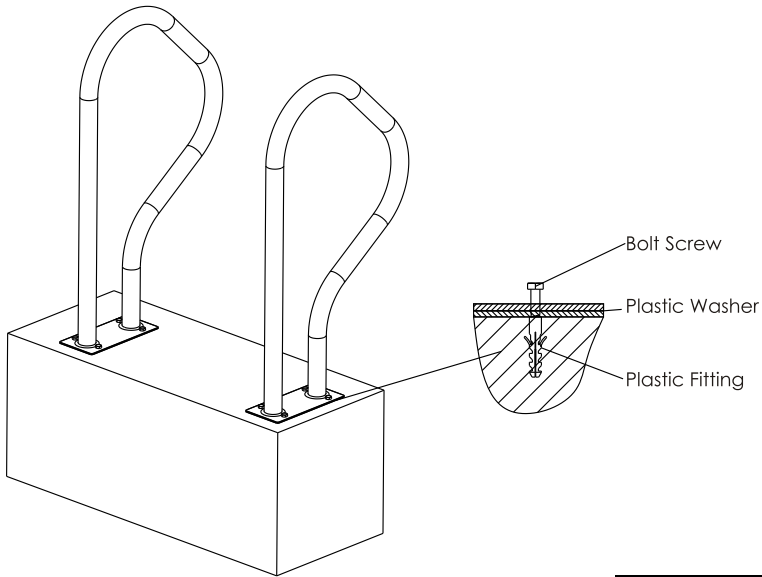


ANCHOR TYPE (ARA)



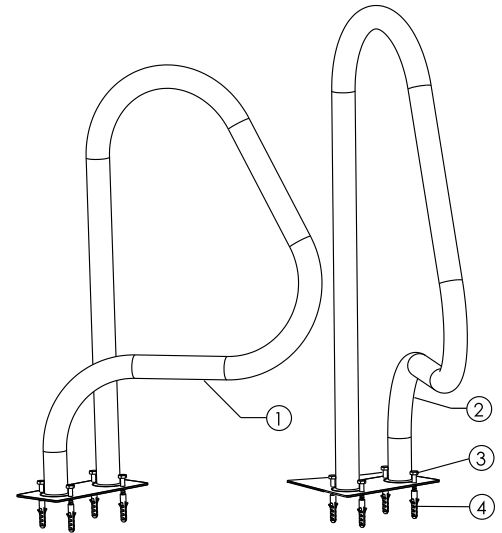
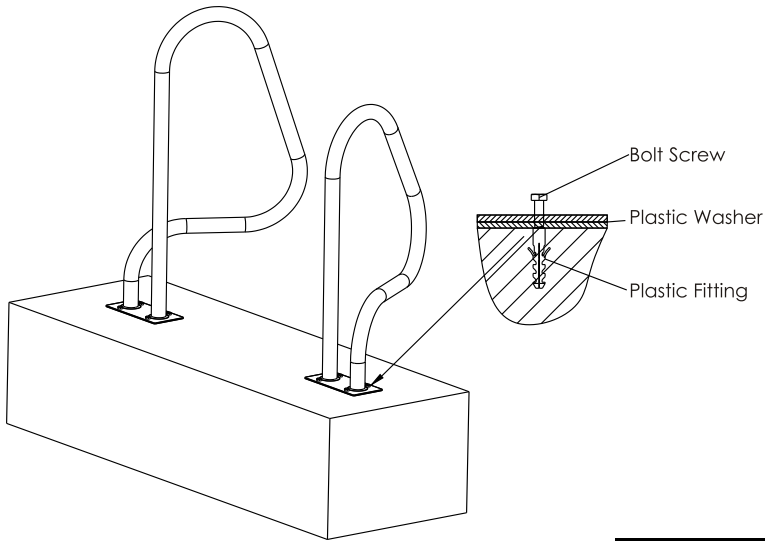
ARB SERIES EXIT HANDRAILS INSTALLATION

Key No.	Part No.(#304)	Part No.(#316)	Product Description	Qty
1	03016820	03016112	ARB-F Exit Handrails(Flange Type)	2
2	03011107	03011107	M8*50 Screw	8
3	01101041	01101041	Plastic wall Fitting for Screw	8



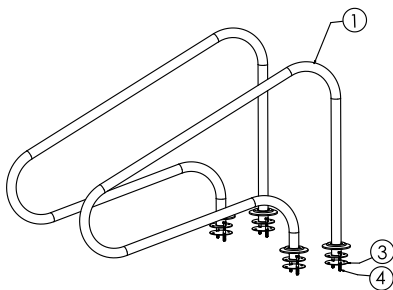
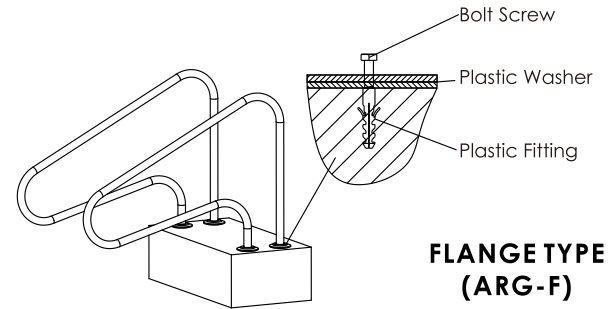
ARC SERIES EXIT HANDRAILS INSTALLATION

Key No.	Part No.(#304)	Part No.(#316)	Product Description	Qty
1	03016117	03016825	ARC-F Ladders Right Hand-Side (Flange)	1
2	03016118	03016826	ARC-F Ladders Left Hand-Side (Flange)	1
3	03011107	03011107	M8*50 Screw	8
4	01101041	01101041	Plastic wall Fitting for Screw	8

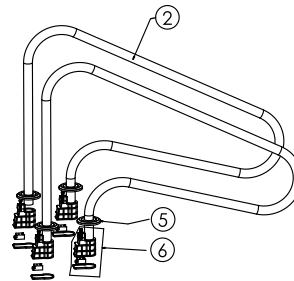


ARG SERIES EXIT HANDRAILS INSTALLATION

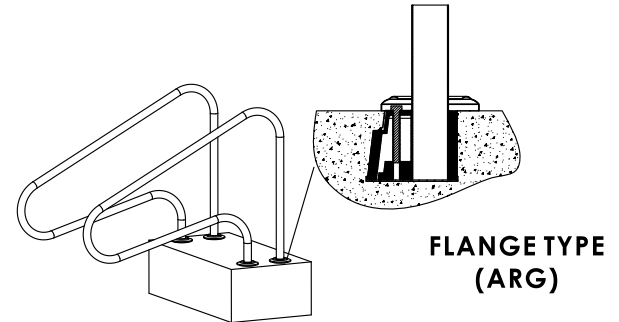
Key No.	Part No.(#304)	Part No.(#316)	Product Description	Qty
1	03016819	03016111	ARG-F Series Exit Handrails (Flange Type)	2
2	03016110	03016818	ARG Series Exit Handrails (Anchor Type) (#316)	2
3	02091003	02091003	Plastic Washer	8
4	03011107	03011164	M8*50 Bolt Screw (#304)	8
	01101041	01101041	Plastic Fitting for Bolt Screw	8
5	03016046	03016046	Cover	4
6	89070101	89070101	Anchor Type (Concrete Pool)	4



ANCHOR TYPE (ARG-F)

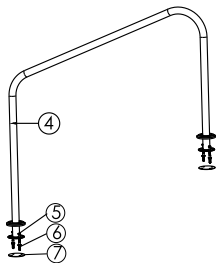
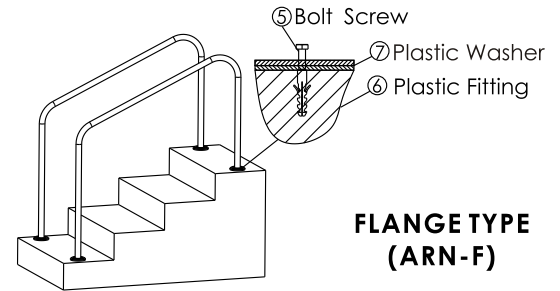


ANCHOR TYPE (ARG)

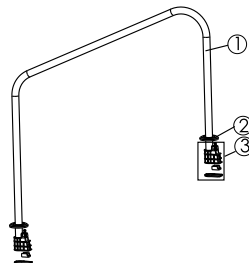


ARN SERIES EXIT HANDRAILS INSTALLATION

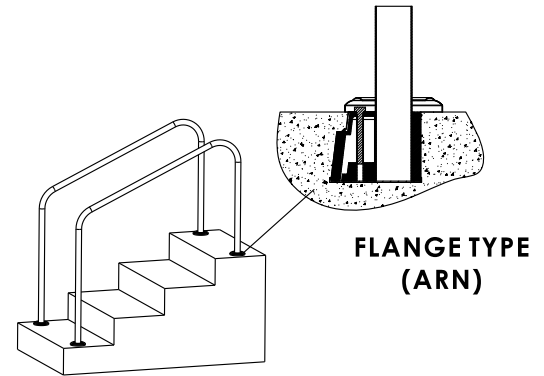
Key No.	Part No.(#304)	Part No.(#316)	Product Description	Qty
1	03016115	03016823	ARN415 Exit Handrails (Anchor Type)	1
	03016116	03016824	ARN515 Exit Handrails (Anchor Type)	1
2	03016046	03016046	Cover	2
3	89070101	89070101	Anchor Type (Concrete Pool)	2
4	03016835	03016833	ARN415-F Exit Handrails (Flange Type)	1
	03016836	03016834	ARN515-F Exit Handrails (Flange Type)	1
5	03011107	03011164	M8*50 Bolt Screw (#316)	8
6	01101041	01101041	Plastic Fitting for Bolt Screw	8
7	02091003	02091003	Plastic Washer	2



**ANCHOR TYPE
(ARN-F)**

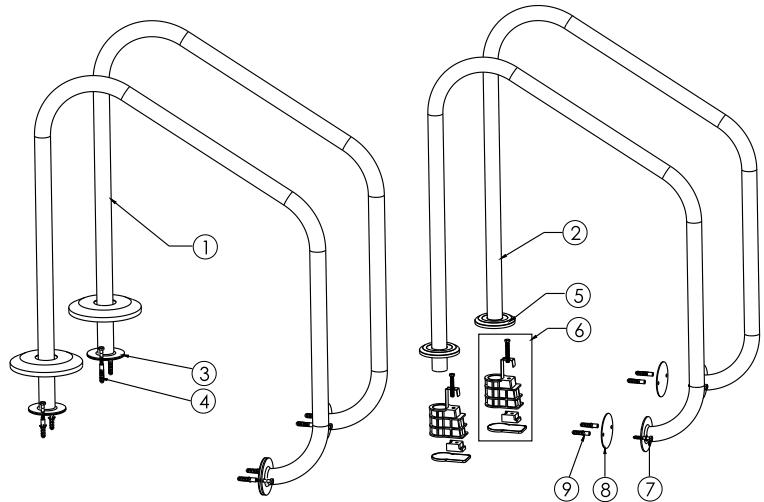


**ANCHOR TYPE
(ARN)**



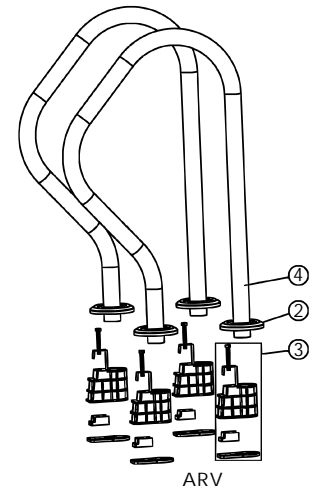
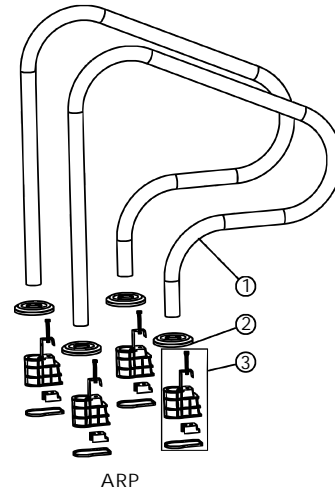
ARS SERIES EXIT HANDRAILS INSTALLATION

Key No.	Part No.	Product Description	Qty
1	03016114	ARS Series Exit Handrails (Flange Type) (#304)	2
	03016821	ARS Series Exit Handrails (Flange Type) (#316)	2
2	03016837	ARS Series Exit Handrails (Anchor Type) (#304)	2
	03016832	ARS Series Exit Handrails (Anchor Type) (#316)	2
3	02091003	Plastic Washer	4
4	03011107	M8*50 Screw	8
	01101041	Plastic wall Fitting for Screw	8
5	03016046	Cover	2
6	89070101	Anchor Type (Concrete Pool)	2
7	03011107	M8*50 Screw	4
8	02091003	Plastic Washer	2
9	01101041	Plastic wall Fitting for Screw	4



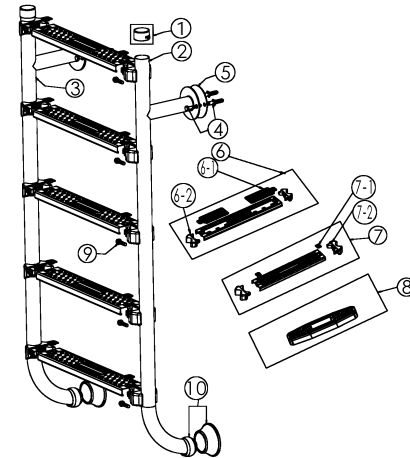
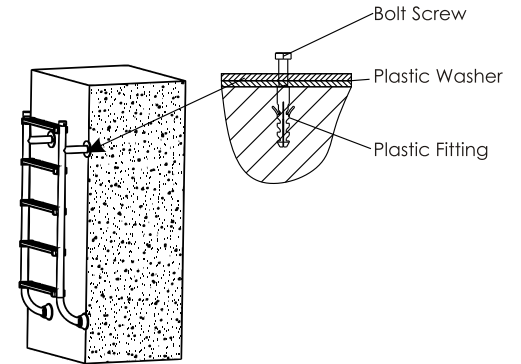
ARP & ARV SERIES EXIT HANDRAILS INSTALLATION

Key No.	Part No.	Description	Qty
1	03016228	ARP Stainless Steel Handrails Installation for Concrete Pool #316	2
1	03016153	ARP Stainless Steel Handrails Installation for Concrete Pool #304	2
2	03016046	Anchor Type Fittings (Concrete Pool)	4
3	89070101	ARV Stainless Steel Handrails Installation for Concrete Pool #316	4
4	03016229	ARV Stainless Steel Handrails Installation for Concrete Pool #304	2
4	03016154	ARV Stainless Steel Handrails Installation for Concrete Pool #304	2



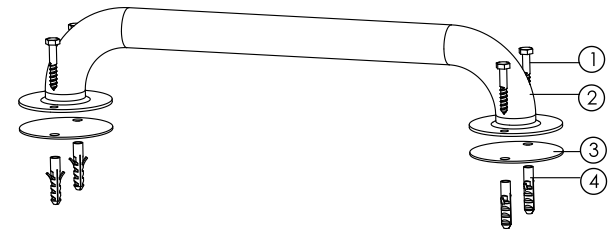
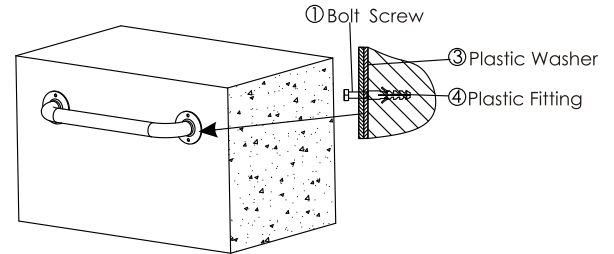
BHL SERIES EXIT HANDRAILS INSTALLATION

Key No.	Part No.(#304)	Part No.(#316)	Product Description	Qty
1	03016227	03016226	End cap with Screw	2
2	03016258	03016809	BHL215 Ladders Right Hand-Side	1
	03016259	03016810	BHL315 Ladders Right Hand-Side	1
	03016260	03016811	BHL415 Ladders Right Hand-Side	1
	03016261	03016812	BHL515 Ladders Right Hand-Side	1
3	03016262	03016813	BHL215 Ladders Left Hand-Side(#304)	1
	03016263	03016814	BHL315 Ladders Left Hand-Side(#304)	1
	03016264	03016815	BHL415 Ladders Left Hand-Side(#304)	1
	03016265	03016816	BHL515 Ladders Left Hand-Side(#304)	1
4	89073901	89073902	M8*50 Bolt with Plastic Fitting(#304)	4
5	02091003	02091003	Plastic Washer	2
6	89070108	89070107	Stainless Steel Step (Plastic Anti-slip Version)	1
6-1	02311009	02311009	Plastic Anti-Slip	2
6-2	01111020	01111020	Plastic Fixture	2
7	89070102	89070105	Stainless Steel Step	1
7-1	01112009	01112009	Plastic Flap	2
7-2	01111020	01111020	Plastic Fixture	2
8	01051173	01051173	Plastic Step	1
9	112000069	112010126	M8*35 Screw for Step	2
10	89070104	89070104	Cap	2



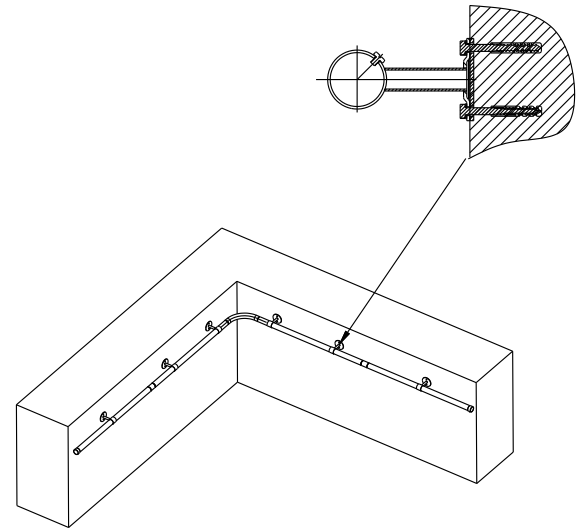
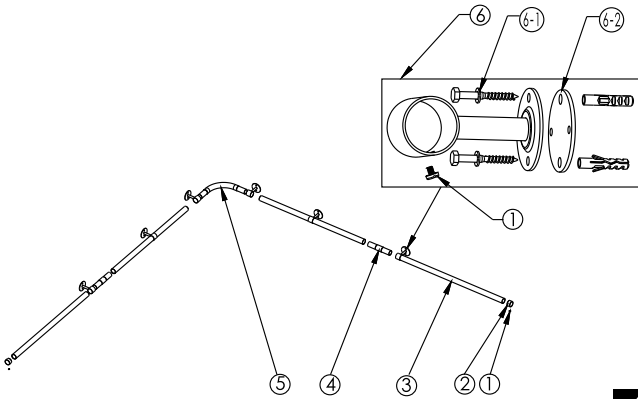
STRAIGHT STRAIGHT GRABRAIL INSTALLATION

Key No.	Part No.(#304)	Part No.(#316)	Product Description	Qty
1	03011107	03011164	M8*50 Bolt Screw	4
2	03016100	03016800	0.5m Ladders Hand-Side (Flange Type)	1
	03016101	03016801	1.0m Ladders Hand-Side (Flange Type)	1
	03016102	03016802	1.5m Ladders Hand-Side (Flange Type)	1
	03016103	03016803	2.0m Ladders Hand-Side (Flange Type)	1
	03016104	03016804	2.5m Ladders Hand-Side (Flange Type)	1
	03016105	03016805	3.0m Ladders Hand-Side (Flange Type)	1
3	02091003	02091003	Plastic Washer	2
4	01101041	01101041	Plastic Fitting for Bolt Screw	4



HANDRAIL COMPONENTS INSTALLATION

Key No.	Part No.(#304)	Part No.(#316)	Product Description	Qty
1	03011167	03011172	M5*6 Bolt	1
2	03016227	03016226	End Cap	1
3	03016221	03016220	Straight Handrails	1
4	03016223	03016222	Straight Connector	1
5	03016225	03016224	Curved Connector	1
6	08070002	08070001	Straight bracket with base plate	1
6-1	89070109	89070110	M6*50 Bolt with Plastic Fitting	1
6-2	02091003	02091003	Plastic Washer	1



BHK SERIES EXIT HANDRAILS INSTALLATION

Item	Part No . (#304)	Part No . (#316)	Product Description	Qty
1	02051009	02051009	Plastic Washer	2
2	03016054	03016302	Flange	2
3	03011106	03011306	M8 *16 Screw	2
4	03011107	03011164	M8 *50 Screw with Plastic wall Fitting	4
5	03016062	03016321	BHK215 Ladders Left Hand -Side	1
	03016064	03016323	BHK315 Ladders Left Hand -Side	1
	03016066	03016325	BHK415 Ladders Left Hand -Side	1
	03016068	03016327	BHK515 Ladders Left Hand -Side	1
6	03016061	03016320	BHK215 Ladders Right Hand -Side	1
	03016063	03016322	BHK315 Ladders Right Hand -Side	1
	03016065	03016324	BHK415 Ladders Right Hand -Side	1
	03016067	03016326	BHK515 Ladders Right Hand -Side	1
7	89070108	89070107	Stainless Steel Step(Plastic Anti-slip Version)	1
7 -1	02311009	02311009	Plastic Anti -Slip	2
7 -2	01111020	01111020	Plastic Fixture	2
8	89070102	89070105	Stainless Steel Step	1
8 -1	01112009	01112009	Plastic Flap	2
8 -2	01111020	01111020	Plastic Fixture	2
9	01051173	01051173	Plastic Step	1
10	112000069	112010126	M8 *35 Screw for Step	2
11	89070104	89070104	Cap	2

