

Sand Filter System **FSM SERIES**

EASY TO SETUP AND OPERATE

For residential and semi-commercial pools



Product Features

1. PVC & ABS lateral system
2. Unique one-piece clamp with screw-type lock design to simplify installation and allow tool-free servicing
3. Oil filled pressure gauge for easy inspection of the operation pressure
4. Combine with SPH Series pump which is self-priming up to 3.3m above water level, with IPX5 waterproof standard certified and built-in thermal protected

 **Emaux**
water technology

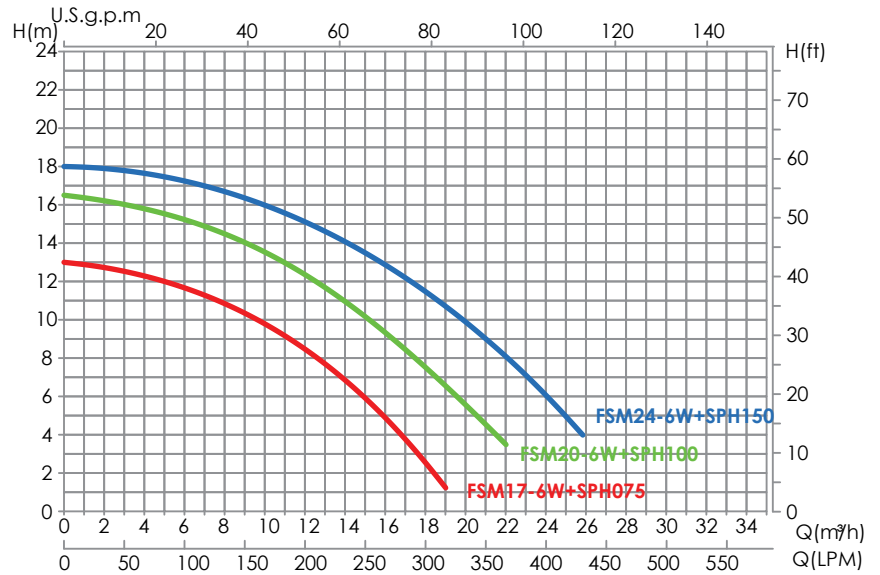
Sand Filter System - FSM Series

For residential and semi-commercial pools

Max Operating Pressure
40psi(2.8bar)

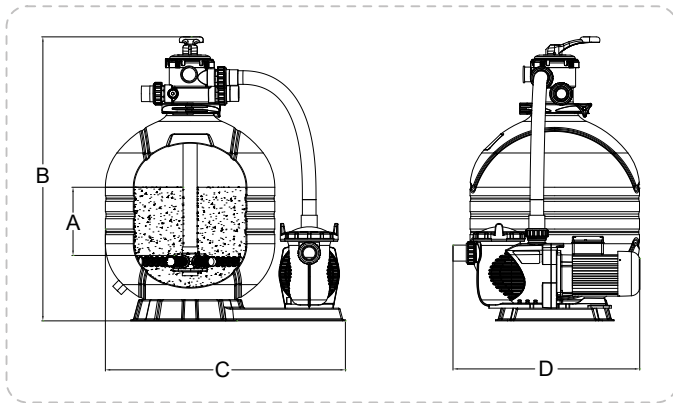
Max Temperature
50°C (122°F)

Suggested Size Of Media
0.5-0.8mm



Product Information and Dimension

Code	Model	Filter	Pump	Sand (kg)	A (mm)	B (mm)	C (mm)	D (mm)	Filter & Pump In/Out Connection
9070602	FSM17-6W+SPH075	MFV17	SPH075	40	195	816	762.5	652	1.5" / 50 mm
9070603	FSM20-6W+SPH100	MFV20	SPH100	70	225	889	800	652	1.5" / 50 mm
9070604	FSM24-6W+SPH150	MFV24	SPH150	125	280	980	850	652	1.5" / 50 mm



FSM Filtration Combo

includes:

- 1) Durable top mount plastic filter tank (Max Series Filter)
- 2) 6-Way Multiport Valve
- 3) SPH Series Pump



EMAUX WATER TECHNOLOGY CO., LTD

ADDRESS Flat A-D, 20/F., Kai Bo 22, 22 Wing Kin Road, Kwai Chung, HK

PHONE +852 2832 9880

www.emauxgroup.com

Pool & Spa Equipment

YOUR PREMIER SUPPLIER

Available from:

ALL SPECIFICATIONS ARE SUBJECT TO CHANGE WITHOUT NOTICE
© 2021 EMAUX WATER TECHNOLOGY CO., LTD. ALL RIGHTS RESERVED.