



**CATALOGUE
2023**

ESPA UK

Centrifugal single stage pump for water recirculation and filtration

Applications

Water recirculation and filtration for small swimming pools.
Silent.
Self-priming up to 4m.

Materials

Pump body, impeller, diffuser, suction and discharge in technopolymer.
Pump shaft in AISI 431.
Mechanical seal.
Motor casing in aluminium.
O-rings in NBR/EPDM.

Equipment

No cable.
Unions included 50mm and 1^{1/2}".

Motor

Asynchronous 2 poles.
IPX5 protection.
Class F insulation.
Built-in thermal protection.
Continuous operation.

Limitations

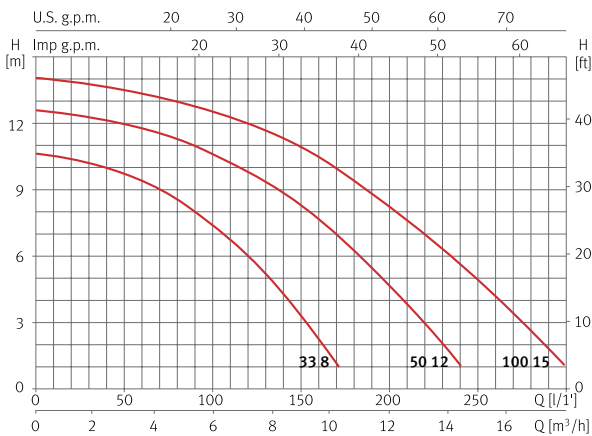
Maximum water temperature 40 °C.



Hydraulic performance table

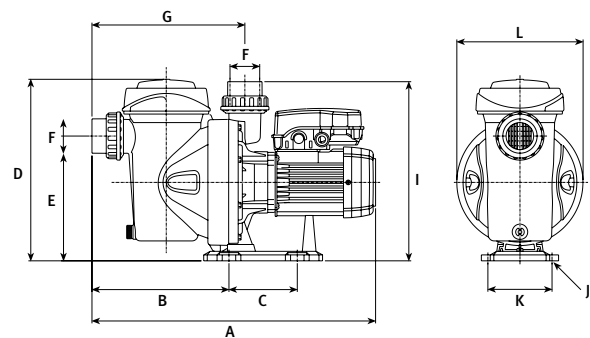
Model	I [A]	P1 [kW]	P2		c [μF]	l/min	25	50	75	100	150	200	250	290	Code
	1~230V	1~	[kW]	[HP]			m ³ /h	1,5	3,0	4,5	6,0	9,0	12	15	
Silen I 33 8	2	0,45	0,25	0,33	12	mwc	10,2	9,7	8,6	7,2	3,2	-	-	-	00203144
Silen I 50 12	2,8	0,65	0,37	0,5	12		12,3	11,9	11,3	10,5	8,1	4,6	-	-	00203145
Silen I 100 15	3,8	0,85	0,75	1	12		13,8	13,3	13	12,5	10,8	8,1	4,8	1,8	00203146

Performance curve at 2900 rpm



Dimension and weight

Model	A	B	C	D	E	F	G	I	J	K	L	Kg
Silen I 33	439	192	115	304	210	50	221	264	Ø9	108	212	8,9
Silen I 50	439	192	115	304	210	50	221	264	Ø9	108	212	10,2
Silen I 100	439	192	115	304	210	50	221	264	Ø9	108	212	10,9



Centrifugal single stage pump for water recirculation and filtration

Applications

Water recirculation and filtration for medium swimming pools.
Silent.
Self-priming up to 4m.

Materials

Pump body, impeller, diffuser, suction and discharge in technopolymer.
Pump shaft in AISI 431.
Mechanical seal.
Motor casing in aluminium.
O-rings in NBR/EPDM.

Equipment

No cable.
Unions included 50mm and 1^{1/2}".

Motor

Asynchronous 2 poles.
IPX5 protection.
Class F insulation.
Single phase motor with built-in thermal protection.
Continuous operation.

Limitations

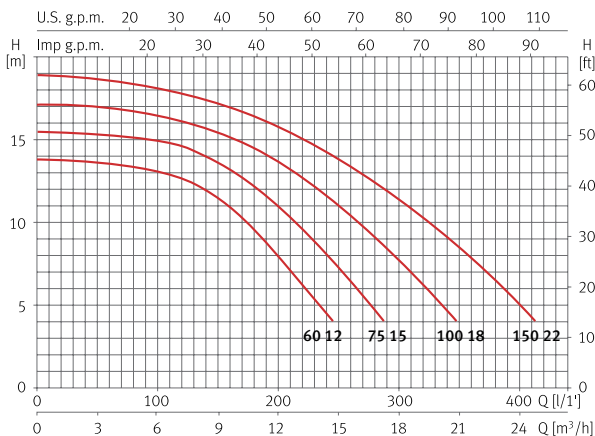
Maximum water temperature 40 °C.



Hydraulic performance table

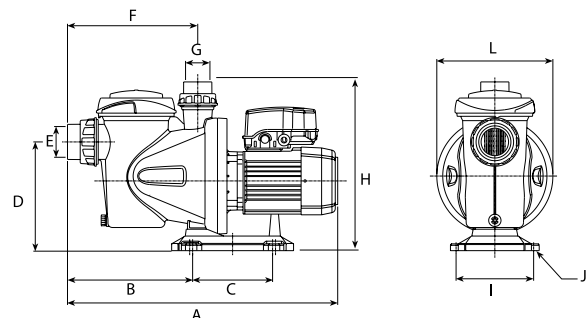
Model	I [A]			P1 [kW]		P2		c [μF]	l/min	40	80	120	160	215	265	325	400	Code	
	1~230V	3~230V	3~400V	1~	3~	[kW]	[HP]											1~230V (Model M)	3~230V/400V (Model T)
Silen S 60 12	3,7	2,4	1,4	0,8	0,8	0,44	0,6	16	m ³ /h	2,4	4,8	7,2	9,6	12,9	15,9	19,5	24	00203147	00203151
Silen S 75 15	5,5	3,3	1,9	1,2	1	0,55	0,75	16	mwc	13,6	13,2	12,6	10,9	6,7	-	-	-	00203148	00203152
Silen S 100 18	6	3,8	2,2	1,4	1,2	0,75	1	16	m ³ /h	15,2	15	14,5	13,1	9,9	6	-	-	00203149	00203153
Silen S 150 22	7,1	4,8	2,8	1,6	1,6	1,1	1,5	25	mwc	16,9	16,5	16	15	12,9	10	5,9	-	00203150	00203154
									m ³ /h	18,6	18,2	17,7	16,9	15,1	13	10	5,1		

Performance curve at 2900 rpm



Dimension and weight

Model	A	B	C	D	E	F	G	H	I	J	L	Kg
Silen S 60	555	257	164	225	50	267	50	347	159	Ø9	238	8,9
Silen S 75	555	257	164	225	50	267	50	347	159	Ø9	238	10,2
Silen S 100	555	257	164	225	50	267	50	347	159	Ø9	238	10,9
Silen S 150	577	257	164	225	50	267	50	347	159	Ø9	238	13,5



Centrifugal single stage pump for water recirculation and filtration

Applications

Water recirculation and filtration for large swimming pools.
Silent.
Self-priming up to 4m.

Materials

Pump body, impeller, diffuser, suction and discharge in technopolymer.
Pump shaft in AISI 431.
Mechanical seal.
Motor casing in aluminium.
O-rings in NBR/EPDM.

Equipment

No cable.
Unions included 63mm and 2".

Motor

Asynchronous 2 poles.
IPX5 protection.
Class F insulation.
Single phase motor with built-in thermal protection.
Continuous operation.

Limitations

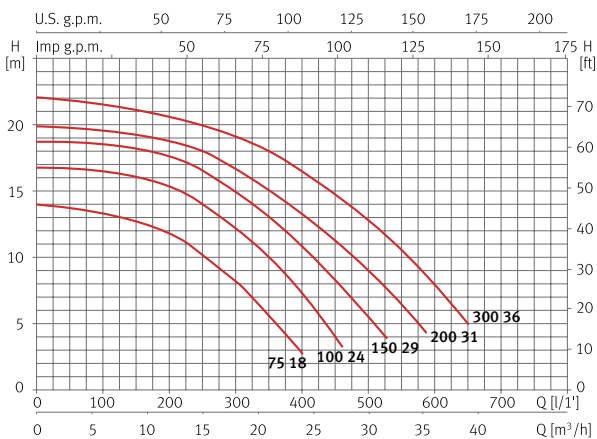
Maximum water temperature 40 °C.



Hydraulic performance table

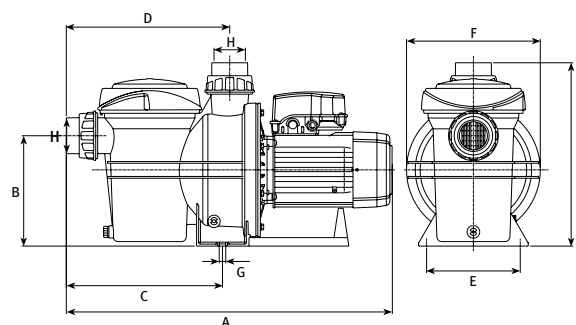
Model	I [A]			P1 [kW]		P2		c [μF]	l/min	m³/h								Code	
	1~230V	3~230V	3~400V	1~	3~	[kW]	[HP]			100	150	250	350	450	500	550	650	1~230V (Model M)	3~230V/400V (Model T)
Silen S2 75 18	4,5	3,8	2,2	1	1	0,55	0,75	25	mwc	13,2	12,8	10	5,5	-	-	-	-	00203155	00203160
Silen S2 100 24	7	4,8	2,8	1,5	1,6	0,9	1,2	25		16,5	16	14,2	10	4	-	-	-	00203156	00203161
Silen S2 150 29	8,5	5,3	3,1	1,9	1,9	1,1	1,5	25		18,5	18,2	16,5	13	8,2	5,5	-	-	00203157	00203162
Silen S2 200 31	9,7	6,5	3,8	2,2	2,2	1,5	2	30		19,5	19,1	18	15	11,1	9	6,3	-	00203158	00203163
Silen S2 300 36	12,5	8,6	5	2,8	2,6	2,2	3	60		21,5	21	19,9	18	14,9	12,9	10,3	5	00203159	00203164

Performance curve at 2900 rpm



Dimension and weight

Model	A	B	C	D	E	F	G	H	I	Kg
Silen S2 75	624	222	272	285	188	268	Ø13	63	327	14
Silen S2 100	624	222	272	285	188	268	Ø13	63	327	15
Silen S2 150	624	222	272	285	188	268	Ø13	63	327	18
Silen S2 200	624	222	272	285	188	268	Ø13	63	327	21
Silen S2 300	624	222	272	285	188	268	Ø13	63	327	23



Bomba centrífuga monoetapa para corriente de agua

Applications

Generation of a strong water stream to transform swimming pools into a place for sport and leisure.
Self-priming up to 4m.

Materials

Pump body, impeller, diffuser, suction and discharge in technopolymer.
Pump shaft in AISI 431.
Mechanical seal.
Motor casing in aluminium.
O-rings in NBR/EPDM.

Equipment

No cable.
Unions not included.

Motor

Asynchronous 2 poles.
IPX5 protection.
Class F insulation.
Single phase motor with built-in thermal protection.
Continuous operation.

Limitations

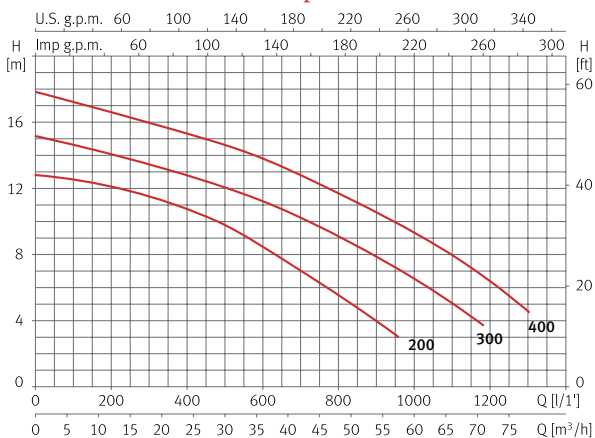
Maximum water temperature 40 °C..



Hydraulic performance table

Model	I [A]			P1 [kW]		P2		c [μF]	l/min m³/h	100	200	400	600	800	1000	1200	1300	code	
	1~230V	3~230V	3~400V	1~	3~	[kW]	[HP]			6,0	12	24	36	48	60	72	78	1~230V	3~230V/400V
Nadorself 200	10,2	7	4,1	2,2	2,2	1,5	2	40	mmwc	12,9	12,2	10,6	8,5	6	-	-	-	203165	203167
Nadorself 300	13,4	8,6	5	3	3	2,2	3	60		14,6	14	12,8	11,3	9	6,5	-	-	203166	203168
Nadorself 400	-	11,8	6,8	-	3,4	3	4	-		17,2	16,6	15,3	13,8	11,6	9,4	6,3	4,5	-	203169

Performance curve at 2900 rpm



Dimension and weight

Model	A	B	C	D	E	F	G	H	I	Kg
Nadorself 200	416	335	615	130	249	419	70	2 ^{1/2} "	47	25,1/23,1
Nadorself 300	416	335	615	130	249	419	70	2 ^{1/2} "	47	26,1/25,8
Nadorself 400	416	335	615	130	249	419	70	2 ^{1/2} "	47	28

