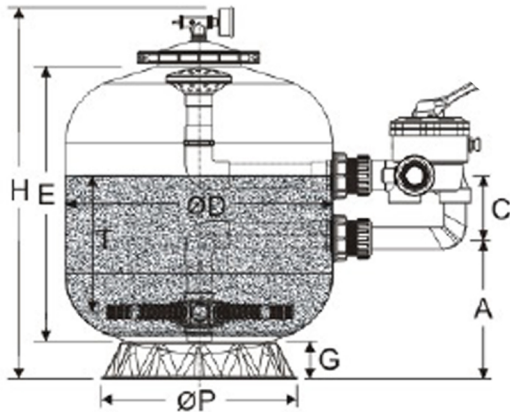


LAMINATED SAND FILTERS

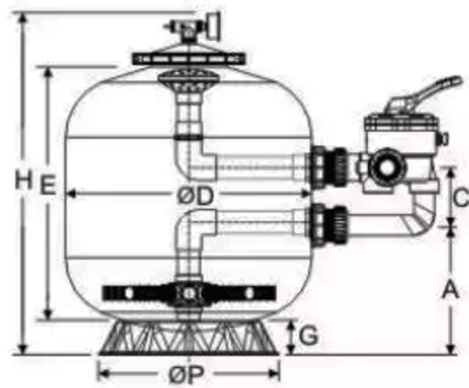
POOL FILTERS

- Made of fibreglass reinforce laminated polyester.
- Smooth and high brightness appearance.
- 6 way multiport valve.
- Sight glass for inspection of filtered water.
- Easy maintenance, easy cleaning.
- Maximum Working Pressure:36psi/2.5kg/cm2.
- Maximum temperature:50°C.



WL-ICG450~WL-ICG900

Model	WL-ICG450	WL-ICG500	WL-ICG650	WL-ICG700	WL-ICG800	WL-ICG900
ΦD(mm)	450	500	635	700	800	900
H(mm)	660	745	805	885	1020	1120
A(mm)	260	280	310	360	385	430
B(mm)	75	75	95	95	115	115
C(mm)	125	125	125	125	220	220
M(mm)	444	464	494	534	680	725
ΦP(mm)	390	390	565	565	790	790
T(mm)	250	280	300	350	420	480



Model	Pipe Size		Filter Area (m ²)	Design Flow		Sand Weight (kg)	Tank Diameter (mm)	Tank Height (mm)
	inches	mm		m ³ /h	lpm			
WL-ICG450	1.5	50	0.16	8.0	133	45	450	660
WL-ICG500	1.5	50	0.20	10.0	166	80	500	745
WL-ICG650	1.5	50	0.32	15.0	250	130	635	805
WL-ICG700	1.5	50	0.38	19.0	317	190	700	885
WL-ICG750	2.0	63	0.44	22.0	367	230	750	1000
WL-ICG800	2.0	63	0.50	25.0	417	260	800	1000
WL-ICG900	2.0	63	0.64	32.0	533	400	900	1115