



UNDERWATER LIGHTS



UNDERWATER LIGHTS

WL-BPB/BPC



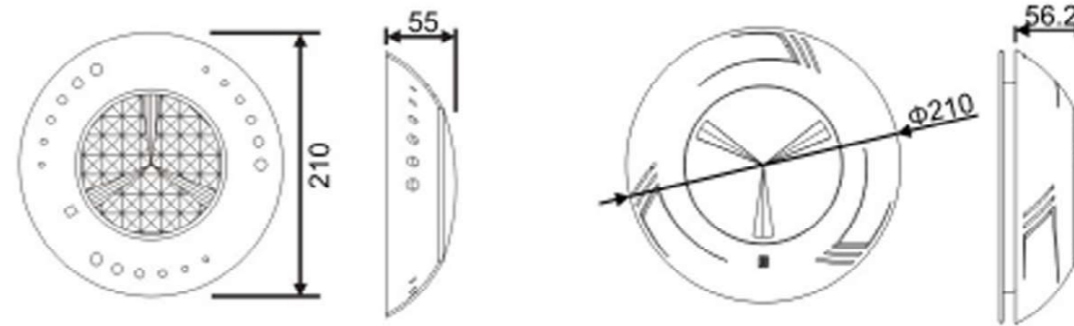
WL-BPB



WL-BPC

Main features:

- Material: anti-UV ABS.
- Safety low voltage: AC12V.
- Installation mode: wall-mounted type .
- Color: cool white, warm white, RGB and single blue.
- Color temperature: cool white 6000K, warm white: 3000K.



TECHNICAL DATA

Model	Power(W)	Voltage(V)	LED QTY	Light source	Color	Lumination (lux)	Installation type
WL-BPB-LED072BB	6W	12V	72	Standard DIP LED	White color	150	Wall mounted type
WL-BPB-LED072BC	6W	12V	72	Standard DIP LED	RGB	88	Wall mounted type
WL-BPC-LED006JTB	6W	12V	18	SMD LED	White color	485	Wall mounted type
WL-BPC-LED006JTC	6W	12V	18	SMD LED	RGB	85	Wall mounted type
WL-BPC-LED012JTB	12W	12V	36	SMD LED	White color	903	Wall mounted type
WL-BPC-LED012JTC	12W	12V	36	SMD LED	RGB	215	Wall mounted type