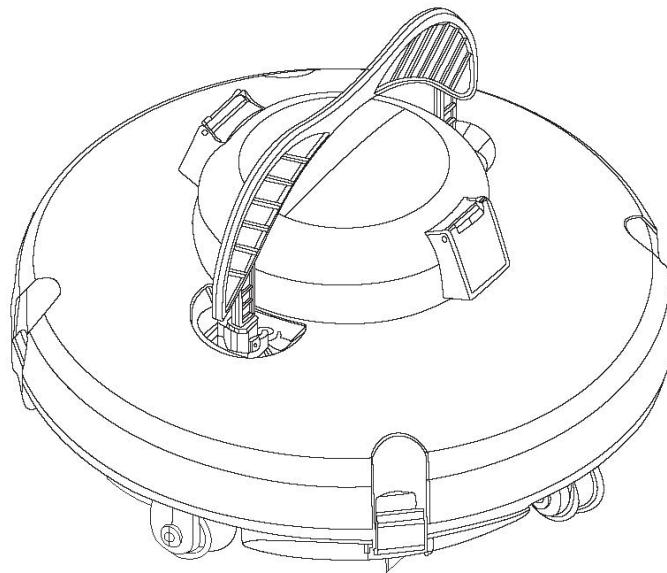


# User Manual

ROBOTIC POOL CLEANER

PZ0-18



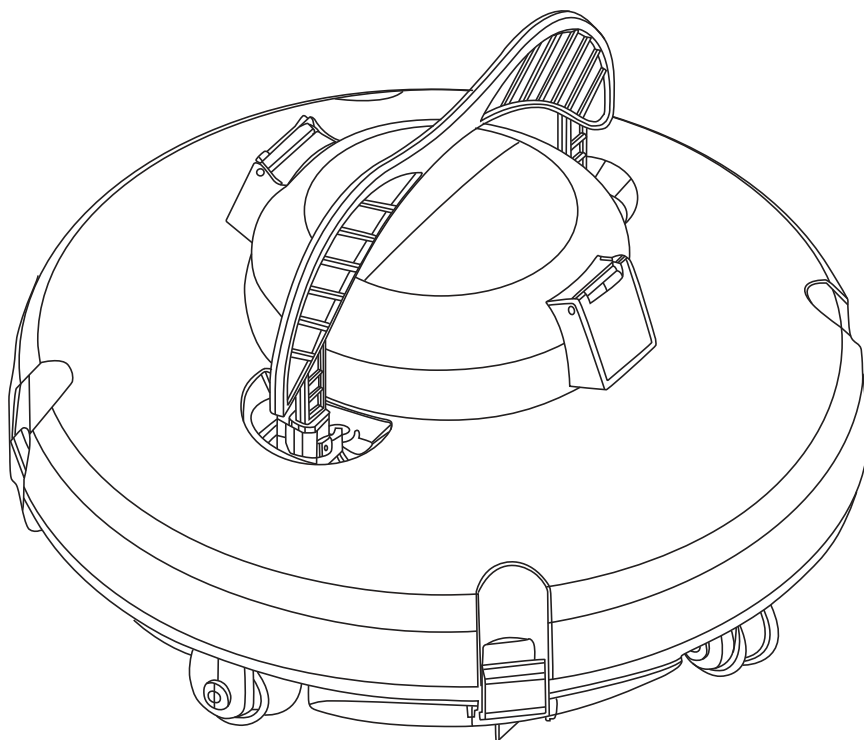
---

Thank you for choosing PZ0-18 Smart robotic pool cleaner.

You've joined millions of people to enjoy the convenience of robotic pool cleaning.

This user manual helps you to keep your robot performing at its best. Please take a few moments to read through it.

If you have any questions, please contact our customer service for help Customer Service Center Customer service Tel: + 86 13883060228 email: wanwuissue@163.com





## **Important notes**

- 1. Read the instructions carefully and use the cleaner according to the instructions. We are not responsible for any damage or damage caused by improper use.**
- 2. Use only accessories recommended or sold by the manufacturer.**
- 3. This model is only applicable to swimming pools with flat floors.**
- 4. Don't let the child ride on the cleaner or play with it as a toy.**
- 5. Use only original and authorized power adapters.**
- 6. The adapter cable can only be required / replaced by qualified electrical equipment.**
- 7. Do not open the cleaner when the cleaner is short of water.**
- 8. When charging, the charging adapter must be connected to the anti leakage and grounding socket.**
- 9. Do not operate the cleaner when there are people in the swimming pool. Always clean and clean the filter disc after use.**
- 10. Turn off the cleaner during maintenance, cleaning or when not in use**
- 11. The detergent should be stored in a cool and ventilated place to avoid direct sunlight.**
- 12. When charging, the cleaning machine should be kept in a cool place without covering anything to prevent damage to internal electrical components due to overheating.**
- 13. Because this product is designed by a professional designer, but the sealing device is installed by a professional instrument, it is not allowed to open it without permission. If it is opened without permission, the equipment may lose its sealing property and cause the risk of water ingress.**

---

**14. Do not operate the cleaner when the swimming pool filter is running.**

**15. The motor seal contains grease. If the grease leaks, it may cause water pollution.**

**16. Due to the limitation of battery capacity, the detergent is only suitable for sizes up to 1000 square feet (100m<sup>2</sup>) The swimming pool, otherwise it will be affected.**

**17. When the detergent is stored for a long time, it should be charged every three months to keep the battery life between 40% - 60%. Use only original and authorized power adapters. If the cleaner is not charged for a long time, the battery voltage will be lower than the over discharge**

**The protective voltage may cause fatal damage due to the self discharge of the battery.**

**19. Do not pierce the shell of the cleaner with nails or other sharp objects. Do not hammer, strike or throw detergent.**

**20. Before charging, please ensure that the charging socket is dry.**

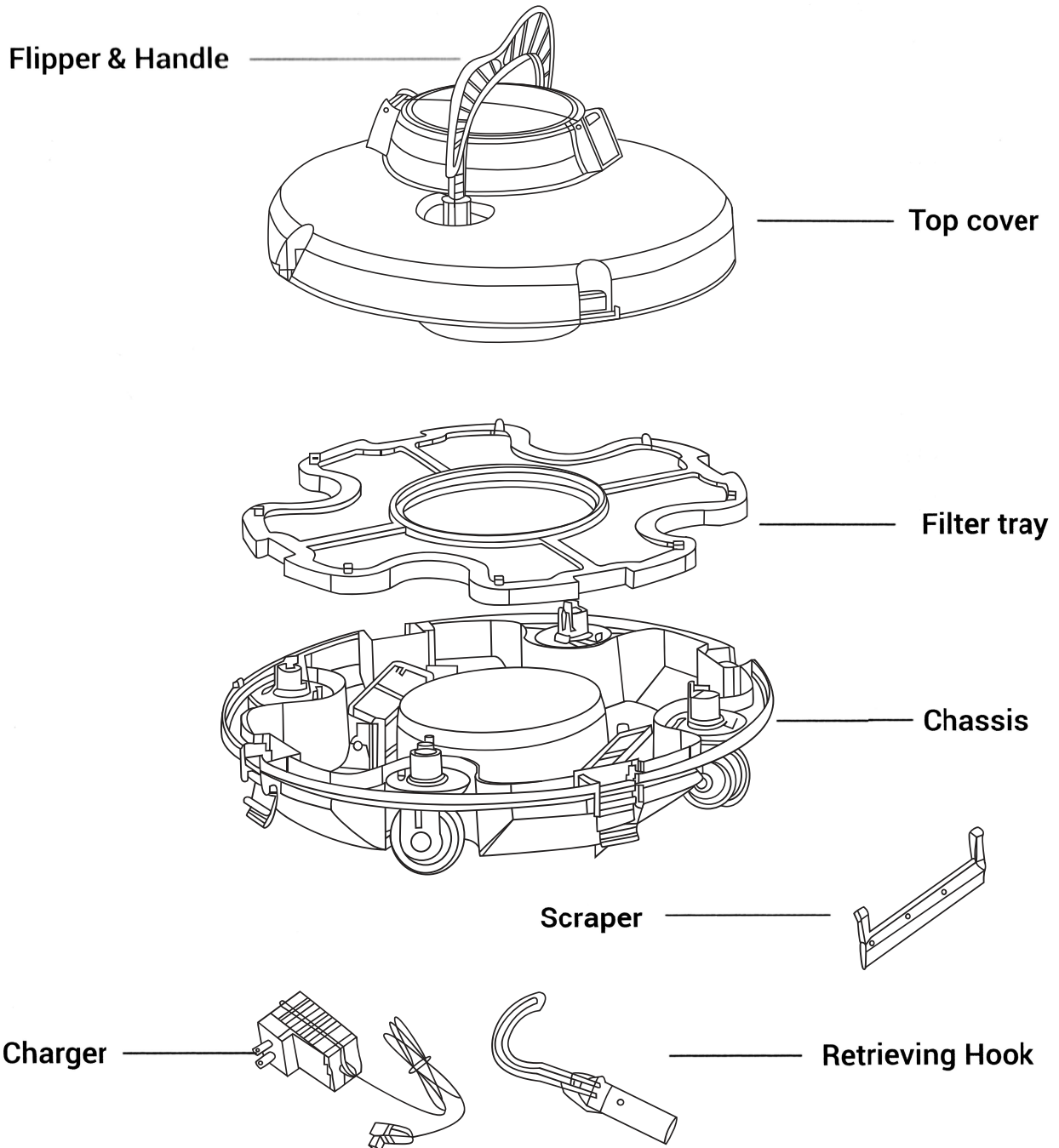
**21. This product is mainly used to help users clean leaves, particles, coarse sand and paper scraps. It has the best effect on granular garbage**

# 1.Introduce

Automatic robot, pool cleaner is a new type of rechargeable automatic cleaner, which can filter the water without replacing the pool water. One click start can make your swimming pool look new without extra operation. Make your life happier.

*Please read this user manual carefully before using.*

# 2.Structure



---

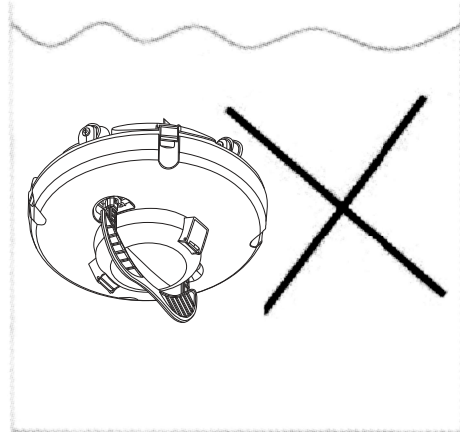
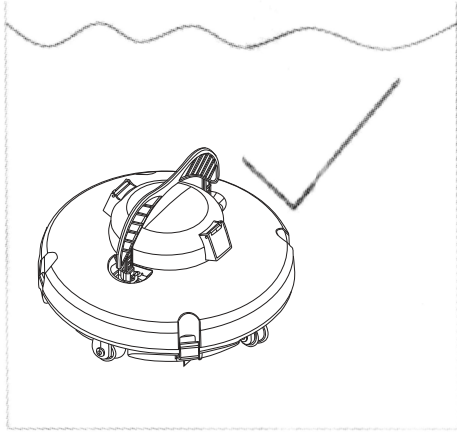
### **3. Specifications**

- 1. Model: PZ0-18**
- 2. Rated working voltage: 11.5V**
- 3. Power: 28W**
- 4. Working cycle: Around 120min**
- 5. Rated input voltage of charger. 100-240V**
- 6. Rated input frequency of charger. 50/60Hz**
- 7. Rated output voltage of adapter. 12.6V**
- 8. Rated output current of charger. 2A**
- 9. Battery capacity. 3200 mAh**
- 10. Charging time: 4-5h**
- 11. Max. cleaning surface: 100m<sup>2</sup>)**
- 12. Filter capability. appr. 45L/min**
- 13. Filter density: 178 μ m**
- 14. Moving speed: appr. 17m/min**
- 15. IP Grade: IPX8**
- 16. Pool water temperature: 8°C -37°C**
- 17. Charging environment temperature: 0°C-37 °C**
- 18. Max. water depth: 3m**
- 19. Size: 330 (L) \* 330 (W)\* 230 (H) mm**
- 20. Weight: 3.5kg**
- 21. Storage temperature: 0°C-37 °C**

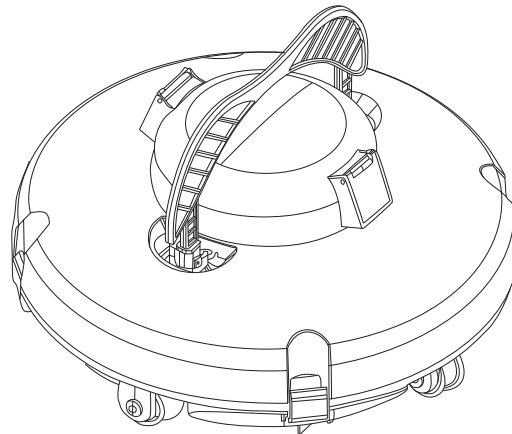
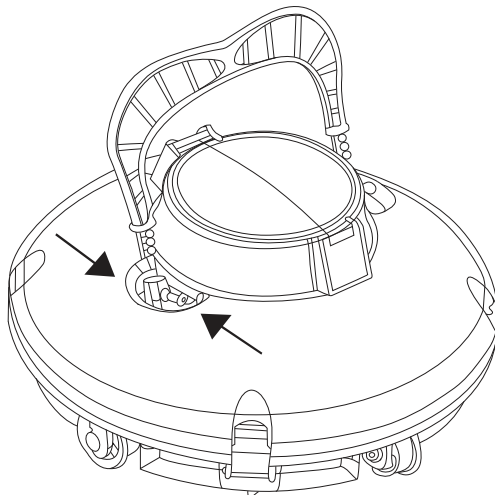
## 4. Operation instructions

### 4.1. Precautions

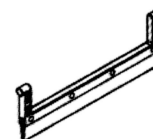
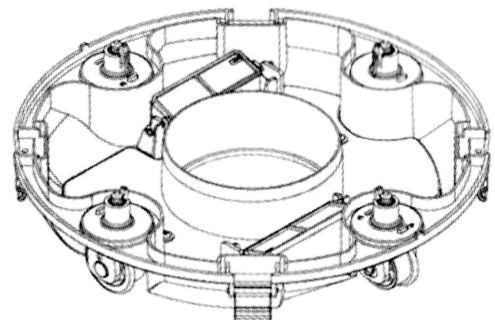
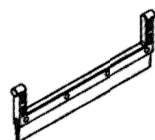
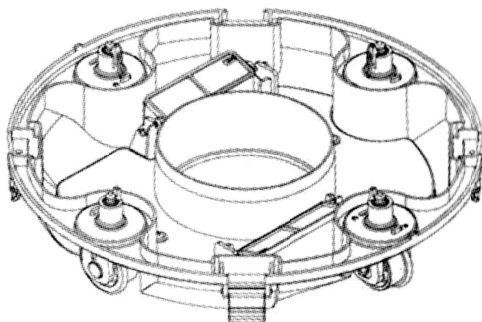
a. Put into or lift out of the pool with the cleaner bottom towards the wall to avoid any possible scratches to the pool.



b. Install the swing plate and floating handle before using.

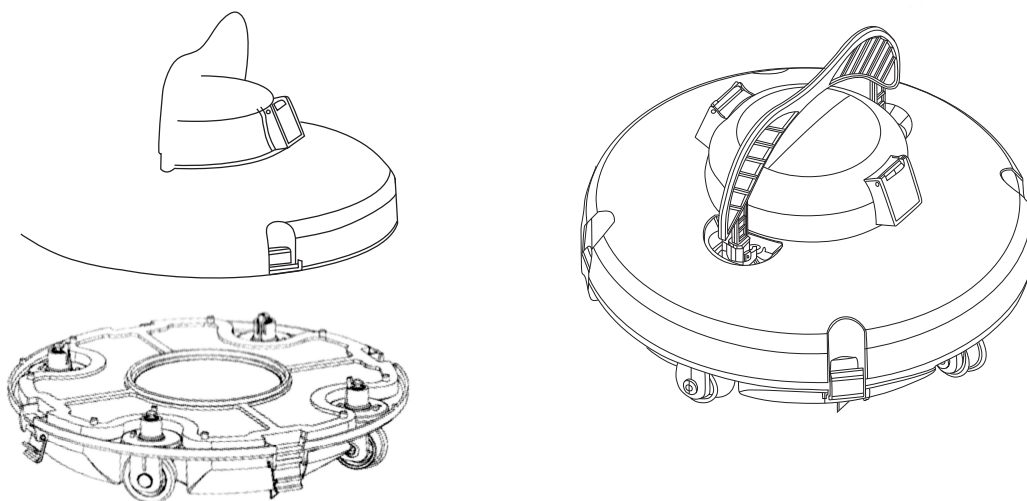


c. Install the scrapers to enhance suction effect.

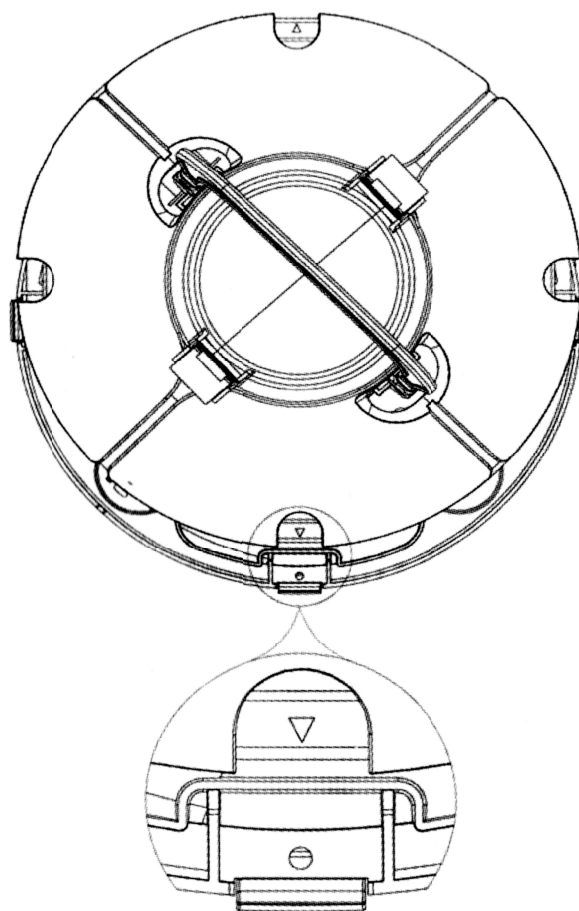


---

d. Please ensure that the top cover of the cleaner is tightly assembled to its chassis.

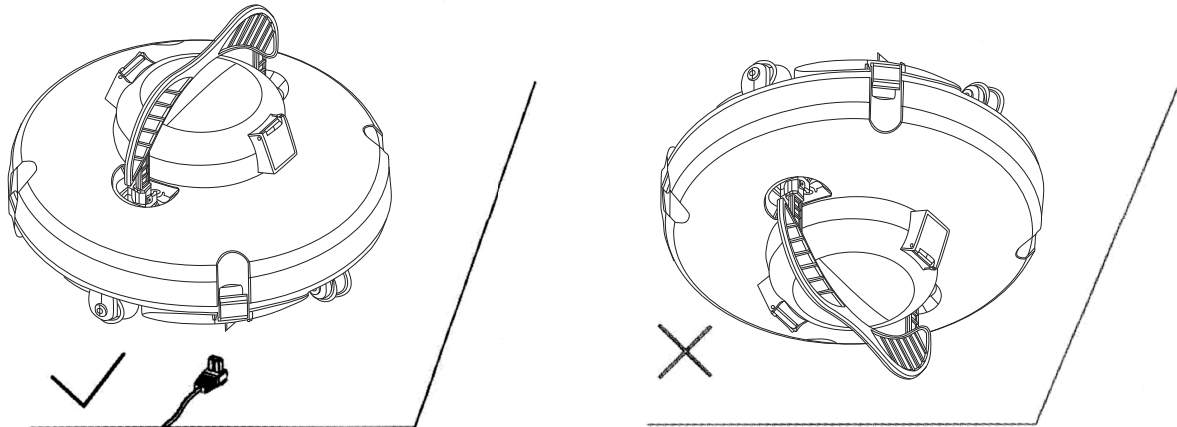


e. When fastening the top cover and chassis, please focus more on the installation direction as shown in the below figure: the arrow position near the cover buckle should be aligned with the hole position near the chassis buckle.





**f. When charging, it is strictly forbidden to face the bottom up to prevent the swing plate from being crushed.**



**g. Power off the cleaner after using.**

**h. Do not touch the wall to avoid scratching the wall or damaging the cleaner when putting into or lifting out of the pool.**

**i. Hold the cleaner on the water surface for 10-15 seconds until it empties before removing from the pool.**

**g. Grab the floating handle and pull at the rope for lifting it on the water surface, and then grasp its handle to remove it from the pool.**

#### **4.2 Quick operation**

**a. Charge the battery with the supplied charger.**

**\* Power off the cleaner before charging.**

**\* Clean the charging port before charging.**

**\* Red charging indicator indicates the battery is charging.**

**\* Green charging indicator indicates charging is finished.**

**b. Put the cleaner into the water and empty the inside air according to 4.1.a. Press the switch to power on the cleaner.**

**c. It will automatically reverse when it touches the wall.**

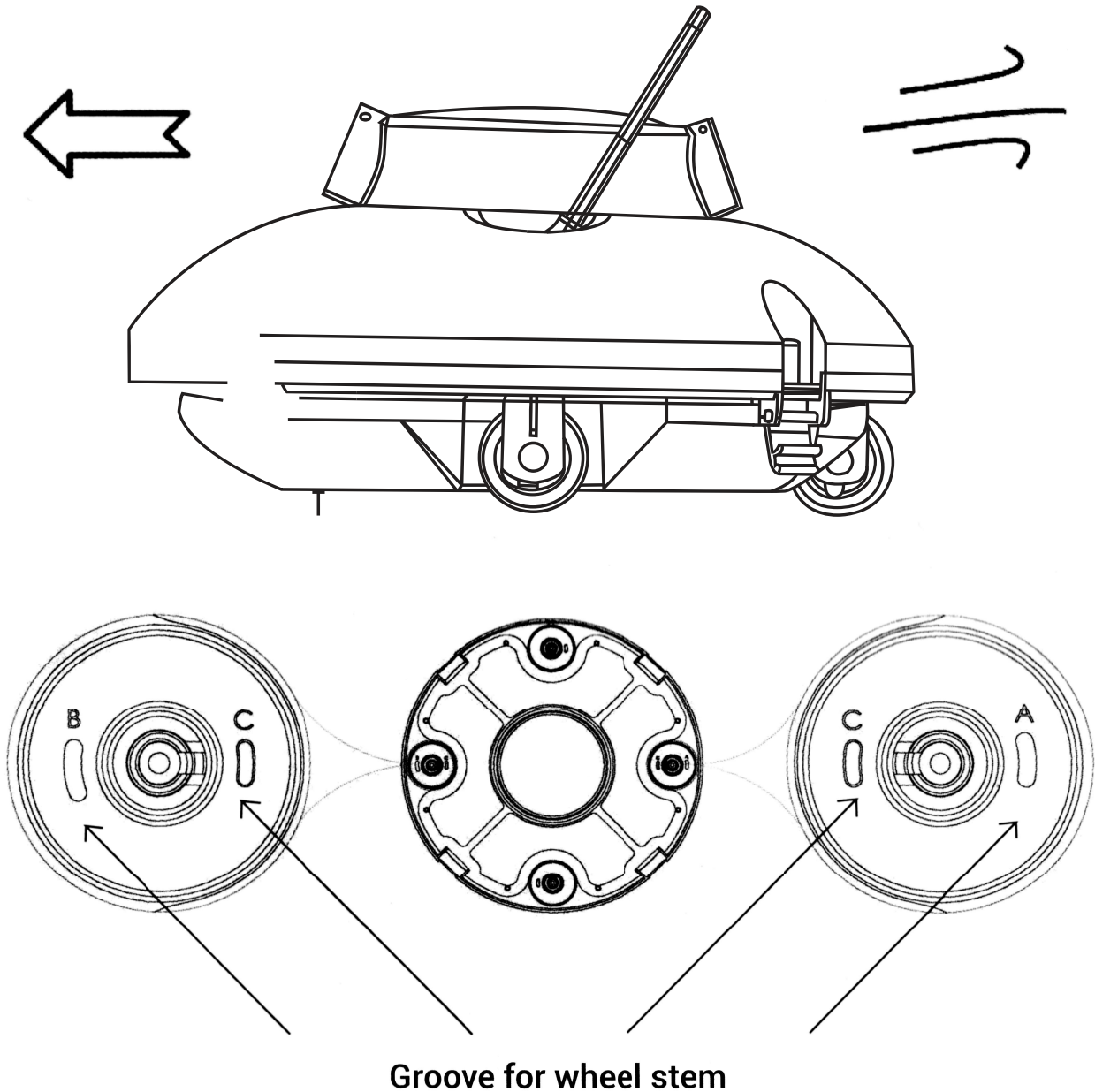
**d. The cleaner will stop running after completing the working cycle. The floating handle can be hooked by a pole, and the cleaner will be pulled to the water surface near the edge of the pool.**

**e. Power-off operation: the buzzer will be alarming when lifting out of the pool. Press the switch to OFF and the cleaner will be shut down. Always clean the filter tray after using.**

---

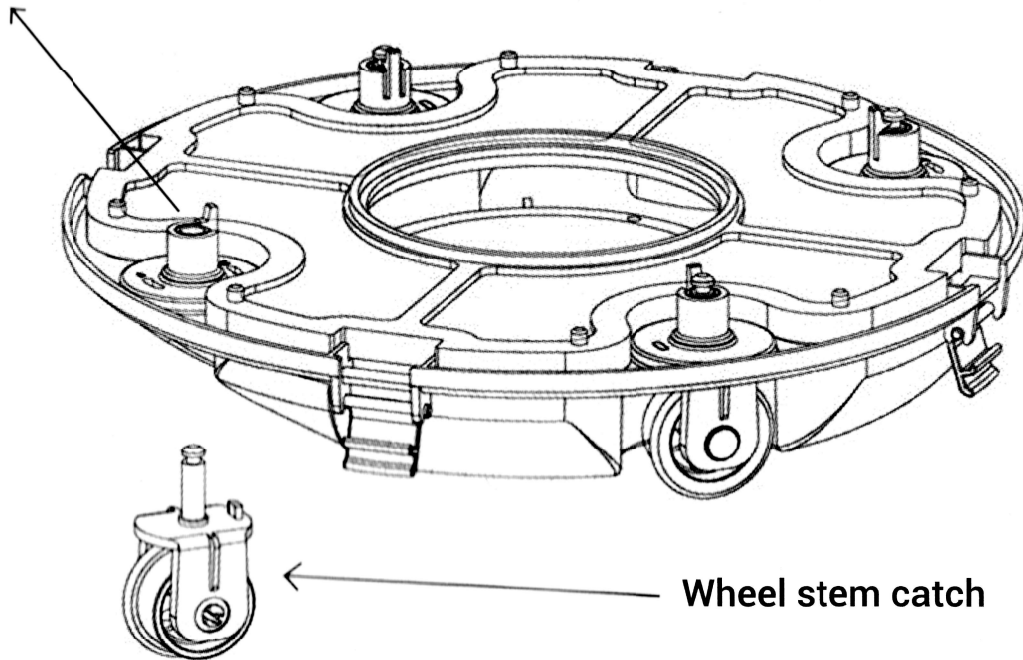
### 4.3 Functions and adjustments of wheels

There are 4 wheels on the cleaner, of which the left and right wheels are fixed. The front and back wheels can be selectively adjusted according to different conditions to adjust the running path of the cleaner.



A, B, C are printed on the groove of the wheel limit pile of the chassis. Wheel limit piles will be installed by default on C (left) and A (right).

Wheel stem catch



As shown in the figure, push the wheel buckle, pull down the wheel, and remove it. Then re-install the limit pile into chassis to realize the different running paths.

b. Four settings for wheels are recommended:

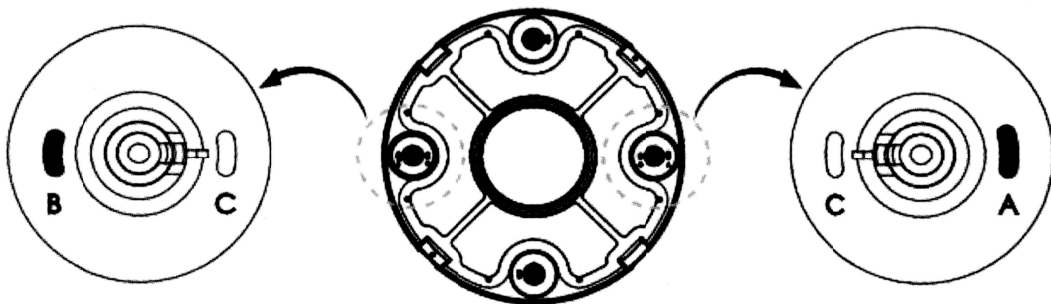
B – A Maximum maneuvering (Factory setting, ideal for round above-ground pool)

B – C Smaller rebounding angle than B – A

C – A Smaller rebounding angle than B – C

C – C Minimum maneuvering (For rectangular or longer pool)

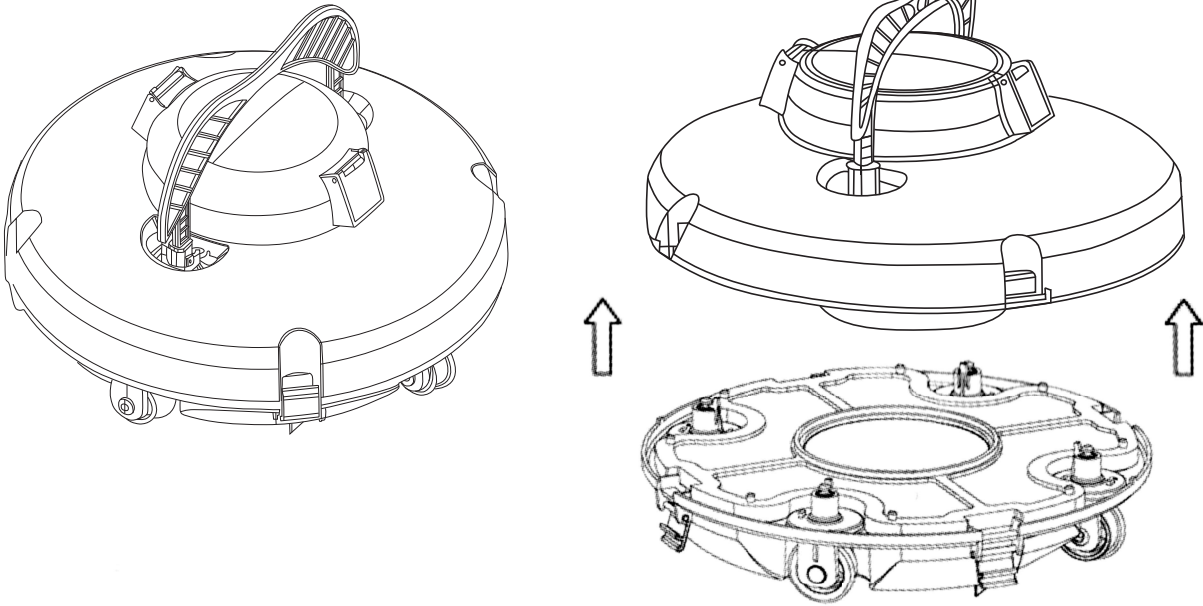
Combination B-A



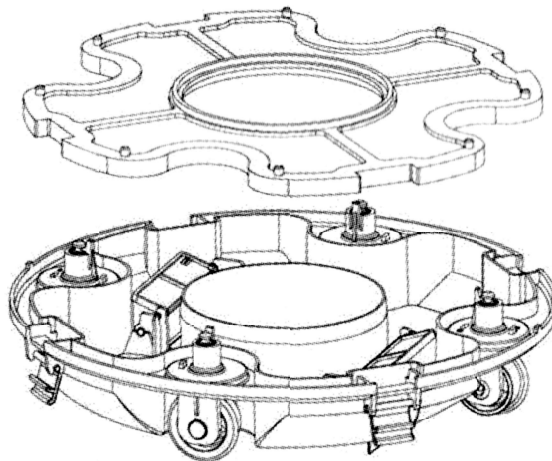
---

## 4.4 Filter cleaning

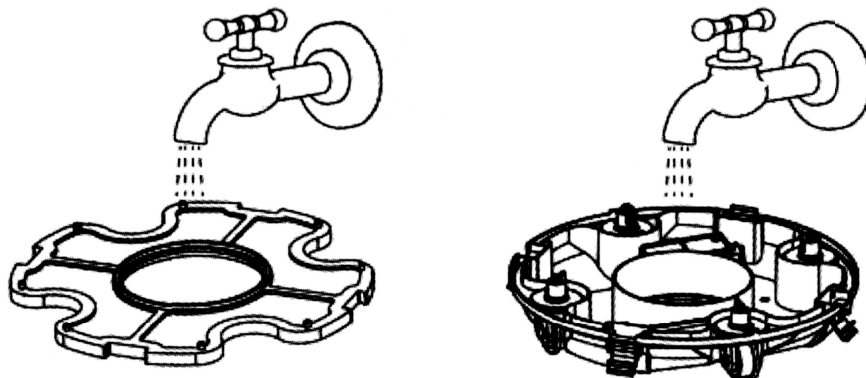
### a. Open the cleaner by the clips



### b. Take off the filter tray

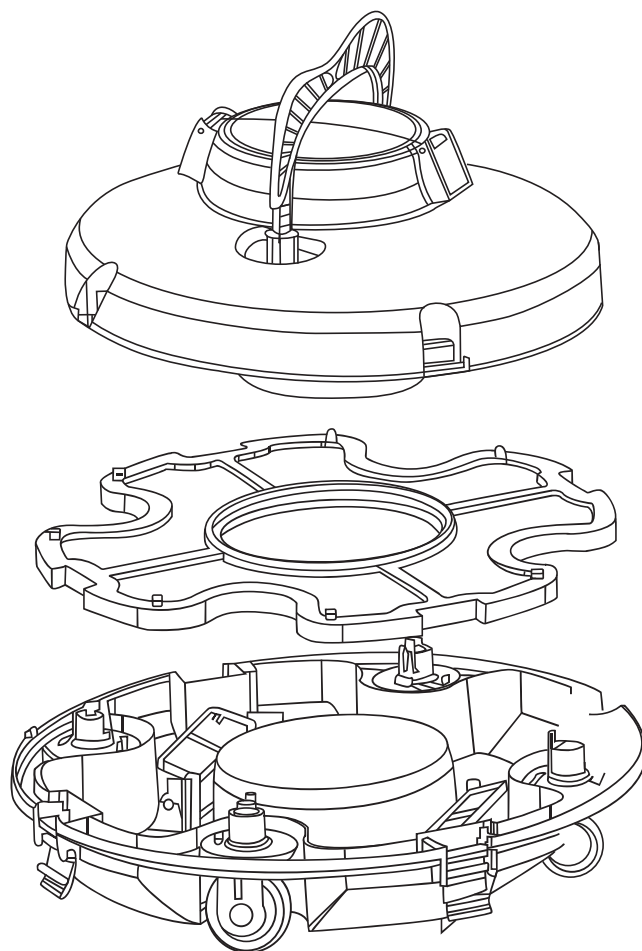


### c. Clean the filter tray and chassis

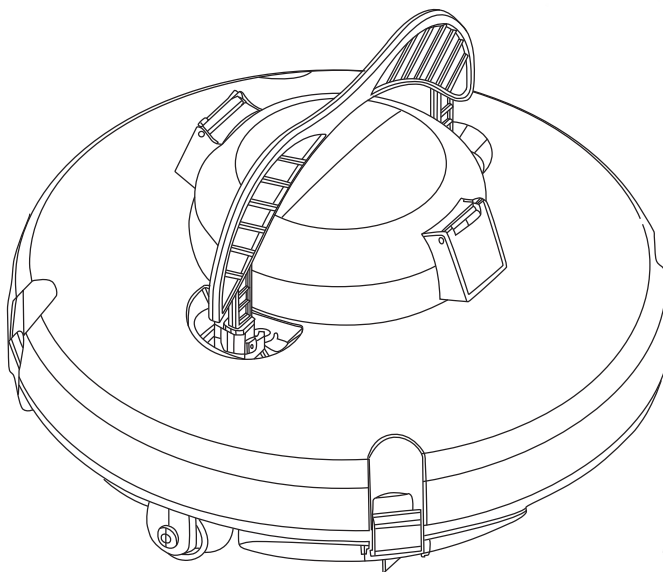


---

**d. Reassemble the cleaner**



**e. Clap on the clips**



## 5. Trouble shooting

Symptom	Possible reason	Solution
Buzzer silent or impeller not rotating after power on	Low battery	Recharge the battery
	Internal fault	Contact after-sales service
The buzzer still alarms or the impeller does not rotate after the cleaner is fully immersed in the water	Internal fault	Contact after-sales service
The swing plate cannot stand when the cleaner touching the wall	The swing plate is stuck	Remove the cleaner from the pool and try to manually rotate the swing plate or contact the after-sales service.
The swing plate can stand when the cleaner touching the wall, but the cleaner cannot reverse	The water channel is stuck	Try to manually overcome stuck condition
Charger indicator does not work	The charger is damaged	Contact after-sales service
The cleaner does not have a full coverage for the floor	Improper wheel angel	Adjust wheel position (see 4.3 Functions and adjustments of wheels)
	Special pool shape	Adjust wheel position (see 4.3 Functions and adjustments of wheels)
	Swimming pool water circulation system is on	Shut down the system

## 6. Buzzer notes

Status	Status
Power on	Buzz before not fully immersed in the water; Stop buzzing after fully immersed in the water.
Power off	Stopping buzzing

## 7. Packing list

Item	Name	Model	QTY (pc)	Application	Remark
1	Cleaner	PZ0-18	1		In carton
2	Charger		1		In carton
3	Flipper & handle		1		In carton
4	Retrieving hook		1		In carton
5	Screws		2		In plastic bag
6	User manual		1		In plastic bag

## **8. Warranty**

This product has passed all quality control and safety tests, conducted by the technical department of the factory.

Warranty information:

1. The warranty is covered for 12 months (only for battery and motor) from the date of its original purchase.
2. This warranty is voided if the product has been altered, misused, or has been repaired by unauthorized personnel.
3. The warranty extends only to manufacturing defects and does not cover any damage resulting from mishandling of the product by the owner.
4. The sales invoice must be presented for any claim or repair during the warranty period.

