

Pump Control Box

FLEXIBLE CONTROL AND SAFETY PROTECTION

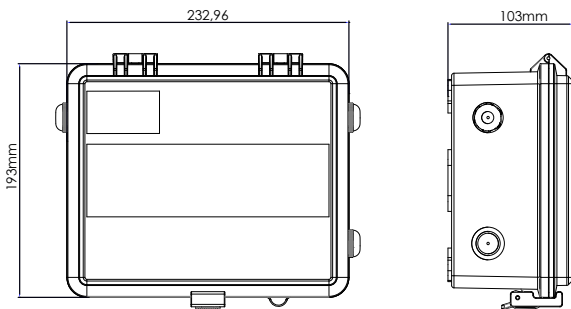
Manual and timer modes



AN EASY TO USE, FULLY FEATURED CONTROLLER

Product Features:

1. Maximum load of 2.2kW with power indicator
2. Made from durable ABS material
3. Suitable for pool & spa pumps
4. Electrical overload & leakage protection
5. Manual mode and timer modes for controlling the operation time
6. Weatherproof: IP65 rating suitable for outdoor use



Simplify control on one panel

Product Information:

Code	Model	Description
88330101	KZD2200	Pump Control Box 2.2kW / 220V - 50Hz / 60Hz - AC
88330201	KZD2200	Pump Control Box 2.2kW / 110V - 50Hz / 60Hz - AC



EMAUX WATER TECHNOLOGY CO., LTD

ADDRESS: Flat A-D, 20/F., Kai Bo 22, 22 Wing Kin Road,
Kwai Chung, Hong Kong

PHONE +852 2832 9880

www.emauxgroup.com

Pool & Spa Equipment

YOUR PREMIER SUPPLIER

Available from:

ALL SPECIFICATIONS ARE SUBJECT TO CHANGE WITHOUT NOTICE
© 2021 EMAUX WATER TECHNOLOGY CO., LTD. ALL RIGHTS RESERVED.