



**QUALITY SAND FILTERS FOR RESIDENTIAL AND  
COMMERCIAL SWIMMING POOLS, SPAS & INDUSTRY**



# QUALITY SAND FILTERS

## SUITABLE FOR ALL FILTRATION APPLICATIONS

Including:-

- Swimming pools – from domestic to Olympic size
- Spas
- Waste water treatment
- Aqua culture
- Irrigation systems
- Drinking water processing
- Water supply treatment
- Industrial water treatment



## QUALITY PRODUCTS FROM THE SWIMMING POOL SPECIALIST

The extensive range of Sandia filters are essential for all types of Swimming pools from residential through to Olympic size applications.

The Sandia sand filter is not only suited to the Water Leisure Industry, but can also be utilised for numerous filtering applications such as fish farming, industrial water treatment plant and drinking water processing systems.

The main tank structure is made from extremely hard wearing glass reinforced polyester, and the smooth high gloss internal and external finish ensures free flow and easy cleaning.

With extensive warehousing, along with full sales & marketing offices based in Thailand, the Sandia filter becomes not only extremely competitive, but also ensures fast delivery and low freight costs.

Manufactured to meet with the highest World Standards, Sandia sand filters are the only choice for your filtration needs.

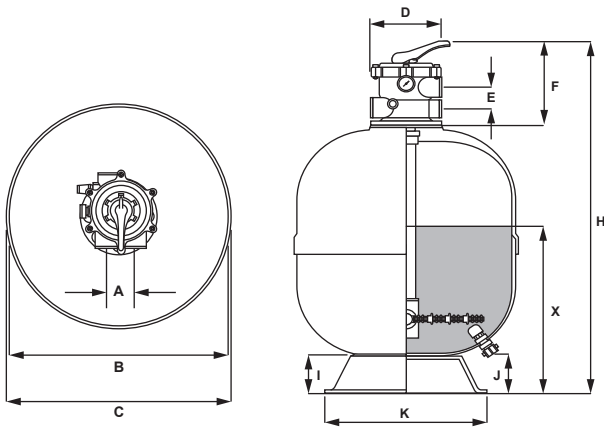


# SSR-T Series

## Laminated Commercial Hi-Rate Sand Filters Complete Set With Multiport Valves

### Options

- 6-way multi-port valve
- valve connection pipework
- pressure gauge
- union adaptors



## Technical Information

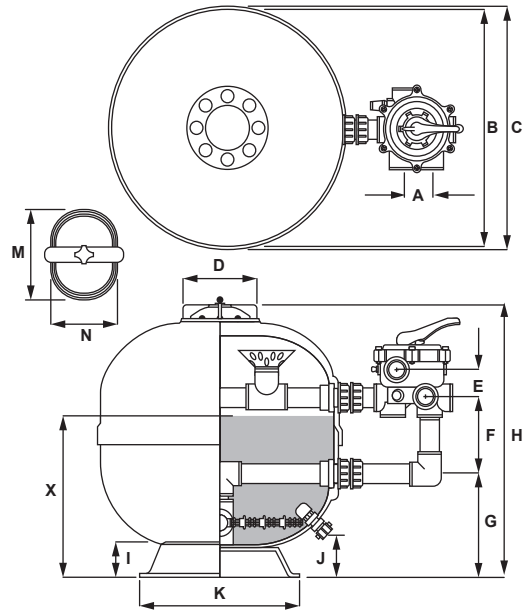
Code	Model	Multi-port Valve (inches)	Flowrate (gpm)	Flowrate (m <sup>3</sup> /h)	Sand (50kgs/bag)	Zelbrite (15kgs/bag)	EcoClear (25kgs/bag)	
							Coare	Fine
20311900040	SSR24-T	1.5	55.00	12.50	3	8	1	3
20311900060	SSR28-T	2	83.60	19.00	4	10	2	4
20311900070	SSR30-T	2	90.20	20.50	5	13	2	6
20311900080	SSC32-T	2	106.04	24.10	5	13	2	6
20311900090	SSC36-T	2	127.60	29.00	8	20	4	9
20311900100	SSC42-T	2	178.20	40.50	11	28	5	12

## Product Dimensions (meter)

Type	SSR24-T	SSR28-T	SSR30-T	SSC32-T	SSC36-T	SSC42-T
A	0.07	0.07	0.07	0.07	0.07	0.07
B	0.59	0.69	0.74	0.79	0.89	1.05
C	0.61	0.71	0.76	0.81	0.91	1.07
D	0.19	0.27	0.27	0.27	0.27	0.27
E	0.06	0.08	0.08	0.08	0.08	0.08
F	0.33	0.35	0.35	0.35	0.35	0.35
H	1.00	1.03	1.05	1.05	1.10	1.30
I	0.06	0.07	0.08	0.08	0.09	0.09
J	0.07	0.07	0.09	0.09	0.09	0.09
K	0.49	0.52	0.56	0.81	0.94	0.96
X	0.38	0.40	0.40	0.45	0.50	0.55

# SSR-S Series

Laminated Commercial Hi-Rate Sand Filters  
Complete Set With Multiport Valves



## Technical Information

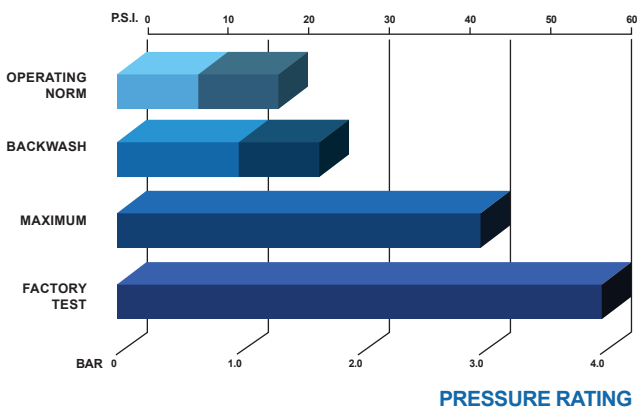
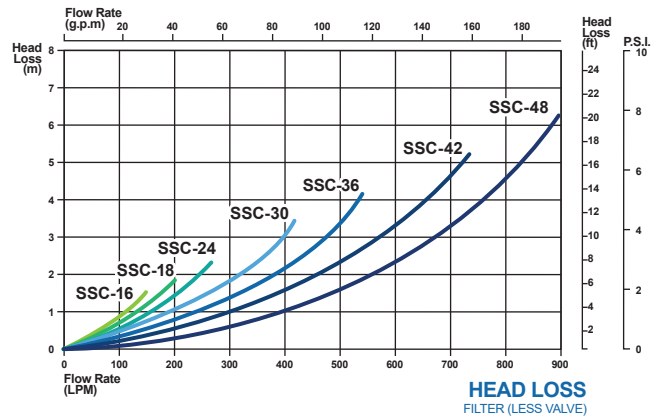
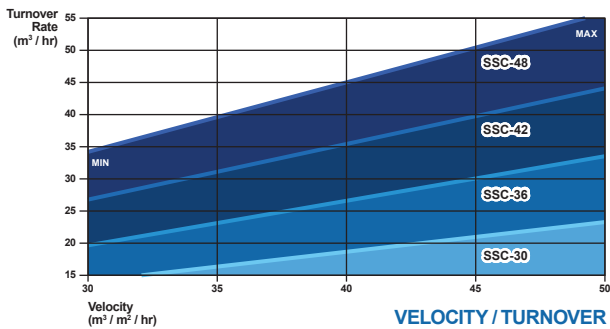
Code	Model	Multi-port Valve (inches)	Flowrate (gpm)	Flowrate (m <sup>3</sup> /h)	Sand (50kgs/bag)	Zelbrite (15kgs/bag)	EcoClear (25kgs/bag)	
							Coare	Fine
20311900005	SSR16-S	1.5	23.10	5.25	1	4	0.5	1
20311900010	SSR18-S	1.5	33.00	7.50	2	5	1	2
20311900020	SSR21-S	1.5	48.40	11.00	2	5	1	2
20311900035	SSR24-S	1.5	55.00	12.50	3	8	1	3
20311900125	SSR28-S	2	83.60	19.00	4	10	2	4
20311900065	SSR30-S	2	90.20	20.50	5	13	2	6
20311900075	SSC32-S	2	106.04	24.10	5	13	2	6
20311900085	SSC36-S	2	127.60	29.00	8	20	4	9
20311900105	SSC42-S	2.5	178.20	40.50	11	28	5	12
20311900115	SSC48-S	3	233.20	53.00	17	43	8	18

## Product Dimensions (meter)

Type	SSR16-T	SSR18-T	SSR21-T	SSR24-T	SSR28-T	SSR30-T	SSC32-T	SSC36-T	SSC42-T	SSC48-T
A	0.07	0.07	0.07	0.07	0.07	0.07	0.07	0.07	0.12	0.12
B	0.39	0.44	0.51	0.59	0.69	0.74	0.79	0.89	1.05	1.20
C	0.41	0.46	0.53	0.61	0.71	0.76	0.81	0.91	1.07	1.22
D	*M-N	*M-N	0.23	0.23	0.23	0.23	0.23	0.23	0.23	0.23
E	0.06	0.06	0.06	0.06	0.08	0.08	0.08	0.08	0.11	0.11
F	0.12	0.20	0.20	0.20	0.21	0.21	0.21	0.30	0.35	0.55
G	0.24	0.24	0.25	0.25	0.32	0.31	0.30	0.30	0.35	0.36
H	0.85	0.85	0.76	0.76	0.83	0.85	0.94	1.00	1.30	1.45
I	0.06	0.06	0.06	0.06	0.07	0.08	0.08	0.09	0.09	1.00
J	0.07	0.07	0.07	0.07	0.09	0.09	0.09	0.09	0.09	0.09
K	0.36	0.36	0.49	0.49	0.56	0.56	0.61	0.71	0.87	1.02
M	*0.43	*0.43	-	-	-	-	-	-	-	-
N	*0.33	*0.33	-	-	-	-	-	-	-	-
X	0.30	0.35	0.37	0.38	0.39	0.40	0.45	0.50	0.55	0.70

# Technical Information

- **RESIDENTIAL**  
Hi-Rate Sand Filters
- **LIGHT-MEDIUM COMMERCIAL**  
Standard Media Depth Sand Filters
- **HEAVY COMMERCIAL**  
Medium Media Depth Sand Filters
- **DEEP BED COMMERCIAL**  
Maximum Media Depth Sand Filters
- **INDUSTRIAL**  
High Pressure Standard Media Depth Filters



### Tank Material

Gelcoat Fiberglass

### Max Operating Pressure

36 psi / 2.5 bar

### Max Temperature

43°C (109°F)

### Suggested Size of Media

0.5 - 0.8 mm

# DBK Series

## Deep Bed Laminated Hi-Rate Sand Filters Complete Set With Multiport Valves

All DBK Superflow filters can operate with either silica sand or sand gravel mix. They are suitable for use in commercial applications such as spa pools, high bathing load swimming pools, fish farming, industrial water treatment, drinking water systems, etc.

The depth of media (1.2 m) ensures that even the finest dirt particles are retained.

The media sight glass (optional extra) is made of high quality toughened safety glass which will resist damage by erosion.

The top oval lid allows easy access to the internals whilst the large side access manhole enables easy media removal, inspection and access to the filter.

The plate and nozzle system allows a uniform undisturbed flow through the media bed for filtering. The plate system also allows the use of airpurging as part of the backwash procedure, thus reducing the water required for backwashing.

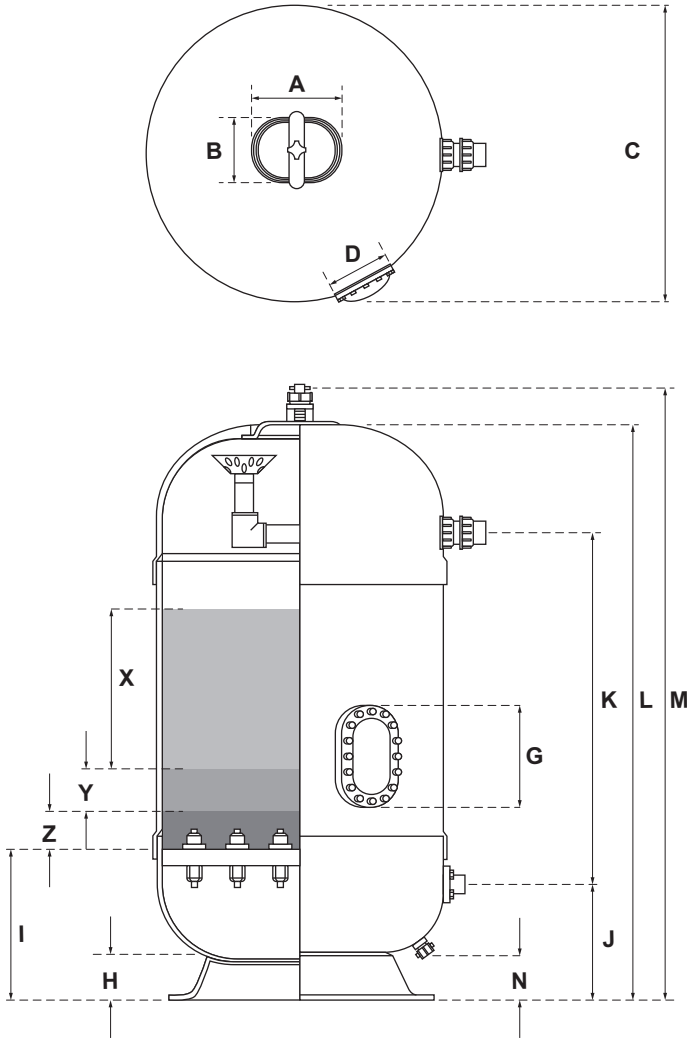
### Options

- small sight glass 90 x 175 (max two per tank)
- large sight glass 120 x 110 (max two per tank)
- 6-way multi-port valve
- permanent drain facility
- pressure gauge
- variable height – special order



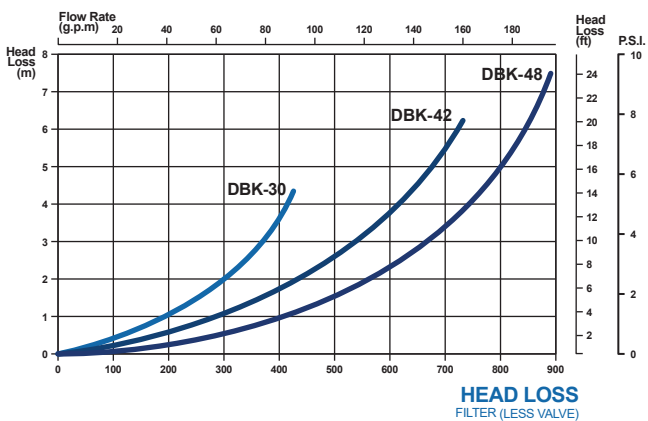
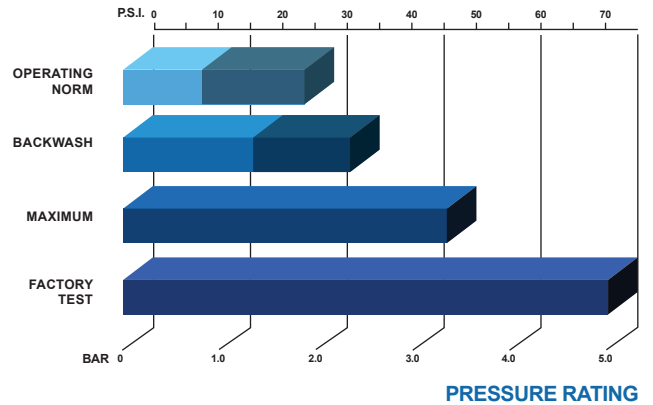
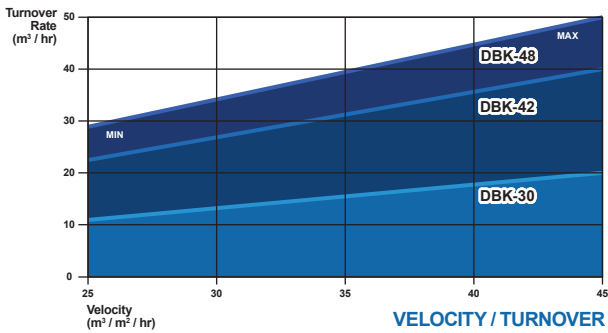
## Technical Information

Code	Model	Multi-port Valve (inches)	Flowrate (gpm)	Flowrate (m <sup>3</sup> /h)	Sand (50kgs/bag)	Zelbrite (15kgs/bag)	EcoClear (25kgs/bag)	
							Coare	Fine
20301900005	DBK 30	2	73	20	19	47	9	20
20301900020	DBK 42	3	160	43	42	105	21	42
20301900030	DBK 48	3	186	50	46	115	23	46



## Product Dimensions (meter)

Type	DBK-30	DBK-42	DBK-48
A	0.27	0.27	0.43
B	0.23	0.23	0.33
C	0.78	1.14	1.24
D	0.32	0.46	0.46
G	0.30	0.54	0.54
H	0.10	0.11	0.12
I	0.40	0.42	0.45
J	0.28	0.31	0.35
K	1.65	1.70	1.75
L	2.22	2.36	2.48
M	2.30	2.42	2.42
N	0.10	0.11	0.12
X	0.80	0.80	0.80
Y	0.20	0.20	0.20
Z	0.20	0.20	0.20



### Tank Material

Gelcoat Fiberglass

### Max Operating Pressure

36 psi / 2.5 bar

### Max Temperature

43°C (109°F)

### Suggested Size of Media

0.5 - 0.8 mm

# HZC Series

## Horizontal Laminated Hi-Rate Sand Filters Without Multiport Valves

The HZC filter range is specially designed for installations that require a high filtration surface area. Typical applications include school pools, leisure parks and other water treatment applications.

The main tank treatment is made from extremely hard wearing glass reinforced polyester. The smooth high gloss internal and external finish ensures free flow and easy cleaning.

By design the HZC range is ideal for replacing older or obsolete equipment where access is restrictive. For new installations the HZC can be fitted with total economy of floor space and head room.

HZC filters can be installed individually or in series, both resulting in a more compact plant room in comparison with conventional (vertical) filter tanks.

The large top access man hole can be sited at an angle (as a special order) for ease of servicing the media or internals.

The filter length can also be increased to gain a greater surface area.

### Options

- pressure gauge
- off set position of lid / manhole for easy access
- increased length

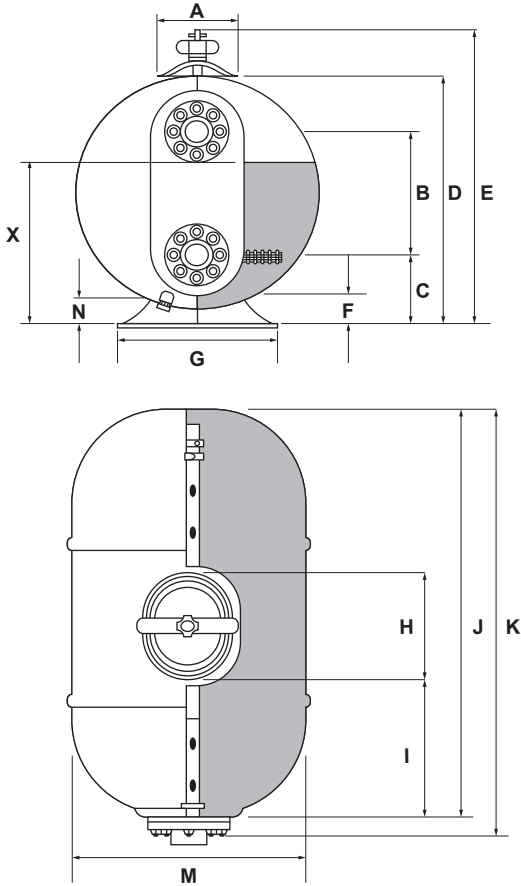


## Technical Information

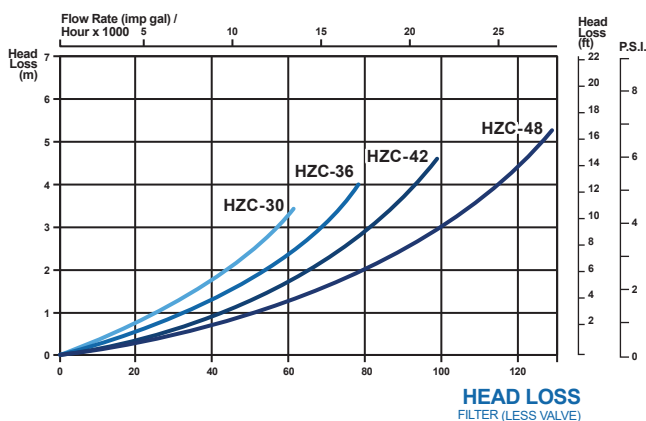
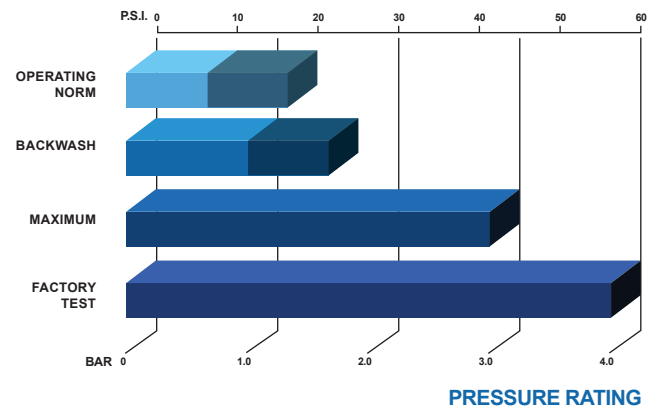
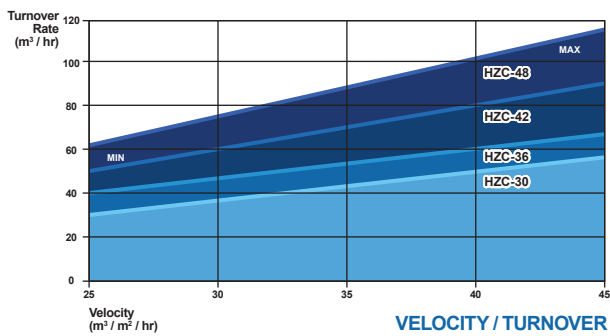
Code	Model	Inlet & Outlet (inches)	Flowrate (gpm)	Flowrate (m <sup>3</sup> /h)	Sand (50kgs/bag)	Zelbrite (15kgs/bag)	EcoClear (25kgs/bag)	
							Coare	Fine
20301900010	HZC-30	4	205	56	15	38	7	16
20301900015	HZC-36	4	246	67	19	48	9	20
20301900025	HZC-42	4	330	90	24	60	12	24
20301900035	HZC-48	5	414	113	32	80	16	32



## Product Dimensions (meter)



Type	HZC-30	HZC-36	HZC-42	HZC-48
A	0.30	0.33	0.33	0.33
B	0.39	0.56	0.70	0.85
C	0.28	0.29	0.32	0.38
D	1.05	1.15	1.26	1.38
E	1.12	1.23	1.34	1.45
F	0.12	0.15	0.19	0.22
G	0.57	0.72	0.81	0.90
H	0.30	0.43	0.43	0.43
I	0.75	0.77	0.80	1.01
J	1.95	1.96	1.98	2.38
K	1.95	1.95	2.15	2.15
M	0.79	0.97	1.14	1.35
N	0.17	0.18	0.19	0.21
X	0.46	0.57	0.66	0.71



### Tank Material

Gelcoat Fiberglass

### Max Operating Pressure

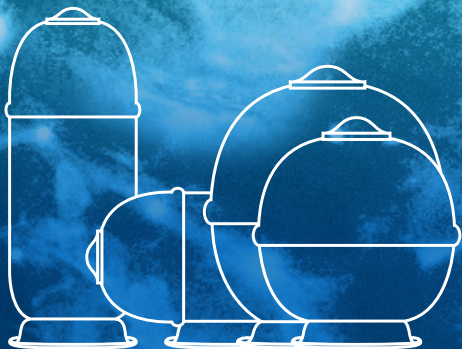
36 psi / 2.5 bar

### Max Temperature

43°C (109°F)

### Suggested Size of Media

0.5 - 0.8 mm



**HEAD OFFICE**

40/2 Moo.14 KingKaew Rd, Rachatheva,  
Bangplee, Samutprakarn, 10540 Thailand  
Tel: 0-2738-5088-98 Fax: 0-2738-5299  
Email: sales@poolspa.co.th  
www.poolspa.co.th