

# SUPER SERIES SAND FILTER

## POOL FILTERS

Made of high density polyethylene material and integration of blow molding technology. HDPE filter tank is compatible for many different weather condition. Unique structural design gets the best clarity of filtered water and a better backwash.

POOL FILTERS



SDG-17~SDG-26



SCG-20~SCG-26

**Advantages:**

- More efficient: 30% more of filtration bed improves the filtration quality easily
- Environmental, safe & corrosive-proof material: suitable to all types of swimming pools
- Easy maintenance: no tools is required for maintenance or operation

**Features:**

- Suitable for pools with different disinfection system such as salt chlorine generator, UV sterilizer, Ozone system and chemical dosing.
- can be used for Pool, Spa and Water features,
- Easy to maintain and replace

- Pool in need of better water clarity
- Professional approach of getting better water

1 Inlet/outlet can meet with metric/imperial pipe, more convenient to operate.

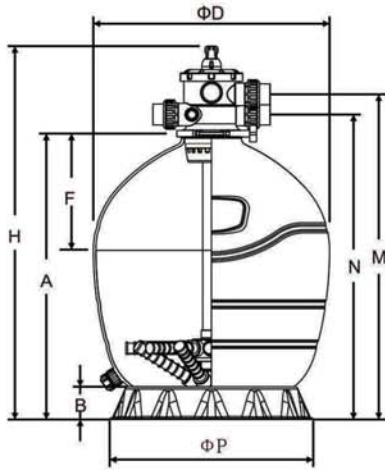
2 One-piece plastic clamp allows 360 rotation of valve to simplify installation.

3 More volume of filtration bed gets better clarity of filtered water & less backwash.

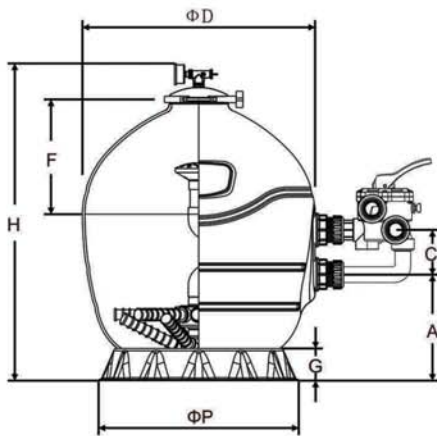
4 High density poly ethylene filter tank material manufactured to maximize the strength of the filter

5 Unique double-layered lateral enhances filtration efficiency and allows complete backwash.





	SDG-17	SDG-20	SDG-24	SDG-26
ΦD(mm)	425	500	600	650
H(mm)	767	890	983	1028
B(mm)	75	75	75	90
A(mm)	526	650	743	787
ΦP(mm)	390	390	390	560
N(mm)	579	702	795	839
M(mm)	635	758	850	895
F(mm)	195	236	285	319



	SCG-20	SCG-24	SCG-26
ΦD(mm)	500	600	650
H(mm)	736	830	887
A(mm)	241	310	296
ΦP(mm)	390	390	560
C(mm)	125	125	125
G(mm)	75	75	90
F(mm)	236	285	319

**Product parameters**

Model	Pipe Size		Filter Area (m <sup>2</sup> )	Design Flow		0.5-0.8mm Sand Weight (kg)	Tank Volume (m <sup>3</sup> )	Valve Volume (m <sup>3</sup> )	Tank Weight (kg)	Valve Weight (kg)
	inches	mm		m <sup>3</sup> /h	lpm					
SDG-17	1.5	50	0.14	7.0	117	50	0.11	0.02	9.8	3
SDG-20	1.5	50	0.19	9.5	158	90	0.16	0.02	12.3	3
SDG-24	1.5	50	0.27	13.5	225	140	0.26	0.02	15.2	3
SDG-26	1.5	50	0.32	16.0	267	170	0.34	0.02	18	3

Note: The model SDG-17 is with one layer lateral.

Model	Pipe Size		Filter Area (m <sup>2</sup> )	Design Flow		0.5-0.8mm Sand Weight (kg)	Tank Volume (m <sup>3</sup> )	Valve Volume (m <sup>3</sup> )	Tank Weight (kg)	Valve Weight (kg)
	inches	mm		m <sup>3</sup> /h	lpm					
SCG-20	1.5	50	0.19	9.5	158	90	0.16	0.02	13.3	3
SCG-24	1.5	50	0.27	13.5	225	140	0.26	0.02	16.2	3
SCG-26	1.5	50	0.32	16.0	267	170	0.34	0.02	19	3

MAXIMUM WORKING PRESSURE:40psi/2.8kg/cm<sup>2</sup>

MAXIMUM TEMPERATURE:50 °C

