

Cartridge Filter System **FSCO SERIES**

EASY TO SETUP AND OPERATE

For residential pool & spa

Max Operating Pressure

36psi(2.5bar)

Max Temperature

40°C (109°F)

Cartridge Size

25ft²-200ft²



SAA



Lorem ipsum

Product Features

1. UV resistant cartridge filter tank
2. Heavy duty ring-lock lid for easy-opening, cleaning and replacing cartridge element
3. Oil filled pressure gauge for easy inspection of the operation pressure
4. The pump which is IPX5 waterproof standard certified, has built-in thermal protection

 **Emaux**
water technology

FSCO Filter System

Includes UV resistant cartridge filter tank

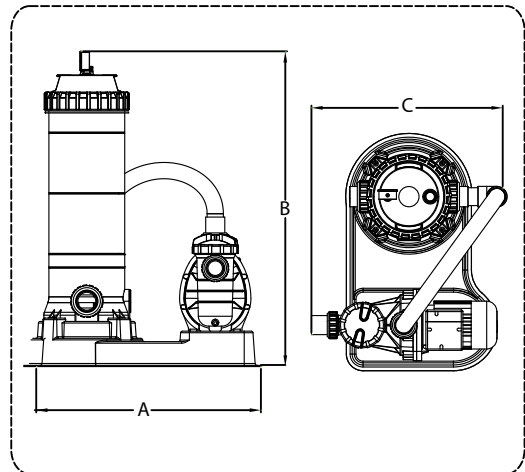
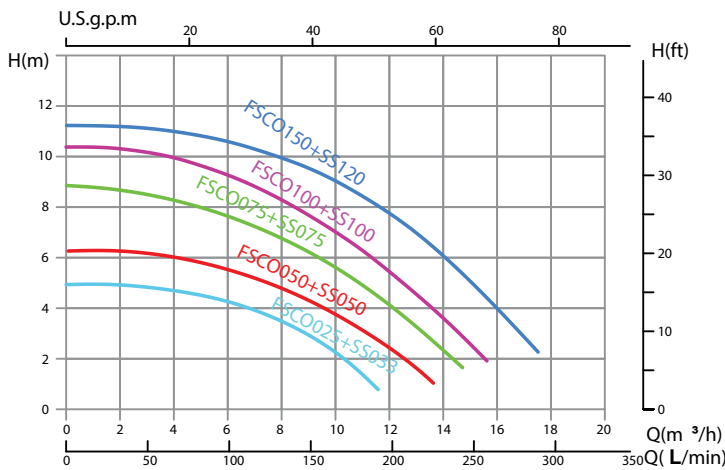
FSCO Series Filtration Combo

includes:

- 1) cartridge filter
- 2) cartridge filter element
- 3) SS Series Pump



Product Information and Dimensions



Code	Model	Cartridge Filter	Pump	Valve Connections	A (mm)	B (mm)	C (mm)
9071214	FSCO025+SS033	CF25	SS033	1.5" / 50mm	705	580	507
9071215	FSCO050+SS050	CF50	SS050	1.5" / 50mm	705	760	552
9071216	FSCO075+SS075	CF75	SS075	1.5" / 50mm	705	940	552
9071217	FSCO100+SS100	CF100	SS100	1.5" / 50mm	705	1120	552
9071218	FSCO150+SS120	CF150	SS120	1.5" / 50mm	705	1300	552

EMAUX WATER TECHNOLOGY CO., LTD

ADDRESS: Flat A-D, 20/F., Kai Bo 22, 22 Wing Kin Road, Kwai Chung, Hong Kong

PHONE +852 2832 9880

www.emauxgroup.com

Pool & Spa Equipment

YOUR PREMIER SUPPLIER

Available from:

ALL SPECIFICATIONS ARE SUBJECT TO CHANGE WITHOUT NOTICE
© 2021 EMAUX WATER TECHNOLOGY CO., LTD. ALL RIGHTS RESERVED.