

## Single-stage centrifugal pump for water recirculation and filtering

### Applications

Recirculation and filtering of water of medium swimming pools.  
Very quiet-running (LWA 75dB).  
Self-priming up to 4m.

### Materials

Pump body, foot, impeller, seal mounting, diffuser, suction and discharge in technopolymer.  
Pump shaft in AISI 431.  
ESPA mechanical seal.  
Motor casing in aluminium.  
O-rings in NBR.

### Equipment

Connection box V0 (self-extinguishing flame).  
P2 capacitor (10.000h).  
No cable, no plug.  
Metric unions included (suction 50/63mm, discharge 50mm).

### Motor

Asynchronous, 2 poles.  
IP 55 protection.  
Class F insulation.  
1~: Thermal protection included.  
Continuous operation.

### Limitations

Maximum water temperature: 40° C.



**Request for imperial unions (suction 1<sup>1/2</sup>" / 2", discharge 1<sup>1/2</sup>" )**

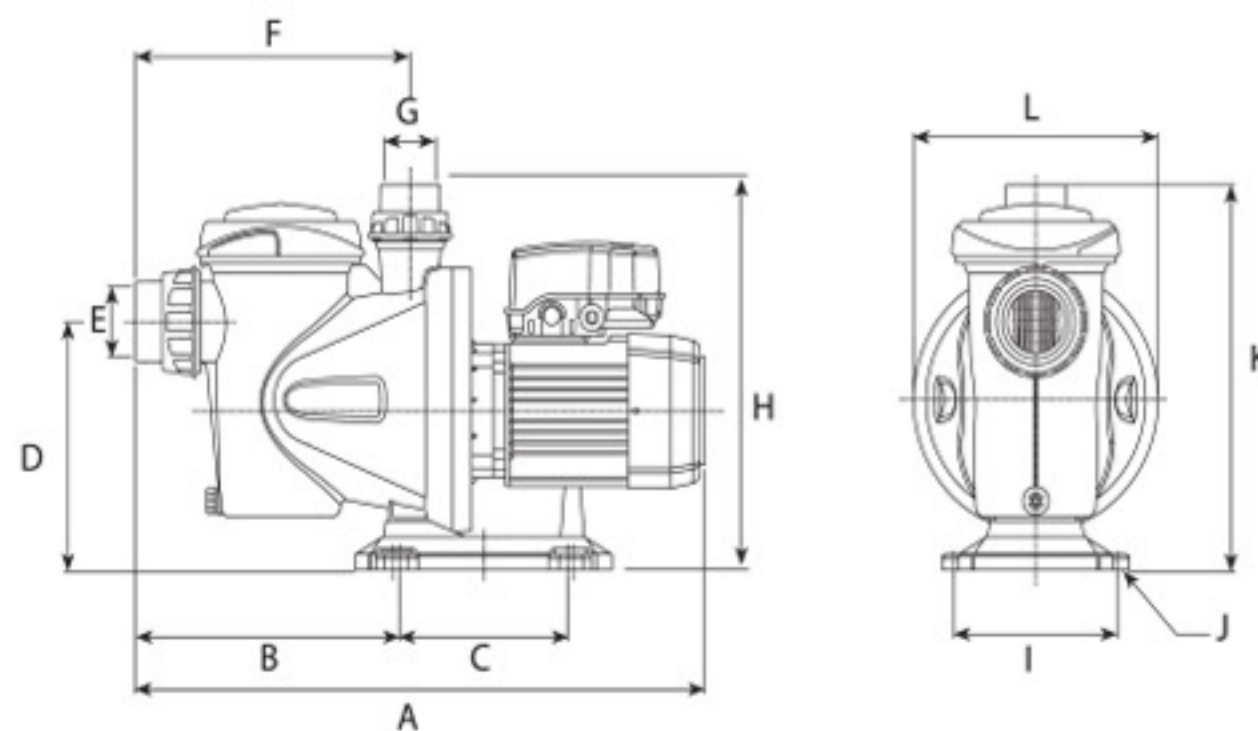
### Hydraulic performance table

Model	I [A]			P1 [kW]		P2		c [µF]	*Pool volume [m³]	V/min m³/h									Code	
	1~ 230V	3~ 230V	3~ 400V	1~	3~	[kW]	[HP]				40	80	120	160	215	265	325	400	1~230V	3~230V/400V
Silen S 60	3,7	2,4	1,4	0,8	0,8	0,44	0,6	16	90	mwc	13,6	13,2	12,6	10,9	6,7	-	-	-	203147	203151
Silen S 75	5,5	3,3	1,9	1,2	1,0	0,55	0,75	16	110		15,2	15	12,5	13,1	9,9	6	-	-	203148	203152
Silen S 100	6,0	3,8	2,2	1,4	1,2	0,75	1,0	16	125		16,9	16,5	16	15	12,9	10	5,9	-	203149	203153
Silen S 150	7,1	4,8	2,8	1,6	1,6	1,1	1,5	25	150		18,6	18,2	17,7	16,9	15,1	13	10	5,1	203150	203154

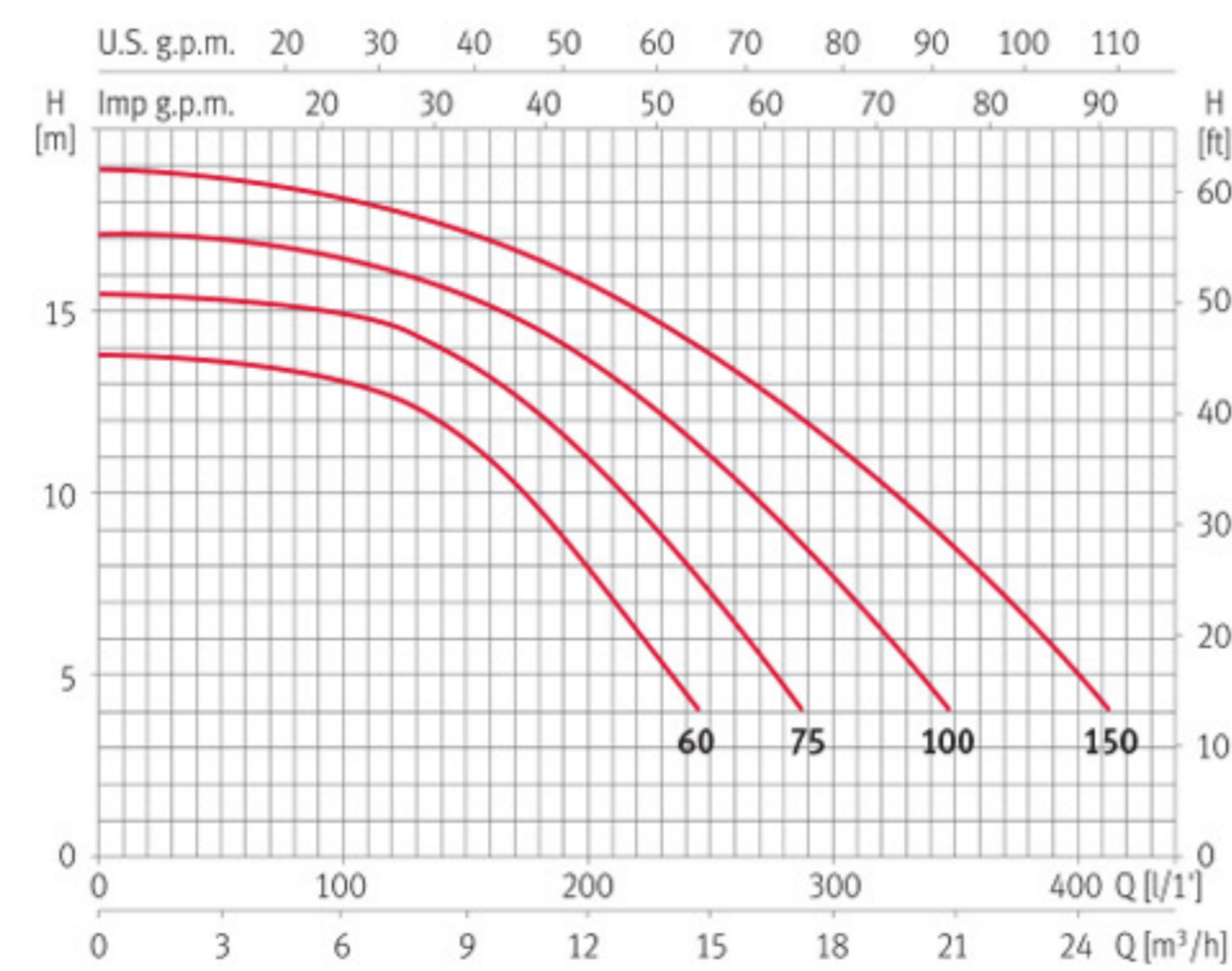
\*Considering water circulation of 8 h/day

### Dimensions and weights

Model	A	B	C	D	E	F	G	H	I	J	K	L	Kg
Silen S 60	495	211	170	225	2 1/4"	225	2 1/4"	308	159	Ø9	319	238	8,9
Silen S 75	495	211	170	225	2 1/4"	225	2 1/4"	308	159	Ø9	319	238	10,2
Silen S 100	495	211	170	225	2 1/4"	225	2 1/4"	308	159	Ø9	319	238	10,9
Silen S 150	495	211	170	225	2 1/4"	225	2 1/4"	308	159	Ø9	319	238	13,5



### Performance curves at 2900 rpm



Swimming pool



\*Espa 2025 SL guarantees all its products against production defects for 2 years from the invoice date of the product. Warranty would not be considered if the product is damaged due external causes such as installation, misuse, poor maintenance, input supply outside of the operating range, damage due weather conditions or operation outside of predetermined conditions, components ordinary wear under normal operating conditions and damage caused by external agents.