

# Water Descent (WDA Series)

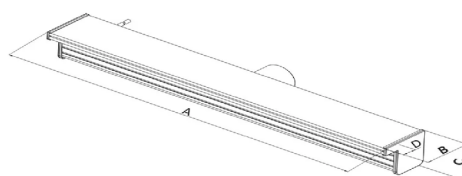
## Product Description

The water descent are suitable for installation on finished walls and new construction walls, as well as length and thickness of the wall. Product design unique, novel, beautiful; with the optional RGB LED strip, the unit provides you a colourful waterfall, which will bring elegance and visual interest to your life; Efficient to hide outlet, to a beautiful linear effect the water.

### Features:

1. The water descent can be widely used in the swimming pool, private garden, parks or gardens.
2. Four different lengths: 300 mm, 600 mm, 900 mm, 1200mm, and 1500mm.
3. Optional models: with or without RGB LED strip. Meet different use requirements.
4. The LED lights are powered by 12V DC, RGB light source are safe and reliable.
5. The LED lights can be operated through remote control, different light mode changes.

## Product Parameters



## Dimension

Model	A	B	C	D	LED	Type Of Wall Installation
	mm					
WDA300-25	300	138	79	25	----	Existing wall
WDA600-25	600	138	79	25	----	Existing wall
WDA900-25	900	138	79	25	----	Existing wall
WDA1200-25	1200	138	79	25	----	Existing wall
WDA1500-25	1500	138	79	25	----	Existing wall
WDA300-25L	300	138	79	25	DC 12V/4W	Existing wall
WDA600-25L	600	138	79	25	DC 12V/8W	Existing wall
WDA900-25L	900	138	79	25	DC 12V/12W	Existing wall
WDA1200-25L	1200	138	79	25	DC 12V/17W	Existing wall
WDA1500-25L	1500	138	79	25	DC 12V/22W	Existing wall

Inlet size: 1.5"/48.3mm



control box with transformer



control box without transformer



transformer



control board + controller

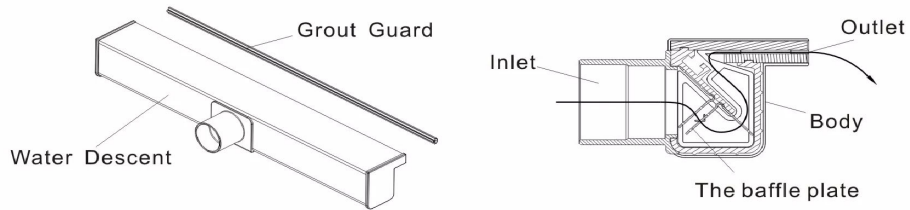
Product number	Model	Product description	Operating temperature	Input	Output	Transmitting distance
2051000006	WDACB-01	control box with transformer	-20°C+40°C	AC 100V/240V 50/60Hz	DC 12V 50W/100W	20M
2051000007	WDACB-02	control box without transformer	-20°C+40°C	AC 100V/240V 50/60Hz	DC 12V 50W/100W	20M
3050560043	WDATF-01	transformer	-20°C+40°C	AC 100V/240V 50/60Hz	DC 12V 30W	----
3050560044	WDATF-02	transformer	-20°C+40°C	AC 100V/240V 50/60Hz	DC 12V 60W	----
3050560045	WDATF-03	transformer	-20°C+40°C	AC 100V/240V 50/60Hz	DC 12V 120W	----
2051000008	WDACBC-01	control board+controller	-20°C+40°C	DC 12V 50/60Hz	DC 12V 50W/100W	20M

# Water Descent (WDA Series)

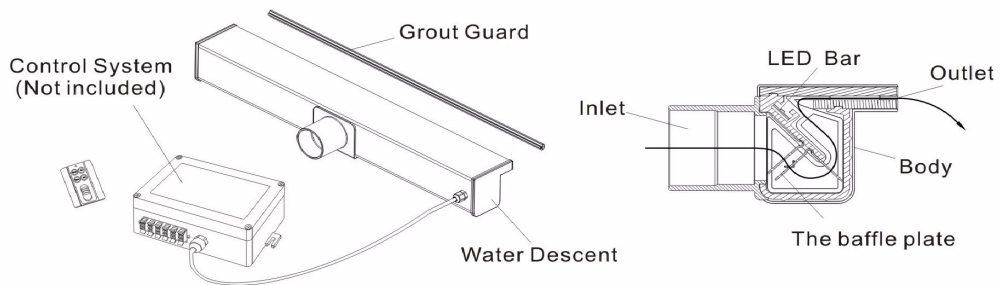
## Installation Instruction

### Specification

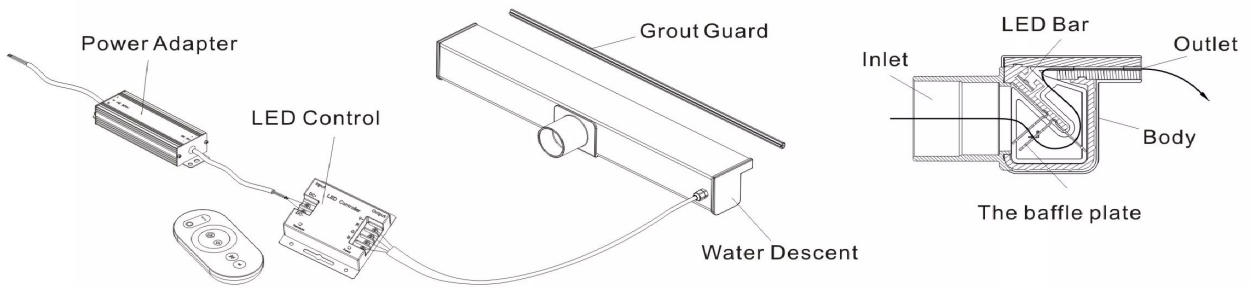
WDA300-25/WDA600-25/WDA900-25/WDA1200-25/WDA1500-25



WDA300-25L/WDA600-25L/WDA900-25L/WDA1200-25L/WDA1500-25L

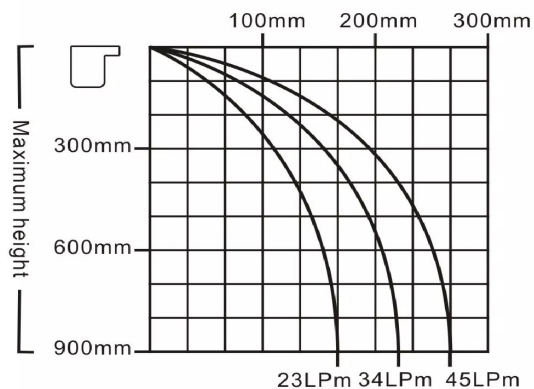


WDA300-25L/WDA600-25L/WDA900-25L/WDA1200-25L/WDA1500-25L



Must be mounted in a NEMA Approved waterproof enclosure.

Approximate Projection Of Sheet Of Water Per 300mm Of Waterfall Length



Waterfall Installation Icon Applies To Existing Wall Styles

