



BDP SERIES HIGH PERFORMANCE PUMP

BDP series high performance plastic centrifugal pump delivers high flow rates. It's designed for the commercial swimming pool, spa, waterfall and water features to achieve the maximum working efficiency with the lowest noise. Suitable for operation with salt chlorinators and sea water.

HIGHLIGHT FEATURES:

- High efficiency motors IE3.
- IPX5 waterproof standard.
- Asynchronous, Two poles.
- Insulation class: F.
- The advanced diffuser and high efficiency turbine maximize water flow and energy efficiency while minimizing turbulence and noise.
- Self-priming up to 3M above water level.
- Built-in thermal protection and overload protection.
- The oversized pre-filter basket(5L) extends the interval between cleanings.

MATERIAL:

- Pump Housing: PP+35% GF
- Filter basket: PP
- Shaft: 316L
- Mechanical Seal: stationary face-SIC, rotating face-Graphite, seal bellows-NBR, Spring-316L
- Impeller: PPO+30% GF
- Diffuser: PPO+30% GF
- Pump base: PP+30% GF



High Performance



IE3 Motor



Self-priming Up To 3m



บริษัท วินวิน เอ็นจิเนียริง ซัพพลาย จำกัด

7/11 ซ.01 กาญจนภิเษก 5/5 ถ.กาญจนภิเษก แขวงท่าแร้ง เขตบางเขนกรุงเทพฯ 10220

โทร. 02-989-1111, 02-130-6134-35 แฟกซ์ 02-130-6136 www.winwinpoolshop.com

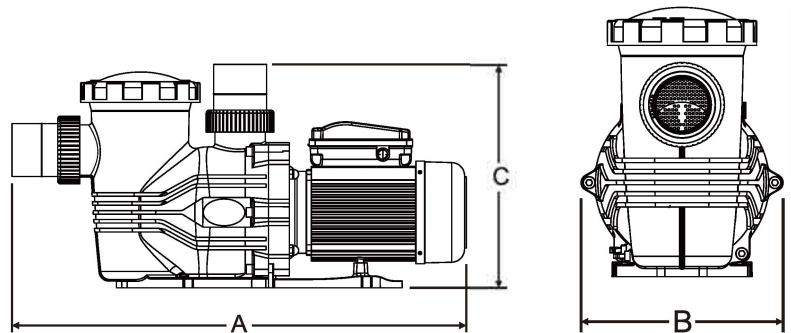
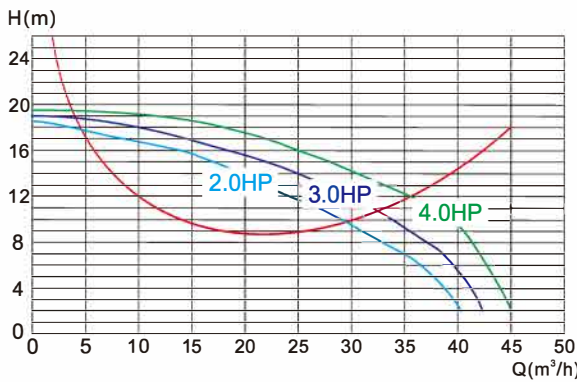
BDP SERIES HIGH PERFORMANCE PUMP

KEY FEATURES:

The advanced diffuser and high efficiency turbine maximize water flow and energy efficiency while minimizing turbulence and noise.



QH.CURVE OF THE PUMP:



PRODUCT INFORMATION & DIMENSION

Model	Horsepower (HP)	Phase	Rated Power (kW)	Voltage (V)	Current (AMP)	Connection Size	A (mm)	B (mm)	C (mm)	Optional Connection Size
WL-BDP200M	2	1	1.5	220	8.6	2" 63mm	685	280	370	2.5" 75mm
WL-BDP300M	3	1	2.2	220	10.6	2.5" 75mm	695	280	370	3"
WL-BDP200T	2	3	1.5	380	3.2	2" 63mm	685	280	370	2.5" 75mm
WL-BDP300T	3	3	2.2	380	3.8	2.5" 75mm	695	280	370	3"
WL-BDP400T	4	3	2.7	380	4.4	2.5" 75mm	710	280	370	3"

Note: with the product update, the parameters are slightly deviated without notice. Please take the physical parameters as the standard.