



Kontrol 65

The Kontrol 65-series are advanced controllers designed for high-end applications.

The units feature and independent proportional control output, probe quality checking and a variety of outputs.

The user has full programming authority.

TECHNICAL CHARACTERISTICS

Graphic display and Keypad

128 by 128 pixel resolution monochrome display with graphic icons to show the Relays status, digital output status, washing cycle, alarms.

Simultaneous flashing values for the numeric measurement, bar graph and temperature readings.

Five control keys for instrument calibration and configuration.

Enclosure Box and Multi-Power Supply

Wall mounting ABS plastic material IP65 Full box (144x144x122 mm)

Panel mounting ABS IP65 Front panel only (96x96x42 mm)

Powered from the mains 230Vac, 115Vac or 24Vac 50/60Hz, with a power consumption of 3,6VA, through a linear power supply.

Current outputs and Measure insulation

4÷20 mA output and Measure advanced insulation.

One independent programmable Output Measures with Proportional routine regulation.

Relay Outputs

Two independent relays, two set points, alarm remote and back washing probe setting by software.

On/Off, Timed and Proportional (PWM) routine function setting.

Solid State Relay (SSR)

One Frequency output signal, one set points.

Snail Lock fixing system

Quick connection for panel mounting version.

APPLICATIONS

- Waste water
- Fish farming
- Boilers
- Irrigation
- Dairy
- Drinking water
- Reverse osmosis
- CIP
- Cooling towers
- Galvanic process

PRODUCTS KEY

K	Kontrol						
	065	Series					
		PR	pH/ORP Probe				
		AP	Amperometric Chlorine Probe				
		FX	Flow Probe				
		CD	Electric Conductibility (Conductivity) Probe				
		MP	Modular Parameter ...CL2 / PAA / BR / H2O2 / O3 / TURB / O2 / ...Custom unit				
		P	Box Type 96x96				
		W	Box Type 144x144				
			H	230Vac, 115Vac o 24Vac			
				0	Optional none		
					000	Free	
K	065	PR	P	H	0	000	

MEASURE RANGE

Measure	Description	Accuracy
pH	0 ÷ 14 pH	± 0,10 pH
ORP	± 2.000 mV	± 5 mV
Conductivity	0,054 ÷ 200.000 µS	± 5 %
Flow Rate	0 ÷ 99.999 Liters/Sec.	± 0,5 Hz
Amp. Chlorine	0 ÷ 5 ppm	± 0,01 ppm
Pot. Chlorine	0 ÷ 200 ppm	± 0,01 ppm
PAA	0 ÷ 99.000 ppm	± 0,01 ppm
H2O2	0 ÷ 99.000 ppm	± 0,01 ppm
Ozone	0 ÷ 99.000 ppm	± 0,01 ppm
Bromine	0 ÷ 10 ppm	± 0,01 ppm
Temperature	0 ÷ 100°C (-32÷212 °F ±1,8°F)	± 1 °C

TECHNICAL SPECIFICATIONS FOR THE pH MEASURE

Measure Range	0.00 ÷ 14.00 pH
Resolution	± 0.01 pH
Accuracy	± 0.10 pH

TECHNICAL SPECIFICATIONS FOR THE ORP MEASURE

Measure Range	± 2.000 mV
Resolution	± 1 mV
Accuracy	± 5 mV

TECHNICAL SPECIFICATIONS FOR THE FLOWRATE MEASURE

Sensor	Hall, Reed or Push-Pull Sensor
Measure Range	0,5 Hz at 1500 Hz
Accuracy	± 0.5 Hz

TECHNICAL SPECIFICATIONS FOR THE mA MEASURE

Sensor	Current Sensor with 2 or 3 wires
Measure Range	0-20 mA or 4-20 mA
Resolution	± 10 µA
Accuracy	± 0,01 ppm

TECHNICAL SPECIFICATIONS FOR THE CONDUCTIVITY MEASURE

Probes	Range
Range with C 0.01 cm-1 / K 100 sensor	0.005 µS/cm to 200 µS/cm (5 KΩ x cm to 200 MΩ x cm)
Range with C 0.10 cm-1 / K 10 sensor	0.05 µS/cm to 2 mS/cm (500 Ω x cm to 20 MΩ x cm)
Range with C 0.20 cm-1 / K 5 sensor	0.1 µS/cm to 4 mS/cm (250 Ω x cm to 10 MΩ x cm)
Range with C 1.00 cm-1 / K 1 sensor	0.5 µS/cm to 20 mS/cm (50 Ω x cm to 2 MΩ x cm)
Range with C 10.0 cm-1 / K 0.1 sensor	5 µS/cm to 200 mS/cm (5 Ω x cm to 200 KΩ x cm)
Range with C 20.0 cm-1 / K 0.5 sensor	10 µS/cm to 400 mS/cm (2,5 Ω x cm to 100 KΩ x cm)
Resolution Cond/Res	0.0001 / 0.001 / 0.01 / 0.1 / 1 (adjustable from menu)
Accuracy Cond/Res	± 5% on the measuring point
Maximum distance of the sensor	up to 50 m (up to 164 ft)
TDS Range	0.3 to 2.0 ppm/µS

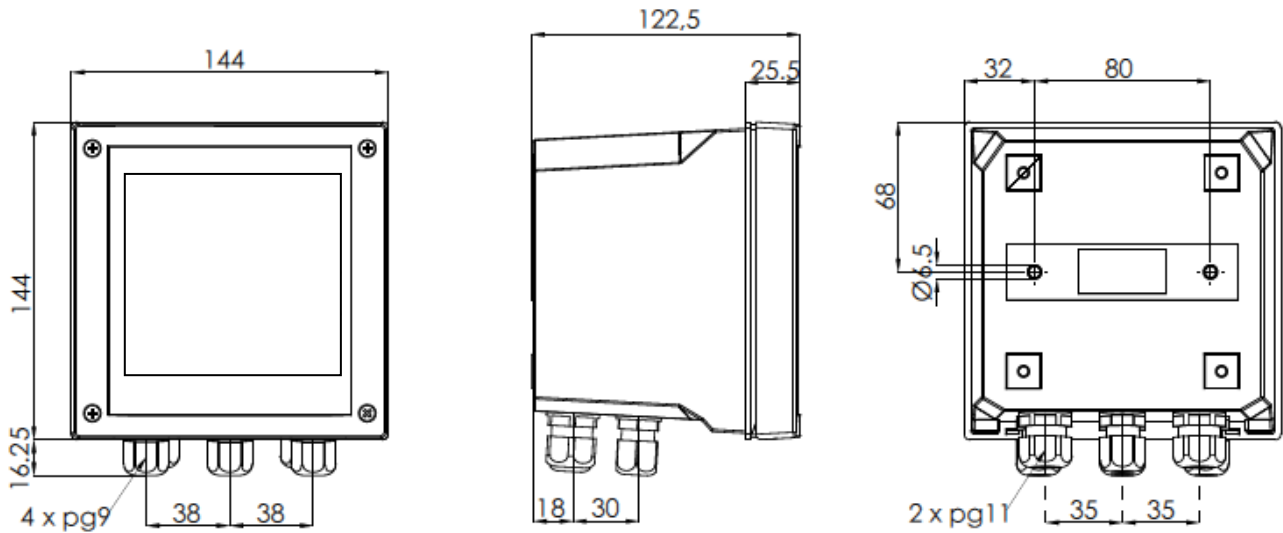
TECHNICAL SPECIFICATIONS FOR THE TEMPERATURE MEASURE

Sensor	PT100 / PT1000
Measure Range	0 ÷ 100 °C (+32 ÷ +212 °F)
Resolution	± 0.1 °C (°F)
Precision	± 1.0 °C (± 1.8°F)

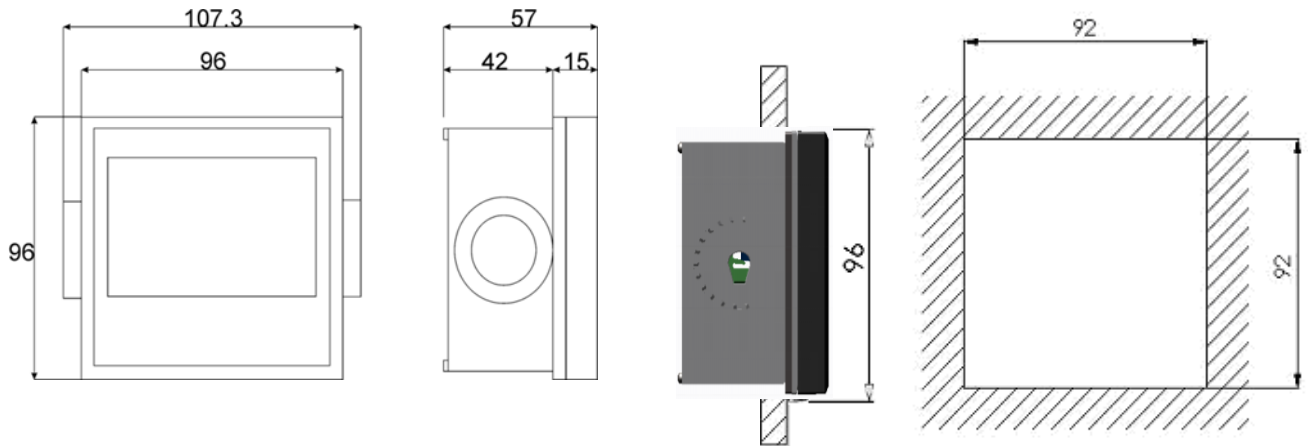
OPERATING SPECIFICATIONS

Power Supply	230Vac, 115Vac o 24Vac 50/60Hz
Power Consumption	3.6 VA through a linear power supply
Relay Outputs:	Mechanical 250 VAC/5A, 30 VCC/3 A
Alarms:	
Function	Delay, Faults and Min./Max
Delay time	1-3600sec
Threshold disabling	Enable / Disable
Relay function	Closed / Open
SSR (Solid State Relay)	2-SPST 60 VAC, max 100 mA, Bidirectional, NPN, PNP Frequency Output: 0 to 400 pulse/min Pulse Duration: 100 msec
HOLD Digital Input:	
Input Voltage	12-32 Vdc
Absorption	10mA max
Analog Outputs:	
Outputs	N.1 4-20mA Programmable
Maximum Load	500 Ohm
NAMUR Alarm Output	3.6 mA or 22 mA
Hold Alarm Value	

DIMENSIONS



- **Wall mounting size** (144x144x122,5 mm) - Dimensions and footprint for wall mounted device.



- **Panel mounting size** (96x96x42 mm) - Panel cutout and dimensions for Snail Lock System for panel mounted device.