



DISINFECTING EQUIPMENT



HQ/SQ
SALT CHLORINATOR

HQ/SQ SALT CHLORINATOR DISINFECTING EQUIPMENT

HQ/SQ salt chlorinator improves your pool water quality by using harmless table salt, instead of using harsh chemicals, it is reliable, low maintenance, much more safety to health. Easy and simple programming and fully automatic operation lets you enjoy a relaxed swimming time.

Salt chlorinators are an alternative means of sanitizing your pool with chlorine by electrolysis process. The electrolysis process is achieved by passing the salty water through an electrolytic cell, sodium chloride in the water is converted into chlorine to achieve pool water disinfection.



Titanium panels with fast, efficient and stable chlorine output

- Titanium panels with coating enable to generator chlorine fast, efficiently and stably.
- Cell housing is made of high strength and Corrosion-resistant PC, which prolong the life time.
- Detachable titanium panels are easy to install, clean and daily maintain.
- Two optional outlets make installation more convenient.

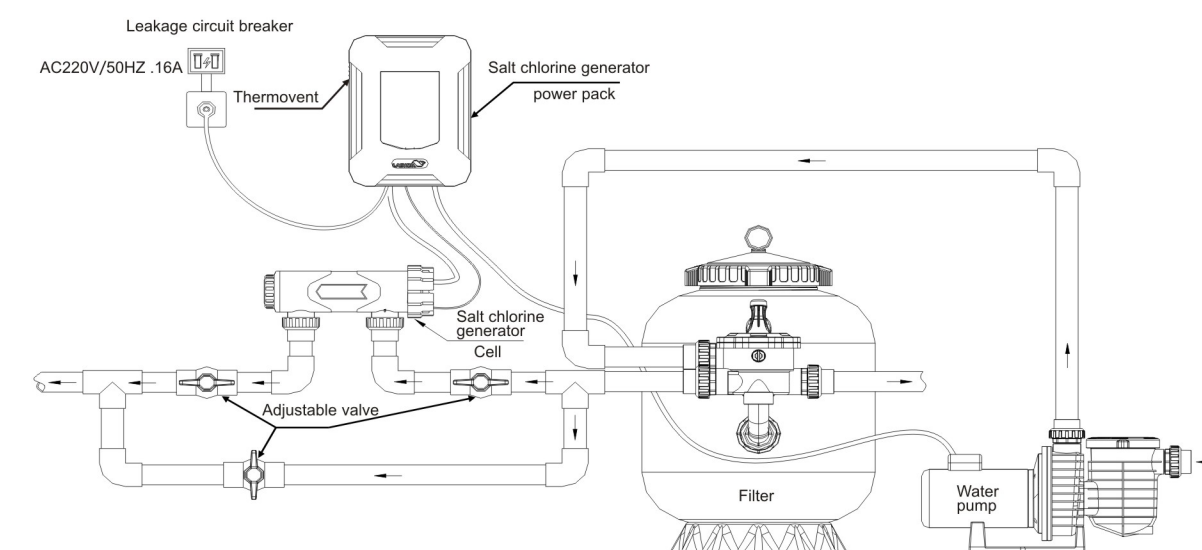
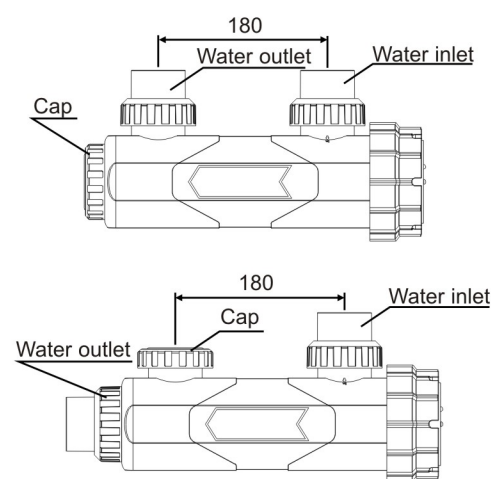
Features:

- Self clean function: by reverse the polarity automatically, which prevents calcium from accumulating and therefore prolong the cell's lifetime.
- Six different chlorine output control: easy adjustment of chlorine level, to meet demand of different time, this will save energy and environment friendly.
- HQ salt chlorinators are equipped with timer for pump and timer for underwater light.
- Smart cooling: the cooling intensity can be adjustment according to the temperature inside the control box.
- Protect from no adequate water causing the generator or cell destroyed.
- Two optional outlets make the installation more convenient.
- Overheat protection: prolong the control system life span.
- Detachable titanium panels are easy to install, clean and maintain.
- Alarm system: automatic protection for your system and pool if salt level is too low.
- Temperature sensor could be changed separately, reduce the maintenance cost.



HQ salt chlorinator control panel

Humanized design of two outlets



HQ salt chlorinators are equipped with timers for pump and underwater light.

Model	Electrolytic cell dimensions LxWxH (mm)	Max Chlorine Output (g/h)	Voltage (V)	Total power (W)	Pump power (Max)	Light power (Max)	Max Pool Volume (m ³)
HQ 20	365x260x140	16	AC220~240V	1.70KW	1.5KW/6.8A	AC12V/100W	68
HQ 30	365x260x140	25	AC220~240V	1.75KW	1.5KW/6.8A	AC12V/100W	105
HQ 40	365x260x140	33	AC220~240V	1.80KW	1.5KW/6.8A	AC12V/100W	140
HQ 50	365x260x140	42	AC220~240V	1.85KW	1.5KW/6.8A	AC12V/100W	175
SQ 20	365x260x140	16	AC220~240V	0.25KW	----	----	68
SQ 30	365x260x140	25	AC220~240V	0.25KW	----	----	105
SQ 40	365x260x140	33	AC220~240V	0.25KW	----	----	140
SQ 50	365x260x140	42	AC220~240V	0.25KW	----	----	175

Note:

- In practice, the local pool standards and professional habits should be considered, and the adjusting allowance of 20-30% should be reserved.
- For outdoor pool, cyanuric acid(stabilizer) should be added to pool water, the ideal range for cyanuric acid is 25-50ppm when used.

EC SALT CHLORINE GENERATORS DISINFECTING EQUIPMENT

The LASWIM EC Series Salt Chlorinator applied advanced micro-computer technology and customer oriented design, to provide the most energy saving and environmental friendly method to sanitize small and medium pools. To achieve this simple, smart and safe chlorine production, all the chlorinator require is only salt.

Featured Highlights:

- **Simple**
Easy installation, simple operation and maintenance.

- **Smart**
Smart adjustment
Chlorine output is adjustable from 20% to 100% by simply pressing two button, satisfying different needs for different pools.

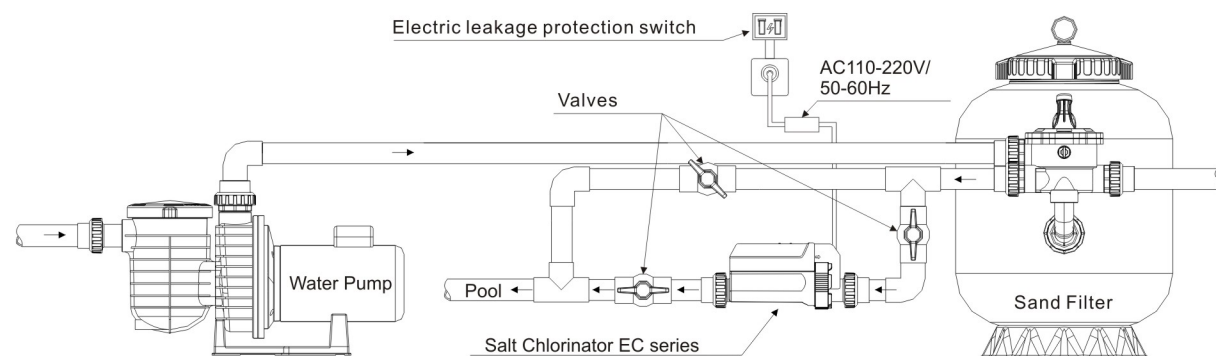
- **Smart cleaning**
Self-cleaning function by reversing the polarity automatically, which prevents calcium from accumulating and therefore prolong the cell's lifetime.

- **Smart alarm**
Fault auto alarm with error code, which is easy to find corresponding solutions.

- **Smart protection**
When the water temperature is too high or too low, the chlorinator will automatically stop running, in order to protect the unit and prolong the cell's life. The integrated sensors in the cell also ensure that water is adequate for safe chlorine generation.



- **Smart memory system**
Each time the chlorinator restarts, it can automatically initiate the last work status, with this smart memory function.
- **Safe**
Safe disinfection, safe water quality, and safe working voltage

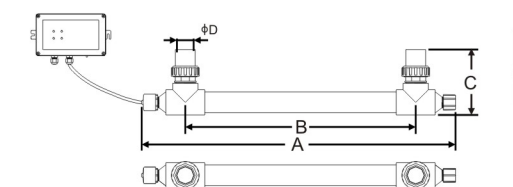


Model	Size (mm)	Working Voltage (V)	Working Current (A)	Max Chlorine Output (g/h)	Dia. of Water Inlet and Outlet	Max Pool Volume (m³)
EC 8	387x122x152	DC 24	4	8	1.5"/50mm	35
EC 12	387x122x152	DC 24	4	12	1.5"/50mm	50
EC 16	387x122x152	DC 24	4	16	1.5"/50mm	68
EC 20	387x122x152	DC 24	4	20	1.5"/50mm	85

Note: • In practice, the local pool standards and professional habits should be considered, and the adjusting allowance of 20-30% should be reserved.
• For outdoor pool, cyanuric acid (stabilizer) should be added to pool water, the ideal range for cyanuric acid is 25-50ppm when used.

UV STERILIZER DISINFECTING EQUIPMENT

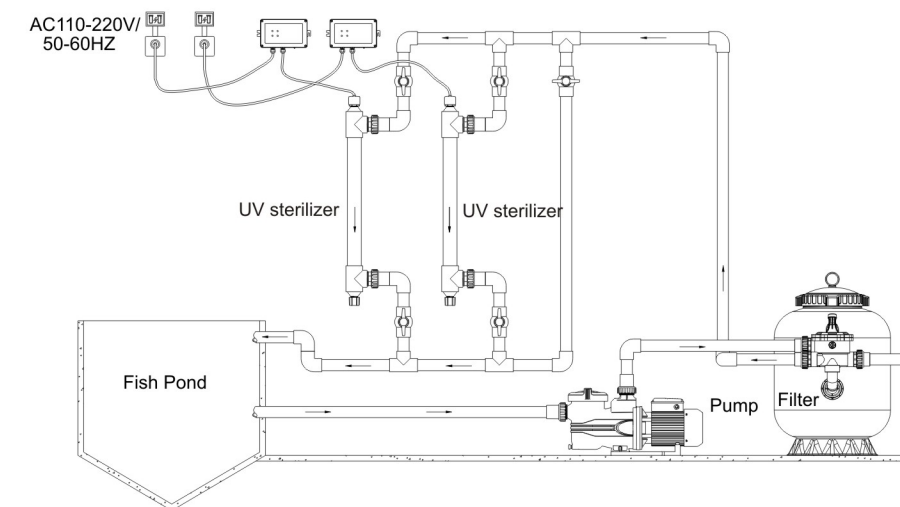
UV sterilizer is an effective product to destroy the genetic structure of bacterial and viruses, and inhibits their ability to multiply, rendering them harmless.



Features:

- High quality UV-C lamp that achieve 98% sterilization rate
- Durable UV-C lamp more than 8,000 hours life time
- High quality quartz Sleeve has more than 90% transmittance rate
- Available in 50Hz or 60Hz when request.
- Application in swimming pool and fish pond

A(mm)	900	900	1055	1200
B(mm)	662	662	817	962
C(mm)	235	235	235	235
E(mm)	101	101	101	101



Model	Power (W)	flow rate (m³/h)	Voltage (V)	Lamp quantity	Pipe size (inch/mm)	fish pond volume (m³)	pool volume (m³)
WL-UVD40	40	5	220	1	1.5" 50mm	15	30
WL-UVD80	80	8	220	1	1.5" 50mm	24	48
WL-UVD100	100	10	220	1	1.5" 50mm	30	60
WL-UVD120	120	12	220	1	1.5" 50mm	36	72

UV STERILIZER DISINFECTING EQUIPMENT

Features:

- Special safe design for public swimming pool and private pool. No risk to swimmer because of safety voltage of 12V.
- Different from the normal revolving design, it adopts particular buckle for UV tube to avoid its damage during installation.
- It uses purely physical method to sterilize the pool water, no chemical residue, non-corrosive, non-toxic side effect after sterilizing by UV sterilizer. No health hazards to human skin and body.
- Compared with CH and ozone generator, UV sterilizer is easy to install, economical and low maintenance too.
- A humanistic design to caution the working situation of UV sterilizer by LED light, and this make the repair and maintenance so easy.
- The sterilization rate of bacteria and virus could reach 99% to 99.9% within 2s, includes flu, hepatitis virus, coli, staphylococci, bacillus subtilis, etc.



WL-UV14×2



WL-UV14×18

Model	Size (mm)	Power (W)	Design Flow (m ³ /h)	Voltage (V)	Lamp Quantity	Inlet /Outlet (Inch)	Life	Ballast
WL-UV14×2	460×125×320	28	1.5 ~ 2	12	14W×2	1.5"	8000 ~ 10000	Inductance / Electron
WL-UV14×4	L700×Φ170	56	3 ~ 4	12	14W×4	1.5"	8000 ~ 10000	Inductance / Electron
WL-UV14×6	L700×Φ170	84	5 ~ 6	12	14W×6	1.5"	8000 ~ 10000	Inductance / Electron
WL-UV14×8	L700×Φ170	112	7 ~ 8	12	14W×8	1.5"	8000 ~ 10000	Inductance / Electron
WL-UV14×10	L700×Φ170	140	9 ~ 10	12	14W×10	1.5"	8000 ~ 10000	Inductance / Electron
WL-UV14×12	L700×Φ170	168	11 ~ 12	12	14W×12	2.0"	8000 ~ 10000	Inductance / Electron
WL-UV14×14	L700×Φ170	196	13 ~ 14	12	14W×14	2.0"	8000 ~ 10000	Inductance / Electron
WL-UV14×16	L700×Φ170	224	15 ~ 16	12	14W×16	2.0"	8000 ~ 10000	Inductance / Electron
WL-UV14×18	L700×Φ170	252	17 ~ 18	12	14W×18	2.0"	8000 ~ 10000	Inductance / Electron
WL-UV14×20	L700×Φ170	280	18 ~ 20	12	14W×20	2.0"	8000 ~ 10000	Inductance / Electron

UV STERILIZER DISINFECTING EQUIPMENT

Ultraviolet is accepted all over the world as a reliable, cost-effective and above all environmentally friendly aquarium water disinfection solution.

UV-C radiation destroys the genetic structure of bacteria and Viruses, and inhibits their ability to multiply, rendering them harmless.

Features:

- Physical sterilization, no side effects, no secondary pollution.
- Simple, efficient, small occupation.



Thread connection



Flange connection

WL-UVC series full flow ultraviolet disinfectant device uses a special made high power ozone free ultraviolet germicidal lamp. The device is also equipped with a micro carbon austenite stainless steel barrel with a specially processed interior, while the exterior of the barrel is also specially polished. The result of this is the water passing the barrel would be radiated and receive 253.7nm (UVC) of ultraviolet with passing through the barrel, providing a excellent disinfectant effect.

Features:

- The reactor use 304 polished stainless steel, the smooth interior leaves no blind spot for sterilization.
- The ultraviolet light tube is equipped with a quartz sleeve, to ensure optimal working temperature.
- The electrical configuration of the device is suitable to most electrical specifications.
- Special exterior design makes the device convenient to use.
- All rounded sterilization, highly efficient, sterilization rate up to 99.9%.
- High output, physical sterilization, no side effects, no secondary pollution.
- The amount of water that can be sterilized ranges from 5.5-250T/H. The device adapts to swimming pools, spa and water parks of various sizes.



UV STERILIZER DISINFECTING EQUIPMENT

Model	Power (W)	Rated flow (m ³ /h)	Working voltage (V)	Cabinet	Cabinet size L×D×H (mm)	Control box		Lamp power W x Qty	Inlet & outlet diameter DN
						With/without	Material		
WL-UVCn-78	78	5.5	220V/50Hz	304SS	930×108×720	With	Painted carbon steel	39W×2	Dn32 screw
WL-UVCn-160	160	12	220V/50Hz	304SS	930×108×720	With	Painted carbon steel	80W×2	Dn50 screw
WL-UVC-240	240	20	220V/50Hz	304SS	930×159×780	With	Painted carbon steel	80W×3	Dn65
WL-UVC-320	320	25	220V/50Hz	304SS	930×159×780	With	Painted carbon steel	80W×4	Dn80
WL-UVC-465	465	35	220V/50Hz	304SS	1630×219×830	With	Painted carbon steel	155W×3	Dn100
WL-UVC-620	620	45	220V/50Hz	304SS	1630×219×830	With	Painted carbon steel	155W×4	Dn80 or 100
WL-UVC-775	775	60	220V/50Hz	304SS	1630×219×1080	With	Painted carbon steel	155W×5	Dn150
WL-UVC-930	930	80	220V/50Hz	304SS	1630×325×1180	With	Painted carbon steel	155W×6	Dn150
WL-UVC-1280	1280	90	220V/50Hz	304SS	1630×325×1180	With	Painted carbon steel	320W×4	Dn150
WL-UVCP-1085	1085	100	220V/50Hz	304SS	1630×325×1180	With	Painted carbon steel	155W×7	Dn150
WL-UVCP-1395	1395	125	220V/50Hz	304SS	1630×325×1200	With	Painted carbon steel	155W×9	Dn150
WL-UVCP-1600	1600	110	220V/50Hz	304SS	1630×325×1400	With	Painted carbon steel	320W×5	Dn150
WL-UVCP-1705	1705	150	220V/50Hz	304SS	1630×325×1500	With	Painted carbon steel	155W×11	Dn200
WL-UVCP-1920	1920	130	220V/50Hz	304SS	1630×325×1500	With	Painted carbon steel	320W×6	Dn150
WL-UVCP-2240	2240	150	220V/50Hz	304SS	1630×377×1500	With	Painted carbon steel	320W×7	Dn200
WL-UVCP-2560	2560	180	220V/50Hz	304SS	1630×377×1500	With	Painted carbon steel	320W×8	Dn200
WL-UVCP-2880	2880	200	220V/50Hz	304SS	1630×377×1500	With	Painted carbon steel	320W×9	Dn200
WL-UVCP-3840	3840	250	220V/50Hz	304SS	1630×426×1500	With	Painted carbon steel	320W×12	Dn250

Note: • Lamp service life ≥9000H

- UVCn: thread connection; UVC: flange connection; UVCP: flange connection; all the control box are painted carbon steel.
- Can be equipped with manual cleaning device, automatic flushing device, or advanced online monitoring instrument and remote control system.



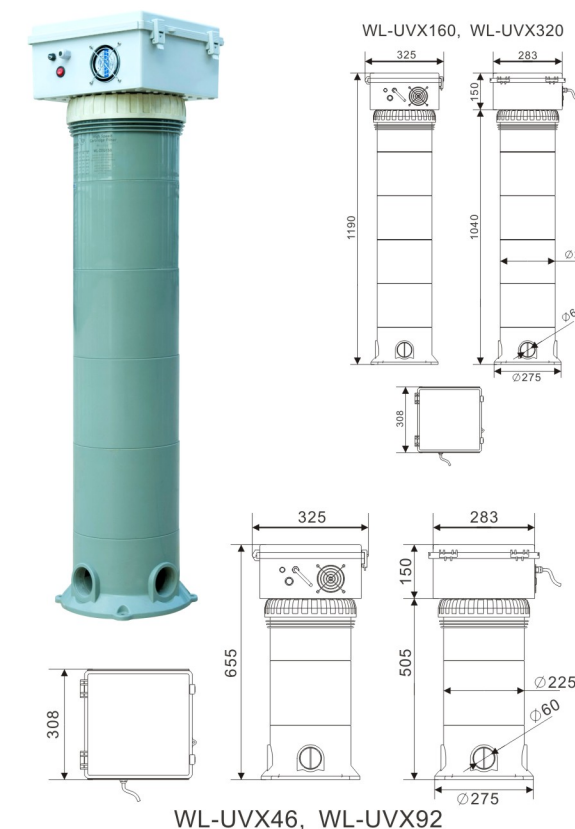
UVX SERIES UV STERILIZER FOR SEAWATER DISINFECTING EQUIPMENT

Specially designed for sea water environment. The housing is made of high quality PVC, which is anti-corrosion and durable. Equipped with UV-C lamp and high purity quartz sleeves for high efficient and long term sterilization. The disinfection process is fully closed, with sound and light alarm device, no chemical reaction and by-products.

Advantages:

- High quality UV-C lamp which can achieve 99% sterilization rate.
- Stable and accurate dosage, service life of lamp is more than 10,000 hours.
- Excellent quartz tube provides transmittance over 99%.
- Safe and reliable operation, simplified operation and reduced maintenance.

Model	Flow rate (m ³ /h)	Total power (W)	Voltage (V)	Connection size (mm)
WL-UVX46	5	46	220/50Hz	DN63
WL-UVX92	8	92	220/50Hz	DN63
WL-UVX160	15	160	220/50Hz	DN63
WL-UVX320	25	320	220/50Hz	DN63

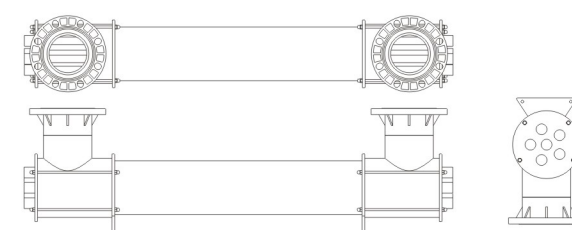


UVD SERIES UV STERILIZER FOR SEAWATER

The housing is made of PVC, the internal reactor is made of polished and passivated stainless steel, which is corrosion resistant and durable. Equipped with high quality UV lamps to ensure high efficient and long term sterilization. The disinfection process is fully closed, no chemical reaction and by-products. Suitable for aquarium, aquaculture, swimming pools, hot springs and other water environments.

Advantages:

- High quality UV-C lamp which can achieve 99% sterilization rate.
- Stable and accurate dosage, service life of lamp is more than 10,000 hours.
- Excellent quartz tube provides transmittance over 99%.
- Safe and reliable operation, simplified operation and reduced maintenance.

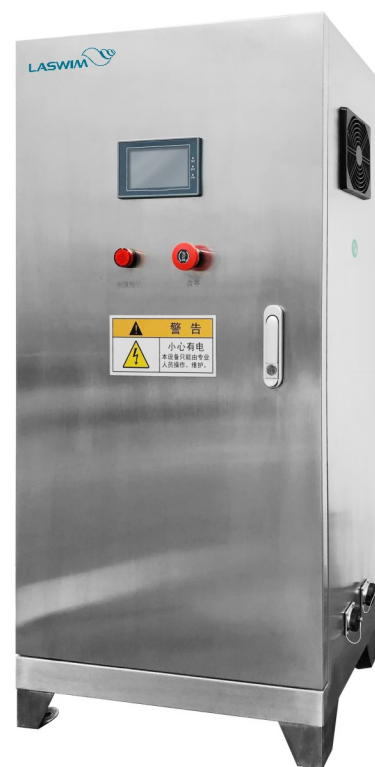


Model	Flow rate (m ³ /h)	Total power (W)	Voltage (V)	Connection size (mm)
WL-UVD300	25	300	220/50Hz	DN100
WL-UVD600	60	600	220/50Hz	DN150
WL-UVD900	80	900	220/50Hz	DN150
WL-UVD1200	100	1200	220/50Hz	DN200
WL-UVD1500	120	1500	220/50Hz	DN200
WL-UVD1800	140	1800	220/50Hz	DN200
WL-UVD2100	160	2100	220/50Hz	DN250
WL-UVD2400	180	2400	220/50Hz	DN250
WL-UVD2700	200	2700	220/50Hz	DN250
WL-UVD3000	250	3000	220/50Hz	DN300

MEDIUM PRESSURE UV STERILIZER DISINFECTING EQUIPMENT

Medium pressure UV is a very effective disinfection method. The energy output of medium-pressure UV is dozens to hundreds of times that of low pressure lamps. Its output wavelength range is wide, between 230nm and 370nm. All bacteria and viruses can be killed. While destroying the DNA structure of the microorganisms, it also breaks down the microorganisms into small fragments, which can permanently inactivate the chlorine-resistant microbial tissues, so that microorganisms completely lose the ability of regeneration and resurrection.

The use of medium pressure ultraviolet in swimming pool and other water environment can not only be used for disinfection, but also decompose chloramine, reduce disinfection by-products, and provide a comfortable and healthy water environment.



Advantages:

- **Wide range of sterilization**

Can permanently inactivate chlorine-resistant microorganisms, such as Legionella pneumophila, escherichia coli, pseudomonas, cryptosporidium, amoeba, bacteria and other disease-causing pathogens.

- **Strong sterilization effect**

Can avoid the occurrence of photoreactivation repair and dark repair of microorganisms' DNA, and has a permanent inactivation effect on microorganisms. There is no resurrection reaction and no flora rebound phenomenon.

- **No secondary pollution**

In the disinfection process, no toxic and harmful by-products will be produced, the composition and properties of the disinfected water will not be changed, and no secondary pollution to the water and the surrounding environment.

- **Continuous disinfection with large water flow**

At present, UV disinfection technology has reached the daily processing capacity of 1.5 million tons of water in practical applications, and it can be larger if necessary. This is not possible for the chlorine and ozone disinfection methods.

- **Low use cost**

The operation and maintenance of disinfection is simple, and the operation cost is very low.

- **Easy to install and operate**

Modular design, easy installation, suitable for complex installation on-site conditions, and will not damage the on-site equipment, pipelines and building structures. Can be installed directly to the pipelines, horizontal and vertical installation is optional.

- **Small footprint and no noise**

The medium-pressure UV sterilizer that processes 10,000 tons of purified water per day requires only 6m² of operating space.

- **Decompose residual chlorine in water and degrade compound chlorine**

It has the ability to degrade the chlorine, including monochloramine, dichloroamine, trichloroamine, etc., which effectively eliminates the production of the carcinogen trihalomethane and its impact on human body.

Features:

- **Medium pressure UV lamp**

Using medium pressure high-quality American imported Lightsources brand UV lamps with high power, reducing the quantity of lamps and can handle large water flow.

- **Temperature Probe**

Instantly detect the temperature of the water to ensure that the equipment runs at a working temperature of 0-45 degrees.

- **UV intensity probe**

The UV intensity monitor used in the medium pressure UV sterilizer only responds to specific UV wavelengths that have a sterilizing effect. It can be connected with a computer and PLC, which saves power consumption for the operation of the system.

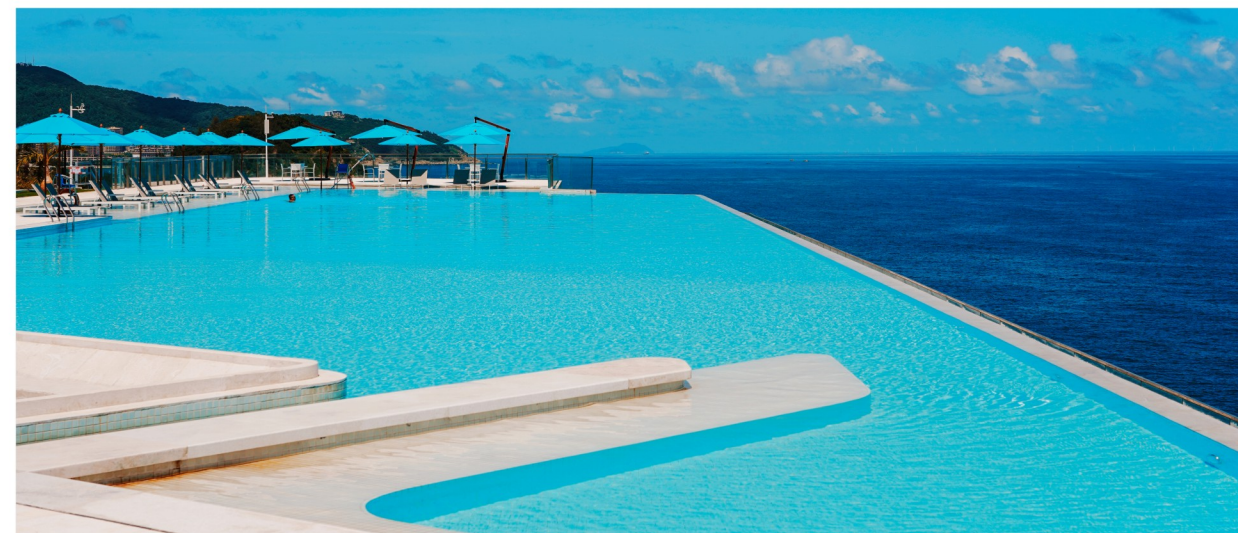
- **Quartz sleeve**

In order to better protect the UV lamps, there will be a quartz sleeve outside each UV lamp. The high-quality quartz sleeve can ensure that the transmittance of UV rays reaches more than 90%.

- **Daily cleaning**

Equipped with an automatic cleaning system, the quartz sleeve can be automatically cleaned regularly according to the reading of the UV intensity detector. During the cleaning process, the system runs normally, without water shut-off or manual participation, which greatly reduces the workload of on-site personnel.

Model	Disinfection power (KW)	Power of each lamp (KW)	Quantity of lamps (pcs)	Water volume (T/H)	Inlet and outlet size	Power supply
WL-UUVC-1/1.0KW	1.0	1.0	1	30-40	DN100	380V/50HZ
WL-UUVC-1/2.0KW	2.0	2.0	1	60-80	DN125	380V/50HZ
WL-UUVC-1/3.0KW	3.0	3.0	1	100-125	DN150	380V/50HZ
WL-UUVC-2/2.0KW	4.0	2.0	2	130-150	DN200	380V/50HZ
WL-UUVC-2/3.0KW	6.0	3.0	2	200-250	DN250	380V/50HZ
WL-UUVC-3/3.0KW	9.0	3.0	3	300	DN250	380V/50HZ
WL-UUVC-4/3.0KW	12.0	3.0	4	450-550	DN300	380V/50HZ
WL-UUVC-5/3.0KW	15.0	3.0	5	600-700	DN350	380V/50HZ
WL-UUVC-6/3.0KW	18.0	3.0	6	750-850	DN400	380V/50HZ
WL-UUVC-7/3.0KW	21.0	3.0	7	1000-1200	DN450	380V/50HZ



UVM SERIES UV STERILIZER FOR SEAWATER DISINFECTING EQUIPMENT

UVM series UV sterilizer is specially designed for sea water conditions, the reaction chamber is made of noncorrosive and high quality organic material, to ensure a long service life. This UV sterilizer has excellent performance of sterilization and water purification, non-toxic and harmless. It is an ideal solution for aquarium and aquaculture.

Advantages:

- Simple in-line chamber design for easy installation and maintenance.
- PVC plastic chamber is compatible for fresh water, seawater, chlorine feeder and salt chlorinator.
- Lamp service life: 9000-10000 hours of operation, approximate 12 months of continuous working.
- With over temperature protection, preventing damage from overheating.
- General operation and maintenance: Quartz sleeve is to be cleaned every 6-12 months and to be replaced every 24 months. UV lamp is to be replaced every year for continuing service.



Model	Flow rate (m ³ /h)				Product size (mm)	Connection size (inch)	Voltage (V)	Power (W)	Working pressure (kg/cm ²)	Working temperature (°C)
	16mj/cm ²		30mj/cm ²							
	UVT=80%	UVT=90%	UVT=80%	UVT=90%						
UVMS-1	4.86	5.56	2.60	3.05	D89*786	2	220	33	2.8	2-40
UVMS-2	9.27	10.85	4.97	5.76	D89*786	2	220	65	2.8	2-40
UVMS-3	12.43	14.56	6.55	7.68	D89*946	2	220	85	2.8	2-40
UVMS-4	15.6	18.53	8.36	9.83	D89*1241	2	220	120	2.8	2-40
UVMM-1	5.88	7.23	3.16	3.84	D114*810	2	220	33	2.8	2-40
UVMM-2	11.3	13.9	6.0	7.46	D114*810	2	220	65	2.8	2-40
UVMM-3	15.14	18.53	8.14	9.94	D114*970	2	220	85	2.8	2-40
UVMM-4	19.21	23.73	10.17	12.66	D114*1265	2	220	120	2.8	2-40
UVML-1	24.18	36.61	12.88	19.43	D219*988	2	220	85	2.8	2-40
UVML-2	30.51	46.1	16.16	24.86	D219*1288	2	220	120	2.8	2-40
UVML-3	-	-	19.05	-	D219*988	2	220	125	2.8	2-40
UVML-4	-	-	30.51	-	D219*1288	2	220	225	2.8	2-40

HIGH CONCENTRATION OZONE WATER GENERATOR DISINFECTING EQUIPMENT

DN-OWS high concentration ozone water generator offers the unique advance oxidation treatment of commercial pool water. The process combines the disinfection and oxidation properties of ozone and UV making the most advanced pool water purification system available.

Widely used in swimming pool and pond.

Benefits :

- It integrates power supply protection, current indication and Low water flow alarm functions
- Effective disinfection and safely lower free chlorine residual including chlorine resistant micro-organisms.
- Chloramines destruction reducing "red eye" and irritation of skin and respiratory system.
- Trihalomethane (THM) levels are minimised.
- Compact unit footprint suitable for small plant rooms.
- Designed for maximum operator and bather safety.
- Low installation cost-minimal connections required.
- Air-cooled design.
- The low water flow alarm and automatically power shutdown can effectively protect the equipment.
- Ozone water has high concentration and good sterilization efficiency.
- With UV germicidal lamp, double sterilization, better effect.
- With a concentration regulator, which can adjust the ozone output concentration according to needs.
- The Ozone generator has high conversion efficiency, low energy consumption, continuous operation and long service life.
- PSA technology to prepare oxygen.
- High intensity long life low pressure 8,000 hour UV lamps.



Model	DN-OWS-10G	DN-OWS-20G	DN-OWS-30G
Ozone Output	10g/h	20g/h	30g/h
Power Supply	220v/50Hz	220v/50Hz	220v/50Hz
Power Consumption	0.75kw	1.2kw	1.55kw
L x W x H	70*60*170cm	70*60*170cm	70*60*170cm
Weight	124.7kg	160kg	180kg
Flow Rate	2T/H	4.5T/H	7.5T/H
Ozone Water concentration	1-3ppm	1-3ppm	1-3ppm
Water Inlet	1"Male	1.5"Male	1.5"Male
Water Outlet	1.5"Male	1.5"Male	1.5"Male
Cooling	Fan	Fan	Fan
Feed Gas	Built-in Oxygen Generator	Built-in Oxygen Generator	Built-in Oxygen Generator
Material	Epoxy Coated Mild Steel	Epoxy Coated Mild Steel	Epoxy Coated Mild Steel

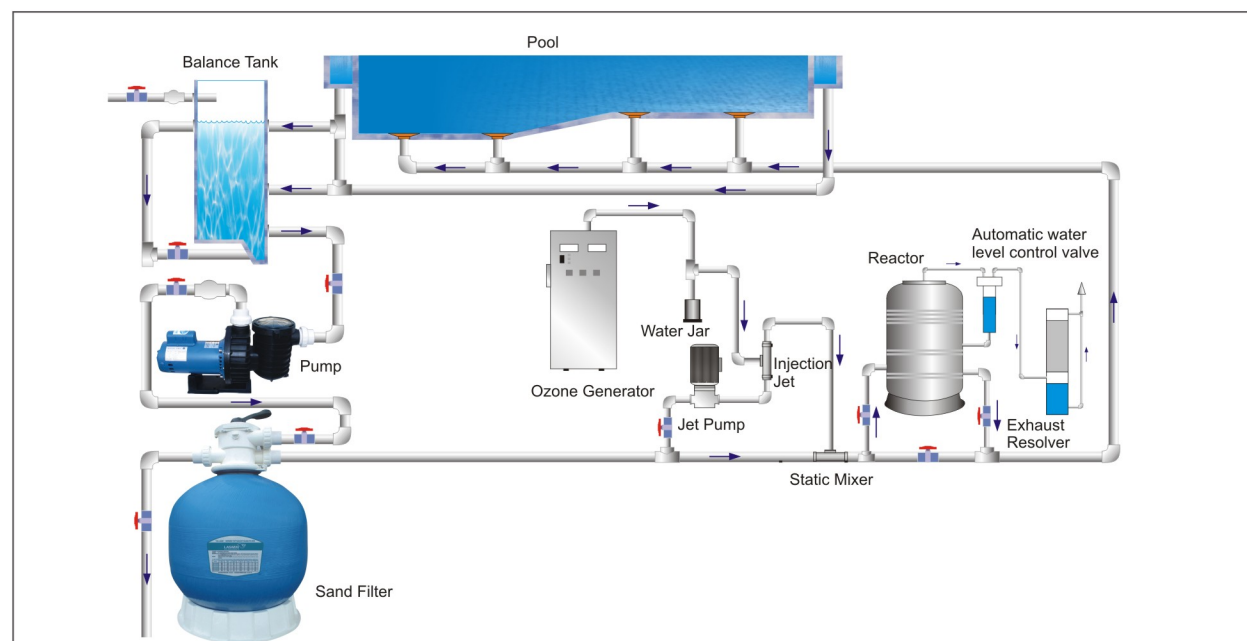
Note: with the product update, the parameters are slightly deviated without notice. Please take the physical parameters as the standard.

WALL-MOUNTED OZONE GENERATOR DISINFECTING EQUIPMENT

The wall-mounted ozone generator is suitable for disinfection and sterilization of individual space. Wall mount design is easier for ozone gas to reach anywhere for disinfection. It can be widely used in swimming pool and pond.

Advantages:

- Air cooling design.
- Microcomputer timer, the working time can be preset according to needs.
- The shell is designed with stainless steel, which is durable.
- The ozone generating tube has high conversion efficiency, low energy consumption, can work continuously, and has a long service life.
- Built-in anti-backwater solenoid valve.



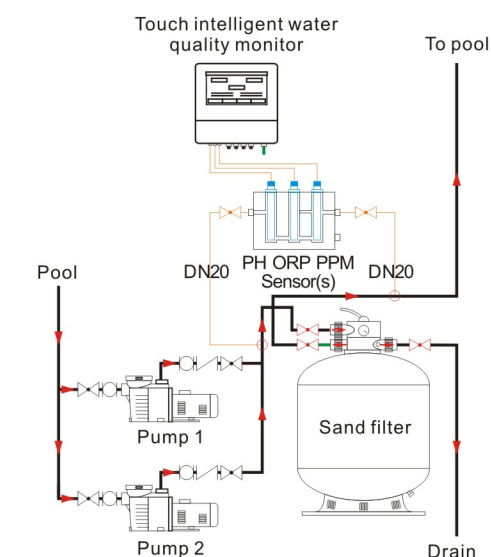
Model	DNA-3G	DNA-5G	DNA-7G	DNA-10G	DNA-15G	DNA-20G
Ozone Output	3G/Hr	5G/Hr	7G/Hr	10G/Hr	15G/Hr	20G/Hr
Power	60 W	80 W	120 W	140 W	250 W	270 W
Cooling Method	Air Cooled	Air Cooled	Air Cooled	Air Cooled	Air Cooled	Air Cooled
Outlet Diameter	4mm	4mm	4mm	4mm	10mm	10mm
Unit Weight	4kg	4.2kg	7.8kg	8.4kg	13.2kg	14.6kg
Disinfection Area	0-30m ²	0-50m ²	0-70m ²	0-100m ²	0-150m ²	0-200m ²
Dimension(L*W*H)	23*18*46cm	23*18*46cm	32*25*52.5cm	32*25*52.5cm	40*30*62cm	40*30*62cm
Feed gas	Clean And Dry Air(inner air pump)					
Voltage	110V/60Hz;220-240V/50Hz;220V/60Hz					

TOUCH INTELLIGENT WATER QUALITY MONITOR DISINFECTING EQUIPMENT

- Electrode plug and play, no conversion module is needed, three-point probe calibration, more precise data. Water quality parameter standards include European, Chinese and other national standards;
- Switch free between Chinese and English interfaces, more convenient to operate by full touch screen;
- Less failure, high accuracy, low maintenance.
- Can control 3 sets of dosing pump;

Installation Guide :

- Close the water valves at the front and back of the installation site to keep the installation section free of water, so as to avoid accidents.
- The water intake point shall be located behind the water pump and in front of the filter in the return water pipeline of the swimming pool. There is a certain pressure difference between the water inlet and the outlet to make the water flow through the flow trough. Use tools to drill a DN15 hole at this main pipeline or change it to DN15 through tee, and fix the DN15 ball valve at the water intake;
- Install the acrylic flow trough and the water quality monitor. Use the wall mounting method to connect the flow trough with the DN15 ball valve of the water intake through 6x4mm hose;
- The water outlet of the flow trough is directly discharged by pressure relief through 6x4mm hose (discharged to the water collecting well or returned to the equalization tank);
- Open the water valve to confirm whether there is water flow through the flow trough and the water flow is enough.



Technical Parameter

Product Model	WL-SZ1202
PH measurement	Electrode method , measurement range : 0 -14PH , measurement accuracy : <0.01PH , suitable temperature : 0-80 °C
ORP measurement	Electrode method, measurement range : 0~+1200mv , measurement accuracy : <2mv , suitable temperature : 0-80 °C
Input power	220-250V , 50/60Hz
Output	3 sets of dosing pump output (5A , 220V-240V)
Display	4.3-inch LCD screen
Operation	Touch
Outlook dimensions	200(height) x 235(width) x70 (depth) MM
Weight	1.7kg
Installation method	Wall-mounted
Housing material	Plastic
Protection grade	IP65
Working environment	Normal temperature and keep dry
Others	Built-in water quality standards. Support Chinese and English bilingual

Notes : Each machine corresponds to a pair of probes, not to be mixed up. Clean and calibrate the probe every 3 months.

METERING PUMP DISINFECTING EQUIPMENT



The metering pump is designed to inject chemicals into piping systems. All models are equipped with a side mounted mechanical flow rate adjustment knob. Optional on/off cycling timers are available.

Model	Strokes Per Minute	Maximum Chemical Flow (ml/m)	Maximum Pressure (kpa)	Power source
WL-AYB660P	60	290	420	220V/50Hz

CHEMICAL FEEDER



Features:

- No special venting required.
- Completely sealed, no escape of gas.
- Positive external, no-clog control valve.
- Feeder is designed to automatically lower the water level so tablets are not soaking during off period of pump. This allows more efficient use of tablets.
- No equipment damage. Feeds sanitizer directly to pool or spa.
- To prevent over feeding during use, completely close the control valve and the built in check valve will prevent chemical from being fed into pool or spa.
- All parts replaceable.
- Never connect with brass pipe.



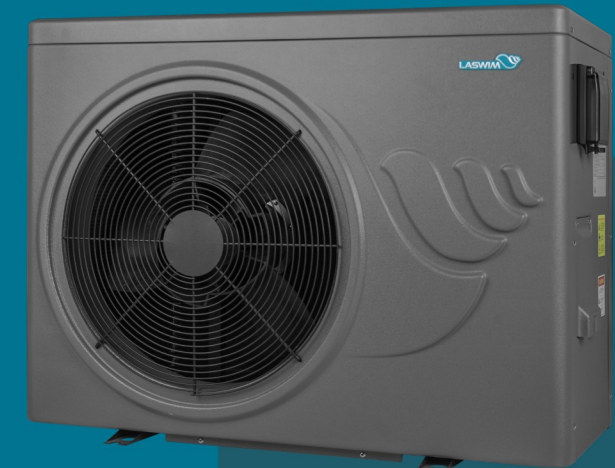
4.2lbs (1.9kgs) Inline Chlorine Feeder Body



Features:

- 9lb inline chlorine feeder.
- Chlorine feeder rate is adjustable by regulating the valve setting.
- Easy-lock cover for total tightness.

HEAT PUMP



SWIMMING POOL
HEAT PUMP